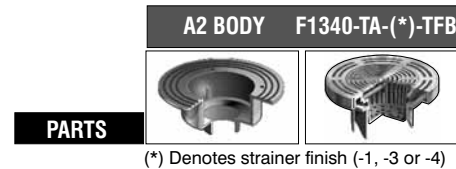
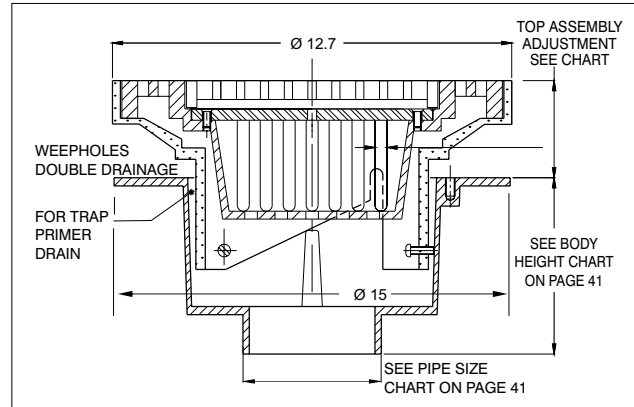
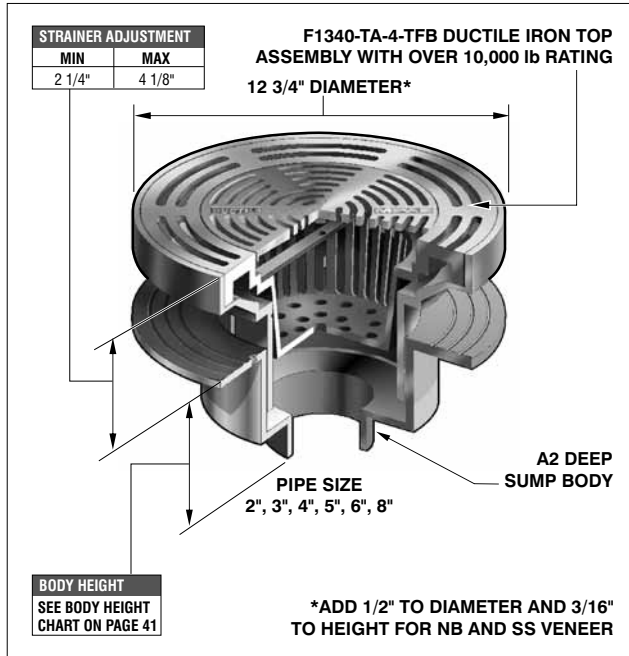


## F1340-TFB SERIES AREA DRAIN WITH 12" ROUND ADJ. HEAVY DUTY TRACTOR GRATE MOUNTED IN TRUE FIT BUCKET F1340-TFB SERIES



F1340-TFB SERIES

AREA DRAINS

### F1340-TFB AREA DRAIN WITH 12" ROUND ADJUSTABLE HEAVY DUTY TRACTOR GRATE WITH MEMBRANE CLAMP

MODEL NUMBER	WT. Lbs	STRAINER DESCRIPTION	LIST PRICE LACQUERED CAST IRON BODY WITH:		
			DUCTILE IRON (-4)	NICKEL BRONZE (-1)	STAINLESS STEEL (-3)
F1342,3,4,6,8-TFB	45.00	12" Dia. Adj. tractor grate	\$776.00	\$1148.00	\$1148.00

For F1352,3,4,6-TFB, add A3 body list price of \$431.00 to the above price. WHEN A MEMBRANE CLAMP IS REQUIRED, ADD SUFFIX (-C), NO ADD

### F1330C, F1340 AND F1340-TFB SERIES OPTIONAL VARIATIONS:

SUFFIX	DESCRIPTION	F1330C	F1340	F1340-TFB
-5	Sediment bucket	\$ 99.00	\$ 106.00	Standard
-6	Vandal proof secured grate (TR30 Torx and Pin)	\$ 76.00	\$ 76.00	\$ 76.00
-7	Trap seal primer tapping	\$ 77.00	\$ 77.00	\$ 77.00
-8	Backwater valve (BV1250 Series) (2", 3", 4")	\$ 195.00	\$ 195.00	\$ 195.00
-11	Acid resistant epoxy coating (Min. order 25 pcs. or P.O.A)	\$ 484.00	\$ 438.00	\$ 494.00
-12	Galvanized top assembly (Min. order 25 pcs. or P.O.A)	\$ 168.00	\$ 168.00	\$ 280.00
-13	All galvanized (Min. order 25 pcs. or P.O.A)	\$ 290.00	\$ 333.00	\$ 494.00
-15	Extension, Per 2"	\$ 71.00	\$ 124.00	\$ 124.00
-16	Square top	See F1430C series	See F1440 series	N/A
-20	Secondary dome strainer	\$ 71.00	\$ 71.00	\$ 71.00
-21	Secondary flat strainer (FD-9600 Series)	\$ 31.00	\$ 31.00	\$ 31.00
-24	Solid secured cover	P.O.A.	P.O.A.	N/A
-28	Stainless Steel Body (Type 304) (2", 3", 4")	P.O.A.	P.O.A.	P.O.A.
-30	PVC Socket Connection Body* (2", 3", 4")	No Add	No Add	No Add
-31	ABS Socket Connection Body* (2", 3", 4")	No Add	No Add	No Add
-32	2", 3", 4" Integral deep seal trap (MI-950 Series)	\$ 226.00	\$ 226.00	\$ 226.00
-34	Closure plug (C1440 Series)	\$ 187.00	\$ 187.00	\$ 187.00
-35	Stainless Steel mesh over bucket	P.O.A.	P.O.A.	P.O.A.
-40	Underdeck clamp (A2-C3)	\$ 124.00	\$ 124.00	\$ 124.00
-41	Sump receiver (A2-BP)	\$ 139.00	\$ 139.00	\$ 139.00
-90	Threaded side outlet (2", 3", 4")	\$ 190.00	\$ 190.00	\$ 190.00
-C	Membrane clamp (A2-C3)	Standard	No Add	No Add
-F4-(1,3)	4" NB or SS round funnel	\$ 218.00	\$ 218.00	\$ 218.00
-F4-50	4" cast iron round funnel	\$ 91.00	\$ 91.00	\$ 91.00
-F6-(1,3)	6" NB or SS round funnel	\$ 325.00	\$ 325.00	\$ 325.00
-F6-50	6" cast iron round funnel	\$ 147.00	\$ 147.00	\$ 147.00
-G-(1,3)	4" x 9" NB or SS oval funnel	\$ 454.00	\$ 454.00	\$ 454.00
-G-50	4" x 9" C.I. oval funnel	\$ 218.00	\$ 218.00	\$ 218.00
-J-(1,3)	3" x 1" NB or SS oval funnel	P.O.A.	P.O.A.	P.O.A.
-J-50	3" x 1" cast iron oval funnel	P.O.A.	P.O.A.	P.O.A.
P	Push on outlet (2", 3" or 4")	No Add	No Add	No Add
T	Threaded outlet (2", 3" or 4")	\$ 40.00	\$ 40.00	\$ 40.00
X	Inside caulk outlet (2", 3", or 4")	No Add	No Add	No Add
-Z	Extended wide elastomeric flange (20" dia. x 1/4" thick)	P.O.A.	P.O.A.	P.O.A.

\*PVC/ABS Socket bodies available for 2", 3", 4" connection sizes

Design and dimensions are subject to modification. Prices do not include applicable taxes. Visit [www.mifab.com](http://www.mifab.com) for the most recent product information.

MIFAB, Inc., 1321 West 119th Street, Chicago, Illinois 60643-5109, USA

Toll Free 1-800-465-2736, Fax 773-341-3049

All sales subject to MIFAB's Terms and Warranties. Please refer to inside front cover.