



MI-SADH

HIGH SECURITY ACCESS DOOR

Internet address: www.mifab.com

Toll Free: 1-800-465-2736

Canada Toll Free: 1-800-387-3880



SERIES MI-SADH

HIGH SECURITY ACCESS DOOR

DESCRIPTION

The MIFAB® MI-SADH high security access door is designed to provide security access, with the strength and durability to endure abusive and vandal-prone conditions, common in many institutions. It has a unique white finish.

SPECIFICATIONS

Material MI-SADH Series is 10 gage steel door and 1/4" (6) angle steel frame. The MI-SADH-SS stainless steel Series is 10 gage #304 stainless steel door and frame.

Finish Steel doors have a primed white finish. Stainless steel doors have a #4 brush satin finish.

Door Frame Flush to frame. 1/4" x 2" x 2" (6 x 50 x 50) angle steel, angle welded with joints ground smooth. The frame has pre-punched 1/4" (6) mounting holes for easy installation.

Hinge Two heavy duty butt hinges welded to the door and frame.

Latch Standard - Best Lock # 1E7D4-C228-RP3-626 with key. Optional - locks provided by others.

Packaging One door per carton.

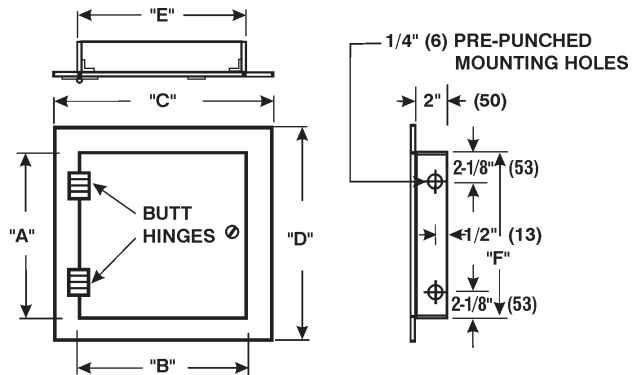
STANDARD SIZES (special sizes available upon request)

DOOR SIZE		WALL OPENING		SHIPPING WEIGHT		LATCHES
Inches	mm	Inches	mm	lbs.	kg.	
"B" x "A"	"B" x "A"	Inches	mm	lbs.	kg.	
12 x 12	305 x 305	12 1/2 x 12 1/2	318 x 318	29.0	13.1	1
16 x 16	406 x 406	16 1/2 x 16 1/2	419 x 419	37.0	16.8	1
18 x 18	457 x 457	18 1/2 x 18 1/2	470 x 470	42.0	19.0	1
24 x 24	610 x 610	24 1/2 x 24 1/2	622 x 622	59.0	26.8	1
24 x 36	610 x 914	24 1/2 x 36 1/2	622 x 927	78.5	35.6	2
24 x 48	610 x 1219	24 1/2 x 48 1/2	622 x 1232	96.0	43.6	2
36 x 36	914 x 914	36 1/2 x 36 1/2	927 x 927	102.0	46.3	2
36 x 48	914 x 1219	36 1/2 x 48 1/2	927 x 1232	126.0	57.2	2

A-B Door Size

C-D Overall Dimensions - Door Size - Plus 4" (100)

E-F Wall Opening - Door Size - Plus 1/2" (12)



OPTIONAL VARIATIONS:

Stainless steel

suffix -SS

(Dimension) Denotes Millimetres

NOTE: The hinge is always furnished on the "A" or height (longer) dimension, unless otherwise specified.