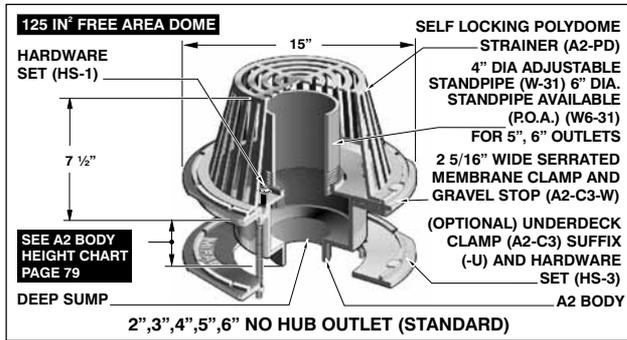


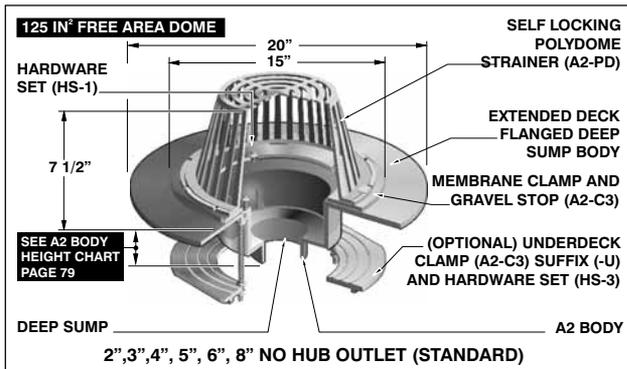
## R1200-W SERIES LARGE SUMP ROOF DRAIN WITH ADJUSTABLE INTERNAL STANDPIPE DAM R1200-W SERIES



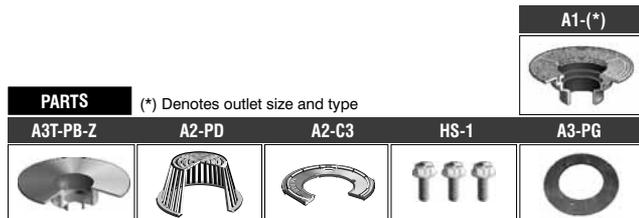
LACQUERED CAST IRON BODY WITH:				
MODEL NO.	WT Lbs.	OUTLET SIZE	POLY DOME (STANDARD)	CAST IRON (-M) DOME
R1202, 3, 4-W	22.00	2", 3", 4"	\$581.00	\$690.00
R1205, 6-W	23.50	5", 6"	\$738.00	\$847.00



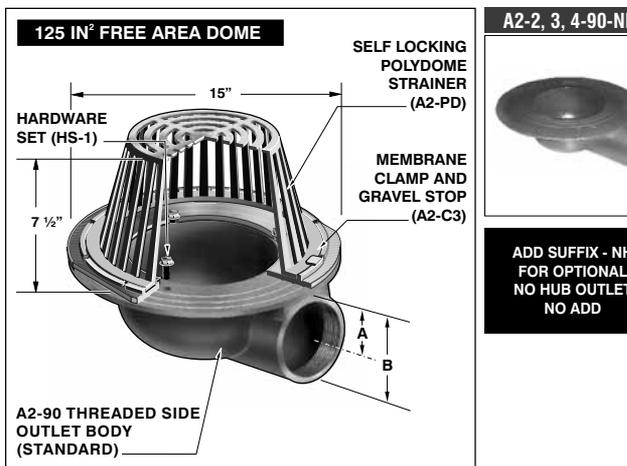
## R1200-Z SERIES LARGE SUMP DEXOTEX ROOF DRAIN WITH WIDE DECK FLANGE FOR LIQUID MEMBRANE ROOF R1200-Z SERIES



LACQUERED CAST IRON BODY WITH:				
MODEL NO.	WT Lbs.	OUTLET SIZE	POLY DOME (STANDARD)	CAST IRON DOME (-M)
R1202, 3, 4-Z	38.00	2", 3", 4"	\$1045.00	\$1154.00
R1205, 6-Z	38.00	5", 6"	P.O.A.	P.O.A.
R1208-Z	39.00	8"	P.O.A.	P.O.A.



## R1200-90 SERIES LARGE SUMP ROOF DRAIN WITH SIDE OUTLET R1200-90 SERIES



LACQUERED CAST IRON BODY WITH:				
MODEL NO.	WT Lbs.	OUTLET SIZE	POLY DOME (STANDARD)	CAST IRON (-M) DOME
R1202, 3, 4-90	28.50	2", 3", 4"	\$554.00	\$663.00

BODY HEIGHT				
PIPE SIZE	"B" BODY HEIGHT	"A" DIMENSION THREADED OUTLET	"A" DIMENSION NO HUB OUTLET	
2"	(51)	5 3/4" (146)	4 1/4" (108)	3 5/8" (92)
3"	(76)	5 3/4" (146)	3 3/4" (95)	2 3/4" (70)
4"	(102)	5 3/4" (146)	3 1/4" (83)	3" (76)

FOR R1200-90 OPTIONAL VARIATION PRICING SEE PAGES 84 + 85



\* PVC/ABS bodies available for 2", 3", 4" connection sizes only, no side outlet

\* Specify 2", 3", or 4" THREADED SIDE OUTLET BODY

R1200-W, R1200-Z, AND R1200-90 SERIES OPTIONAL VARIATIONS					
SUFFIX	DESCRIPTION	LIST PRICE	SUFFIX	DESCRIPTION	LIST PRICE
-6	Vandal proof dome (Metal dome only) (H-1029)	\$ 64.00	-G	Ballast guard (A2-BG)	\$ 405.00
-11	Acid resistant epoxy (Excluding polydome)	\$ 710.00	-HC	Adj. ballast guard with secondary clamp	\$ 529.00
-12	Galvanized metal dome (Min. order 25 pcs. or P.O.A.)	\$ 190.00	-JC	Ballast guard with secondary clamp	\$ 529.00
-12A	Galvanized body and membrane clamp (Min. order 25 pcs. or P.O.A.)	\$ 441.00	M-80	Low aluminum dome (4 1/4" high) (A2-MDL-80)	\$ 127.00
-13	Galvanized body, membrane clamp and dome (Min. order 25 pcs. or P.O.A.)	\$ 628.00	-P	Push on outlet, (2", 3", 4", 6") Specify POG-6 for C.I. pipe	No Add
-28	Stainless steel body (Type 304)	P.O.A.	-R	2" external water dam (A2-WD)	\$ 124.00
-30	PVC socket connection body* (2", 3", 4")	No Add	T	Threaded outlet, (2", 3", 4", 6")	\$ 40.00
-31	ABS socket connection body* (2", 3", 4")	No Add	-U	Underdeck clamp (A2-C3)	\$ 124.00
-81	Rough bronze dome (A2-MDL-81)	\$ 427.00	-U3	Underdeck clamp with cut away side (A2-C3-C0)	\$ 124.00
-83	Stainless steel mesh screen over dome (A2-SSD)	\$ 259.00	-V	Fixed extension, (2", 3", 4") (A2-V2, A2-V3 or A2-V4)	\$ 340.00
-90	Threaded side outlet (cast iron only), (2", 3", 4")	\$ 190.00	-VG	Galvanized fixed extension, (2", 3", 4")	\$ 522.00
-90NH	No hub side outlet (cast iron only), (2", 3", 4")	\$ 190.00	-W	Adjustable water dam (5" high x 4" Diameter) (W-31)	\$ 217.00
-B	Sump receiver (A2-BP) (A2-BP-90 for R1200-90 Series)	\$ 139.00	-W-1	Water proofing flange (A2-W-1)	\$ 217.00
-C	Secondary clamp (A2-C3)	\$ 124.00	-W2	2" internal water dam (A2-C3-W and W-31)	\$ 217.00
-E	Adjustable extension (see page 72, point #7)	\$ 363.00	-W3	3" internal water dam (A2-C3-W and W-31)	\$ 217.00
-EG	Galvanized adjustable extension	\$ 548.00	-W4	4" internal water dam (A2-C3-W and W-31)	\$ 217.00
-F1, -F2, -F3	Accuflow (parabolic weir) (A2-F1, A2-F2, A2-F3)	\$ 632.00	X	Inside caulk outlet (2", 3", 4", 6")	No Add
			-Z	Extended wide flange (20" dia. x 1/4" thick)	P.O.A.

Design and dimensions are subject to modification. Prices do not include applicable taxes. Visit [www.mifab.com](http://www.mifab.com) for the most recent product information.

MIFAB, Inc., 1321 West 119th Street, Chicago, Illinois 60643-5109, USA

Toll Free 1-800-465-2736, Fax 773-341-3049

All sales subject to MIFAB's Terms and Warranties. Please refer to inside front cover.