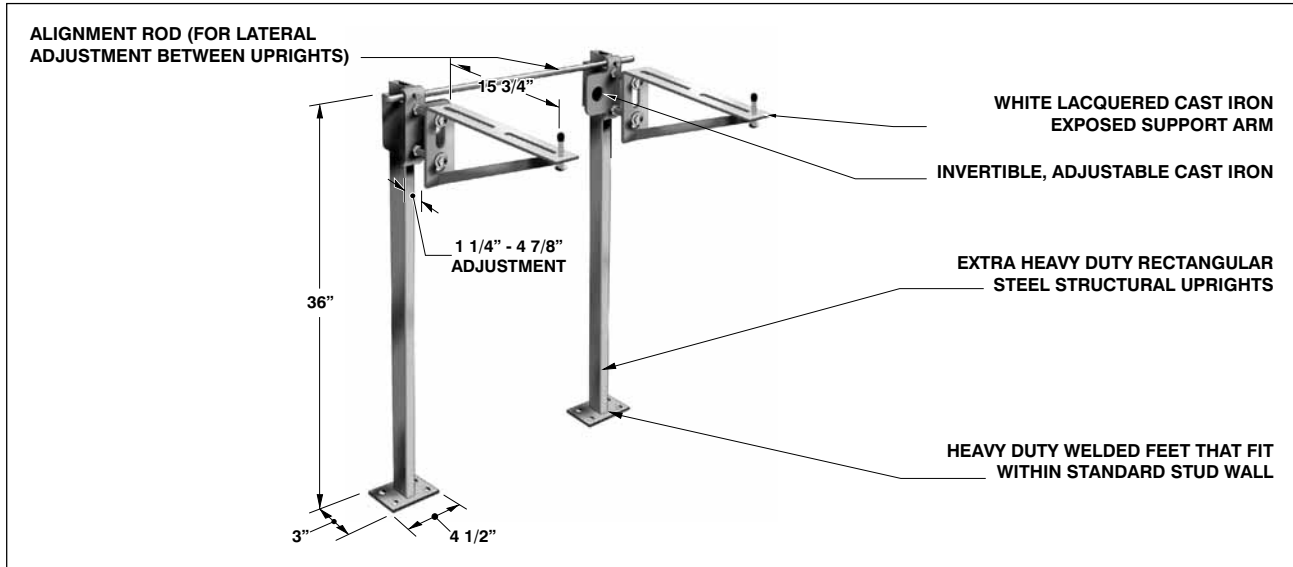


MC-40 SERIES FIXTURE CARRIER WITH EXPOSED ARMS



NOTE: foot supports should be securely anchored to floor with 1/2" bolts and anchors by others

MODEL NO.	WT Lbs.	DESCRIPTION	LIST PRICE
MC-40	36.00	Exposed arms with two vertical uprights	\$ 689.00
MC-40D	55.00	Exposed arms - back to back (Note: option prices are doubled for MC-40D)	\$ 1081.00

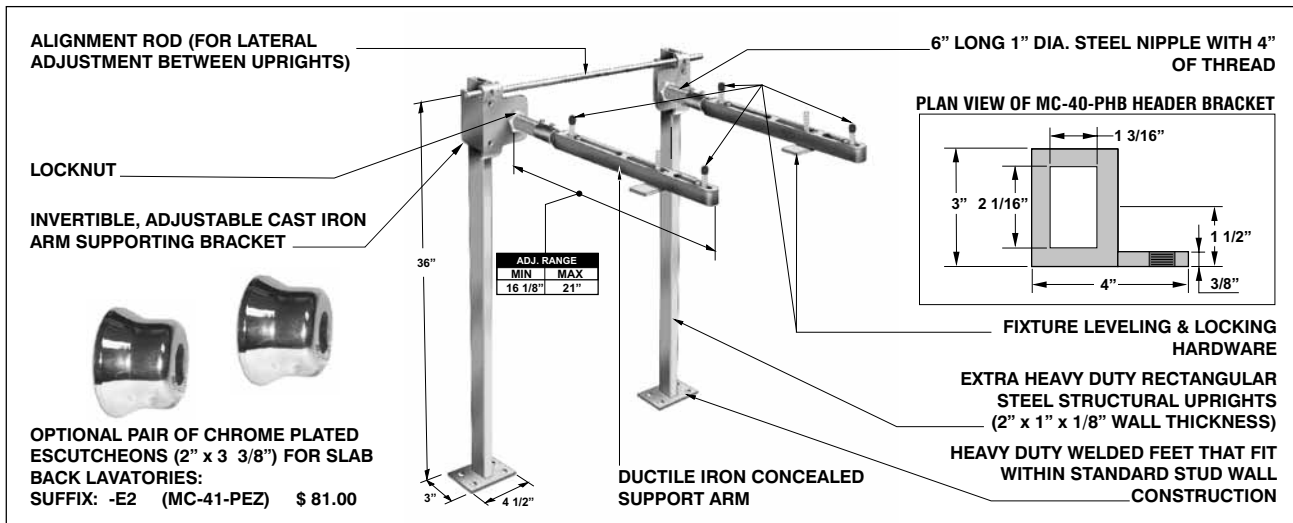
MC-40 SERIES OPTIONAL VARIATIONS:

SUFFIX	DESCRIPTION	LIST PRICE	SUFFIX	DESCRIPTION	LIST PRICE
-14	Vandal proof finish trim	\$ 64.00	-G	Wall support plate, per plate (MC-31-PUP)	\$ 73.00
-32	Foot pedal mounting plate	\$ 64.00	-I	3/8" Threaded eye bolts for cast iron lavs	\$ 73.00
-A	Stud length over 8" (specify), add per inch	\$ 25.00	-PF	Prefabricated carrier bank (per carrier)	\$ 56.00
-F	Bar support valve plate	\$ 73.00	-Z	Add per each foot over 3" of upright	\$ 192.00

CARRIERS

MC-41 SERIES FIXTURE CARRIER WITH CONCEALED ARMS

MC-41 SERIES



NOTE: Foot supports should be securely anchored to floor with 1/2" bolts and anchors by others

MODEL NO.	WT Lbs.	DESCRIPTION	LIST PRICE
MC-41	28.00	Concealed arms with two vertical uprights	\$ 484.00

MC-41 OPTIONAL VARIATIONS:

SUFFIX	DESCRIPTION	LIST PRICE	SUFFIX	DESCRIPTION	LIST PRICE
-A	Add per inch for nipple length over 6"	\$ 25.00	-G	Wall support plate (MC-31-PUP)	\$ 73.00
-B	Floor to ceiling uprights	\$ 487.00	-PF	Prefabricated carrier bank (per carrier)	\$ 56.00
-E2	2" Chrome plated escutcheons (pair)	\$ 81.00	-32	Foot pedal mounting plate	\$ 64.00
			-88	Mounting hardware for cast iron wall hung lavs	\$ 64.00

Design and dimensions are subject to modification. Prices do not include applicable taxes. Visit www.mifab.com for the most recent product information.

MIFAB, Inc., 1321 West 119th Street, Chicago, Illinois 60643-5109, USA

Toll Free 1-800-465-2736, Fax 773-341-3049

All sales subject to MIFAB's Terms and Warranties. Please refer to inside front cover.