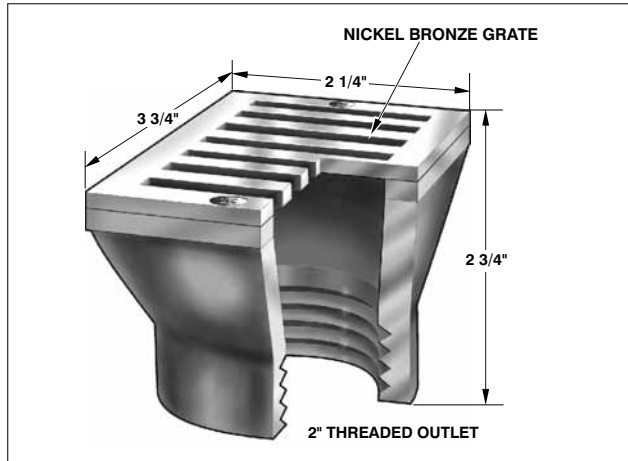


F1720 2 1/4" x 3 3/4" GUTTER DRAIN

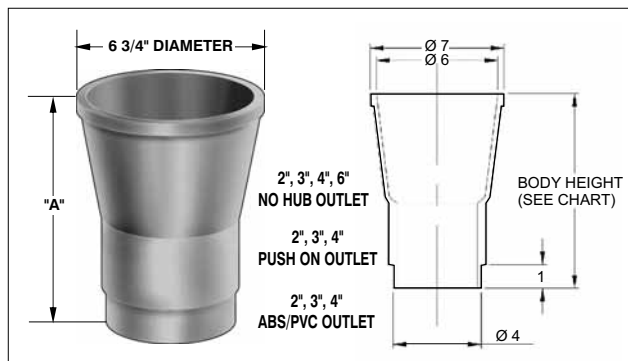


ANSI/ASME RATING		
STRAINER	FREE AREA	LOAD RATING
2" x 3"	3.0 IN ²	2000 lbs

2 1/4" x 3 3/4" GUTTER DRAIN		
MODEL NUMBER	WT. Lbs	LACQUERED CAST IRON BODY WITH NICKEL BRONZE (-1)
F1722	2.00	\$137.00

F1720 OPTIONAL VARIATIONS		
SUFFIX	DESCRIPTION	LIST PRICE
-6	Vandal proof secured grate (T25 Torx & pin)	\$28.00
-13	All galvanized (Min. order 25 pcs. or P.O.A.)	\$31.00

F1780 INDIRECT WASTE FUNNEL

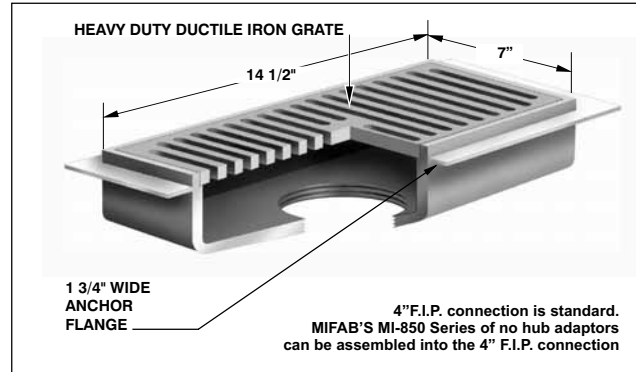


F1780 INDIRECT WASTE FUNNEL			
MODEL NUMBER	WT. Lbs	DESCRIPTION	CAST IRON (-50)
F1782	11.25	2" OUTLET	\$195.00
F1783	11.75	3" OUTLET	\$228.00
F1784	12.25	4" OUTLET	\$389.00
F1786	12.50	6" OUTLET	\$405.00

BODY HEIGHT			
PIPE SIZE	NO HUB (STANDARD)	PUSH ON (P)	PVC (-30) ABS (-31)
2" (51)	10" (254)	10 3/8" (263)	10 3/8" (263)
3" (76)	10" (254)	10 3/8" (263)	10 3/8" (263)
4" (102)	10" (254)	10 3/8" (263)	10 3/8" (263)
6" (152)	8 3/4" (222)	-	-

F1780 OPTIONAL VARIATIONS:		
SUFFIX	DESCRIPTION	LIST PRICE
-11	Acid resistant epoxy finish (Min. order 25 pcs. or P.O.A.)	\$184.00
-13	All galvanized (Min. order 25 pcs. or P.O.A.)	\$184.00
-21	Secondary flat strainer (FD-9600 Series)	\$ 31.00
-30	PVC socket connection body* (2", 3", 4")	No Add
-31	ABS socket connection body* (2", 3", 4")	No Add
-C	Membrane clamp	\$43.00
P	Push on connection (2", 3", 4")	No Add

7" x 15" HEAVY DUTY GUTTER DRAIN WITH ANCHOR FLANGE F1760-FL SERIES

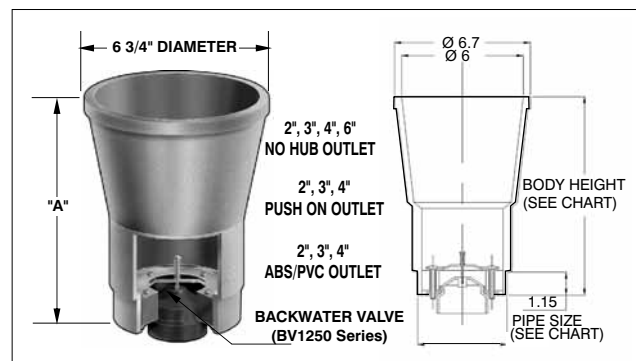


ANSI/ASME RATING		
STRAINER	FREE AREA	LOAD RATING
F1760-PG-4	39.0 IN ²	OVER 10,000 lbs

F1760-FL 7" x 15" HEAVY DUTY GUTTER DRAIN W/ANCHOR FLANGE			
MODEL NUMBER	WT. Lbs	LACQUERED CAST IRON BODY WITH DUCTILE IRON (-4)	STAINLESS STEEL (VENEER) (-3)
F1762,3,4-FL	30.00	\$577.00	\$1028.00

F1760-FL OPTIONAL VARIATIONS:		
SUFFIX	DESCRIPTION	LIST PRICE
-6	Vandal proof secured grate (TR30 Torx & pin)	\$ 76.00
-8	Backwater valve (BV1250 Series) (2", 3", 4")	\$195.00
-11	Acid resistant epoxy finish (Min. order 25 pcs or P.O.A.)	\$305.00
-13	All galvanized (Min. order 25 pcs. or P.O.A.)	\$305.00
-C	Membrane clamp	P.O.A.
-NH	No hub outlet connection (use MI-850 Series)	\$ 95.00

INDIRECT WASTE FUNNEL WITH BACKWATER VALVE F1790 SERIES



F1790 INDIRECT WASTE FUNNEL			
MODEL NUMBER	WT. Lbs	DESCRIPTION	CAST IRON (-50)
F1792	11.75	2" OUTLET	\$525.00
F1793	12.25	3" OUTLET	\$557.00
F1794	12.75	4" OUTLET	\$718.00
F1796	13.00	6" OUTLET	\$741.00

BODY HEIGHT			
PIPE SIZE	NO HUB (STANDARD)	PUSH ON (P)	PVC (-30) ABS (-31)
2" (51)	10" (254)	10 3/8" (263)	10 3/8" (263)
3" (76)	10" (254)	10 3/8" (263)	10 3/8" (263)
4" (102)	10" (254)	10 3/8" (263)	10 3/8" (263)
6" (152)	8 3/4" (222)	-	-

F1790 OPTIONAL VARIATIONS:		
SUFFIX	DESCRIPTION	LIST PRICE
-11	Acid resistant epoxy finish (Min. order 25 pcs. or P.O.A.)	\$321.00
-13	All galvanized (Min. order 25 pcs. or P.O.A.)	\$321.00
-21	Secondary flat strainer (FD-9600 Series)	\$ 31.00
-30	PVC socket connection body* (2", 3", 4")	No Add
-31	ABS socket connection body* (2", 3", 4")	No Add
-C	Membrane clamp	\$43.00
P	Push on connection (2", 3", 4")	No Add

Design and dimensions are subject to modification. Prices do not include applicable taxes. Visit www.mifab.com for the most recent product information.

MIFAB, Inc., 1321 West 119th Street, Chicago, Illinois 60643-5109, USA

Toll Free 1-800-465-2736, Fax 773-341-3049

All sales subject to MIFAB's Terms and Warranties. Please refer to inside front cover.