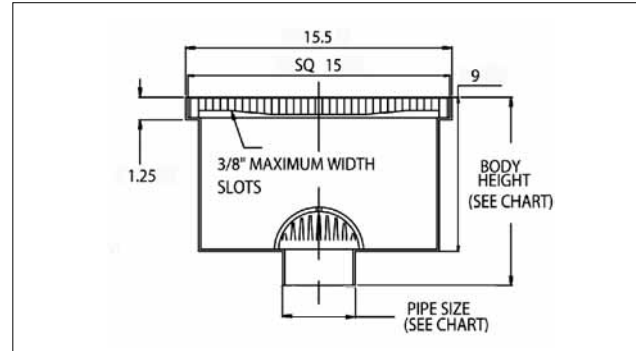
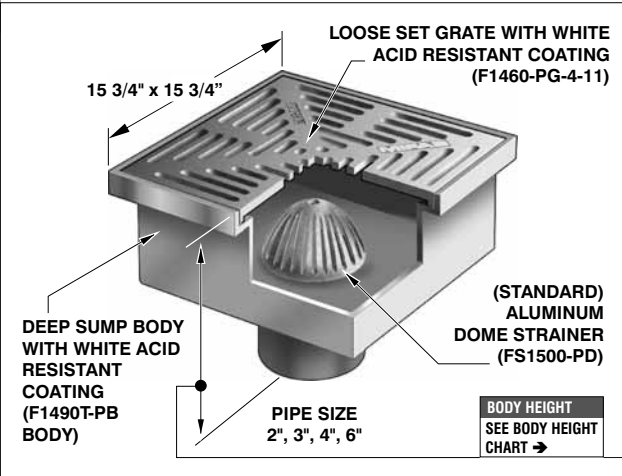


FS1770 SERIES 16" x 16" x 11" DEEP FLOOR SINK

FS1770 SERIES



FS1770 BODY HEIGHT				
PIPE SIZE	NO HUB STANDARD	PUSH ON (P)	THREADED (T)	INSIDE CAULK (X)
ALL	11	11 3/4"	10"	11

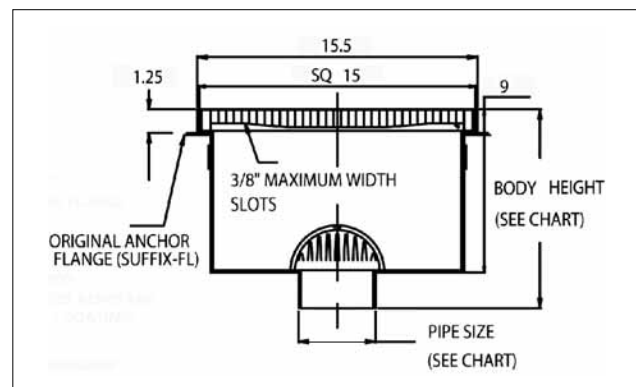
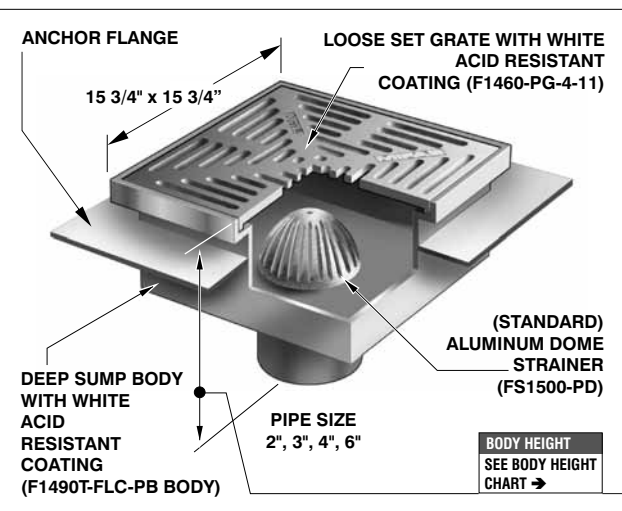
ACID RESISTANT COATED CAST IRON BODY WITH FULL GRATE & ALUMINUM DOME STRAINER				
MODEL NUMBER	WT. Lbs	DESCRIPTION	ACID RESISTANT LOOSE GRATE (STANDARD)	NICKEL BRONZE FRAME AND GRATE (VENEER) (-1)
FS1772,3,4,6	69.00	16" x 16" x 11" Deep with flange	\$2230.00	\$2858.00

FS1770 AND FS1770-FL OPTIONAL VARIATIONS:					
SUFFIX	DESCRIPTION	LIST PRICE	SUFFIX	DESCRIPTION	LIST PRICE
-5	Sediment bucket (FS1700-PB)	\$427.00	-32	Deep seal trap (2", 3", 4" no hub/MI-950 Series)	\$226.00
-6	Security screws (TR30 Torx and pin) (-1 only)	\$ 74.00	-51	2 1/2" round center grate opening	\$ 91.00
-7	Trap seal primer connection, use MI-600	\$ 99.00	-83	Stainless steel mesh screen over stainless steel bucket (add to s.s. Bucket)	\$243.00
-21	Secondary flat strainer (FD-9600 Series)	\$ 31.00	-150	Half grate	No Add
-22	Less acid resistant Cast Iron grate (deduct)	-\$195.00	-175	3/4 grate	No Add
-22	Less Nickel Bronze grate (deduct)	-\$534.00	-C	Membrane clamp (add to FS1770-FL only)	\$290.00
-22	Less Stainless Steel grate (deduct)	-\$534.00	P	Push on outlet (2", 3", 4")	No Add
-30	PVC socket connection W/A.R.E. Body (2", 3", 4")	No Add	T	Threaded outlet (2", 3", 4")	\$ 40.00
-31	ABS socket connection W/A.R.E. Body (2", 3", 4")	No Add	X	Inside caulk outlet (2", 3", 4")	No Add

FLOOR SINK STANDARD FUNNEL OPTIONAL VARIATIONS:							
SUFFIX	DESCRIPTION	ACID RESISTANT	NICKEL BRONZE (-1) STAINLESS STEEL (-3)	SUFFIX	DESCRIPTION	ACID RESISTANT	NICKEL BRONZE (-1) STAINLESS STEEL (-3)
-F4	4" round funnel	\$ 91.00	\$218.00	-F6	6" round funnel	\$147.00	\$325.00
-G	4" x 9" oval funnel	\$218.00	\$454.00	-J	3" x 1" oval funnel	P.O.A.	P.O.A.

FS1770-FL SERIES 16" x 16" x 11" DEEP FLOOR SINK WITH FLANGE

FS1770-FL SERIES



FS1770-FL BODY HEIGHT				
PIPE SIZE	NO HUB STANDARD	PUSH ON (P)	THREADED (T)	INSIDE CAULK (X)
ALL	11	11 3/4"	10"	11

ACID RESISTANT COATED CAST IRON BODY WITH FULL GRATE & ALUMINUM DOME STRAINER				
MODEL NUMBER	WT. Lbs	DESCRIPTION	ACID RESISTANT LOOSE GRATE (STANDARD)	NICKEL BRONZE FRAME AND GRATE (VENEER) (-1)
FS1772,3,4,6-FL	69.00	16" x 16" x 11" Deep with flange	\$2417.00	\$3049.00

Design and dimensions are subject to modification. Prices do not include applicable taxes. Visit www.mifab.com for the most recent product information.

MIFAB, Inc., 1321 West 119th Street, Chicago, Illinois 60643-5109, USA

Toll Free 1-800-465-2736, Fax 773-341-3049

All sales subject to MIFAB's Terms and Warranties. Please refer to inside front cover.