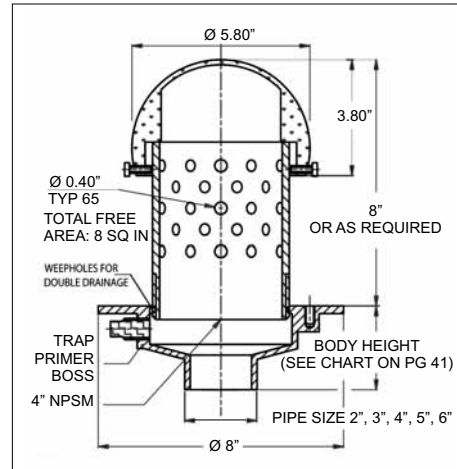
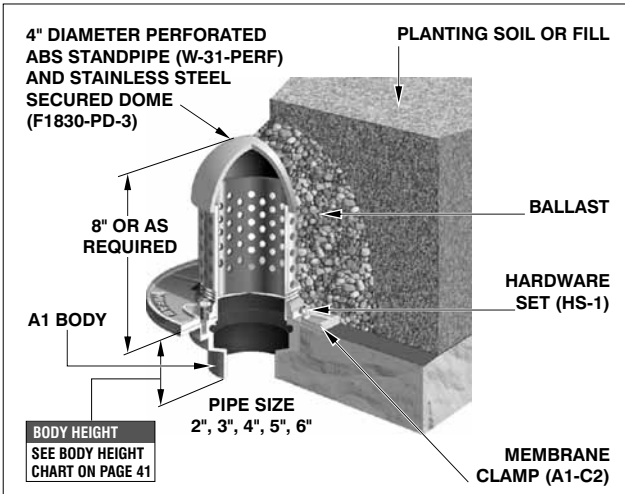



F1830-P SERIES PLANTING AREA DRAIN WITH 8" HIGH PERFORATED STANDPIPE & DOME

F1830-P
SERIES




PARTS


F1830-PD-3



W-31-PERF



HS-1




FLOOR DRAINS


F1830-P PLANTING AREA DRAIN WITH 8" HIGH PERFORATED STANDPIPE AND DOME

MODEL NUMBER	WT. Lbs	STANDPIPE SIZE	LACQUERED CAST IRON BODY & ABS STANDPIPE WITH: LACQUERED CI DOME (-50)	STAINLESS STEEL DOME (-3)
F1832,3,4-P	9.50	4" DIA x 6" HIGH	\$620.00	\$1185.00

A1 BODY



A1-C2

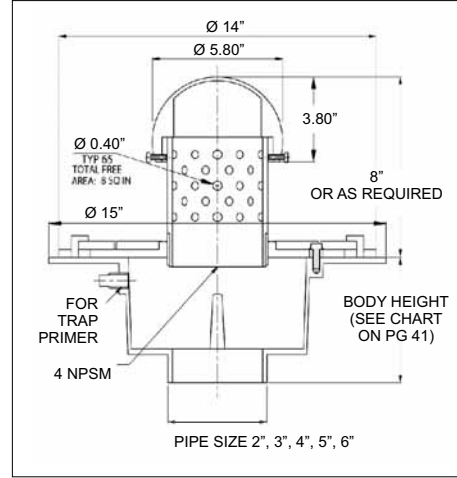
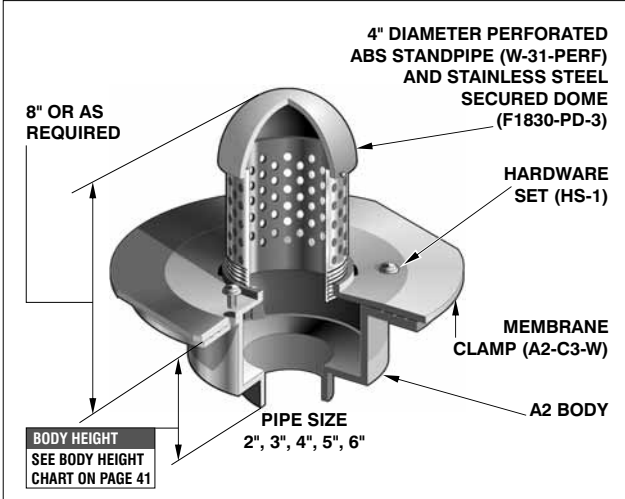


F1830-P OPTIONAL VARIATIONS:

SUFFIX	DESCRIPTION	LIST PRICE	SUFFIX	DESCRIPTION	LIST PRICE
-13	Galvanized body (Min. order 25 pcs. or P.O.A.)	\$101.00	-79	Standpipe over 8", per inch	\$ 49.00
-30	PVC socket connection body (2", 3", 4")	No Add	-90	Threaded side outlet (2", 3", 4") (4" \$159.00)	\$112.00
-31	ABS socket connection body (2", 3", 4")	No Add	P	Push on outlet (2", 3", 4")	No Add
-40	Deck clamp (A1-C3)	\$ 77.00	T	Threaded outlet (2", 3", 4")	\$ 40.00
-41	Sump receiver (A1-BP)	\$132.00	X	Inside caulk outlet (2", 3", 4")	No Add
-43	Solid standpipe (W-31)	No Add			

F1830-PL SERIES LARGE PLANTING AREA DRAIN W/8" HIGH PERFORATED STANDPIPE & DOME

F1830-PL
SERIES



PARTS

F1830-PD-3



W-31-PERF



HS-1



A2 BODY



A2-C3-W



F1830-PL LARGE PLANTING AREA DRAIN WITH 8" HIGH PERFORATED STANDPIPE & DOME

MODEL NUMBER	WT. Lbs	STANDPIPE SIZE	LACQUERED CAST IRON BODY WITH ABS STANDPIPE WITH: LACQUERED CI DOME (-50)	STAINLESS STEEL DOME (-3)
F1832,3,4-PL	18.00	4" DIA x 6" HIGH	\$689.00	\$1336.00

F1830-PL OPTIONAL VARIATIONS:

SUFFIX	DESCRIPTION	LIST PRICE	SUFFIX	DESCRIPTION	LIST PRICE
-13	Galvanized body (Min. order 25 pcs. or P.O.A.)	\$330.00	-79	Standpipe over 8", per inch	\$ 74.00
-30	PVC socket connection body (2", 3", 4")	No Add	-90	Threaded side outlet (2", 3", 4")	\$190.00
-31	ABS socket connection body (2", 3", 4")	No Add	P	Push on outlet (2", 3", 4")	No Add
-40	Deck clamp (A2-C3)	\$124.00	T	Threaded outlet (2", 3", 4")	\$ 40.00
-41	Sump receiver (A2-BP)	\$139.00	X	Inside caulk outlet (2", 3", 4")	No Add
-43	Solid standpipe (W-31)	No Add			

Design and dimensions are subject to modification. Prices do not include applicable taxes. Visit www.mifab.com for the most recent product information.

MIFAB, Inc., 1321 West 119th Street, Chicago, Illinois 60643-5109, USA

Toll Free 1-800-465-2736, Fax 773-341-3049

All sales subject to MIFAB's Terms and Warranties. Please refer to inside front cover.