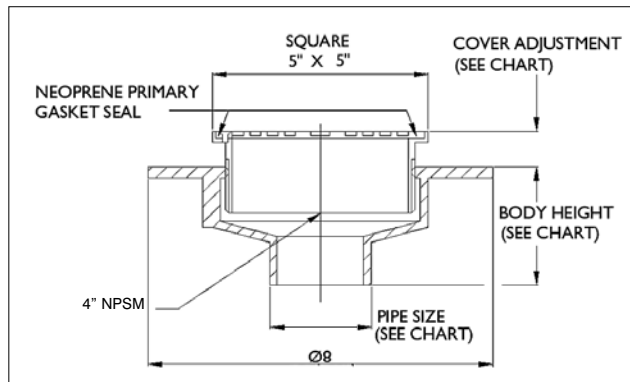
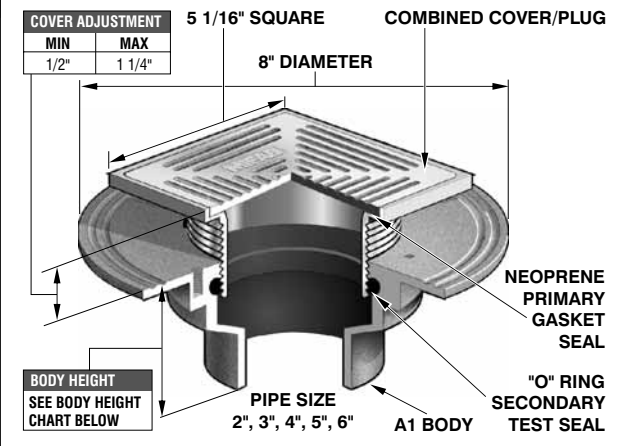


## C1100-S FLOOR CLEANOUT WITH SQUARE TOP

## C1100-S SERIES

CLEANOUTS



NOTE: 6" x 6" NB (-1) and SS (-3) covers also available.  
Add \$94.00 per outlet size and add 6 before S in model number to order.

ANSI/ASME RATING	
COVER	LOAD RATING
5", 6" SQ. NB	2000-4999 lbs
5", 6" SQ. SS	5000-7499 lbs

\*Specify 6S-1 or 6S-3 for 6" x 6" part

PARTS	A1 BODY	S-1 or -3

C1100 SERIES MEETS ANSI CLEANOUT STANDARD A112.36.2M-1991

A1 BODY HEIGHT					
PIPE SIZE	NO HUB STANDARD	PUSH ON (P)	THREADED (T)	INSIDE CAULK (X)	PVC (-30)
2"	3"	3 3/8"	2 1/4"	3 3/4"	2 15/16"
3"	3"	3 3/8"	2 5/8"	3 3/4"	3"
4"	3"	3 3/8"	2 5/8"	3 1/2"	3"
5"	2 3/4"	-	2 5/8"	6 7/8"	-
6"	3 1/4"	6 1/2"	-	-	-

C1100-S FLOOR CLEANOUT WITH SQUARE TOP				
MODEL NUMBER	WT. Lbs	COVER SIZE	OUTLET SIZE	LACQUERED CAST IRON BODY WITH NB (-1) OR SS (-3)
C1102-S	7.25	5" x 5"	2"	\$323.00
C1103-S	7.00	5" x 5"	3"	\$340.00
C1104-S	6.90	5" x 5"	4"	\$456.00
C1105,6-S	8.50	5" x 5"	5", 6"	\$741.00

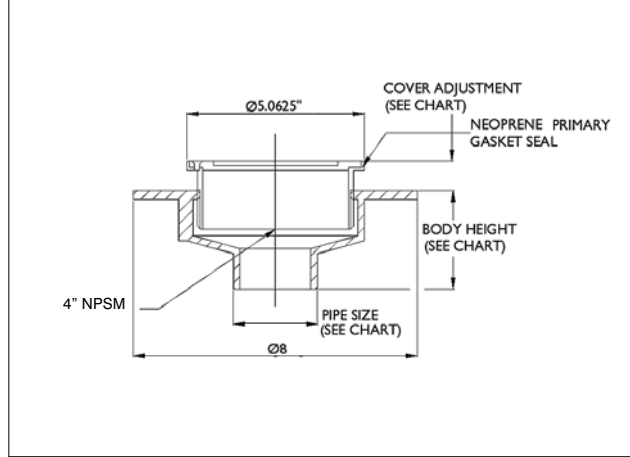
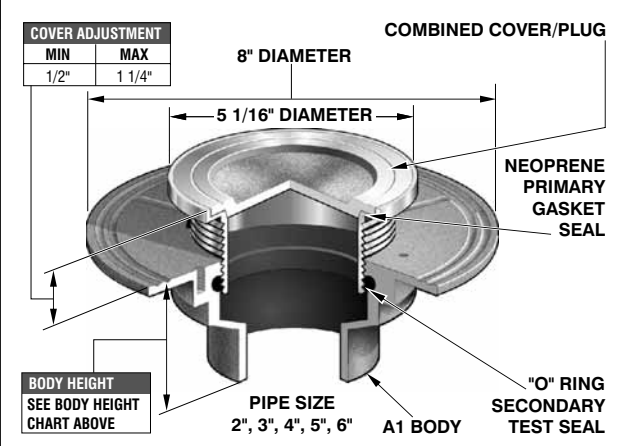
### C1100-S AND C1100-T SERIES OPTIONAL VARIATIONS:

SUFFIX	DESCRIPTION	LIST PRICE	SUFFIX	DESCRIPTION	LIST PRICE
-6	Security screws (TR25 Torx & pin)	\$ 36.00	-34	T-cone plug and gasket (2", 3", 4") (C1140 Series)	\$187.00
-11	Acid resistant epoxy coating (Min. order 25 pcs. or P.O.A.)	\$ 185.00	-C	Membrane clamp (A1-C1)	\$ 43.00
-13	All galvanized (Min. order 25 pcs. or P.O.A.)	\$ 113.00	-NH	No hub outlet	Standard
-28	Stainless steel body (Type 304) (2", 3", 4")	P.O.A.	P	Push on outlet (2", 3", 4")*	No Add
-30	PVC socket connection body* (2", 3", 4")	No Add	T	Threaded outlet (2", 3", 4")	\$ 40.00
-31	PVC socket connection body* (2", 3", 4")	No Add	X	Inside caulk outlet (2", 3", 4")	No Add
			-Z	Extended wide flange (13" Dia. x 1/8" thick)	P.O.A.

Specify POG-6 for C.I. pipe and POG-6-PVC for 6" PVC pipe. 2", 3", 4" sizes use same gasket.

## C1100-T FLOOR CLEANOUT WITH ROUND TOP AND TILE RECESS

## C1100-T SERIES



C1100-T FLOOR CLEANOUT WITH ROUND TOP AND TILE RECESS				
MODEL NUMBER	WT. Lbs	COVER SIZE	OUTLET SIZE	LACQUERED CAST IRON BODY WITH NB (-1) OR SS (-3)
C1102-T	7.25	5" round	2"	\$323.00
C1103-T	7.00	5" round	3"	\$340.00
C1104-T	6.90	5" round	4"	\$456.00
C1105,6-T	8.50	5" round	5", 6"	\$741.00

ANSI/ASME RATING	
COVER	LOAD RATING
5" DIA. NB	2000-4999 lbs
5" DIA. SS	5000-7499 lbs

C1100 SERIES MEETS ANSI CLEANOUT STANDARD

PARTS	
A1 BODY	T-1 or -3

Design and dimensions are subject to modification. Prices do not include applicable taxes. Visit [www.mifab.com](http://www.mifab.com) for the most recent product information.

MIFAB, Inc., 1321 West 119th Street, Chicago, Illinois 60643-5109, USA

Toll Free 1-800-465-2736, Fax 773-341-3049

All sales subject to MIFAB's Terms and Warranties. Please refer to inside front cover.