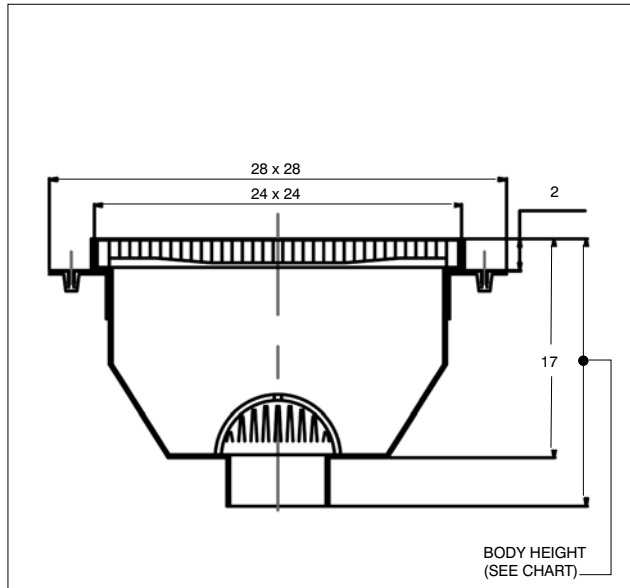
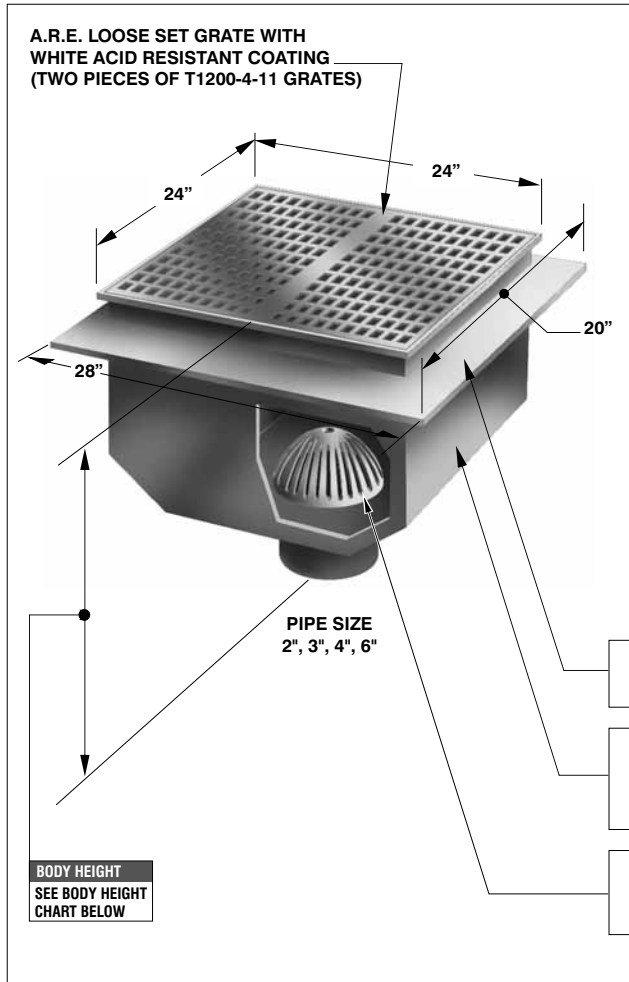


FS1790 SERIES 24" x 24" x 17" DEEP FLOOR SINK

FS1790 SERIES



- ANCHOR FLANGE
- DEEP SUMP BODY WITH WHITE ACID RESISTANT COATING
- (STANDARD) ALUMINUM DOME STRAINER

PIPE SIZE	NO HUB STANDARD	PUSH ON (P)	THREADED (T)	INSIDE CAULK (X)
ALL	18 1/2"	19 1/4"	17 1/2"	18 1/2"

SUFFIX	DESCRIPTION	LIST PRICE	SUFFIX	DESCRIPTION	LIST PRICE
-5	Sediment bucket (FS1700-PB)	\$619.00	-51	2 1/2" round center grate opening (-1 only)	\$ 91.00
-6	Security screws (TR30 Torx and pin) (-3 only)	\$ 74.00	-83	Stainless steel mesh screen over bucket (add to S.S.. bucket)	\$243.00
-7	Trap seal primer connection, use MI-600	\$ 99.00	-150	Half grate	No Add
-21	Secondary flat strainer (FD-9600 Series)	\$ 31.00	-175	3/4 grate	No Add
-22	Less Enamel Cast Iron grate (deduct)	-\$484.00	-C	Membrane clamp	\$290.00
-22	Less Nickel Bronze grate (deduct)	-\$822.00	P	Push on outlet (2", 3", 4")	No Add
-30	PVC socket connection W/A.R.E. Body (2", 3", 4")	No Add	T	Threaded outlet (2", 3", 4")	\$ 40.00
-31	ABS socket connection W/A.R.E. Body (2", 3", 4")	No Add	X	Inside caulk outlet (2", 3", 4")	No Add
-32	Deep seal trap (2", 3", 4" no hub) (MI-950 Series)	\$226.00			

SUFFIX	DESCRIPTION	ACID RESISTANT	STAINLESS STEEL (-3)	SUFFIX	DESCRIPTION	ACID RESISTANT	STAINLESS STEEL (-3)
-F4	4" round funnel	\$ 91.00	\$218.00	-F6	6" round funnel	\$147.00	\$325.00
-G	4" x 9" oval funnel	\$218.00	\$454.00	-J	3" x 1" oval funnel	P.O.A.	P.O.A.

MODEL NUMBER	WT. Lbs	DESCRIPTION	ACID RESISTANT LOOSE GRATE (STANDARD)	STAINLESS STEEL FRAME AND GRATE (VENEER) (-3)
FS1792,3,4,6	250.00	24" x 24" x 17" deep with flange	\$4899.00	\$6269.00

Design and dimensions are subject to modification. Prices do not include applicable taxes. Visit www.mifab.com for the most recent product information.

MIFAB, Inc., 1321 West 119th Street, Chicago, Illinois 60643-5109, USA

Toll Free 1-800-465-2736, Fax 773-341-3049

All sales subject to MIFAB's Terms and Warranties. Please refer to inside front cover.

FLOOR SINKS