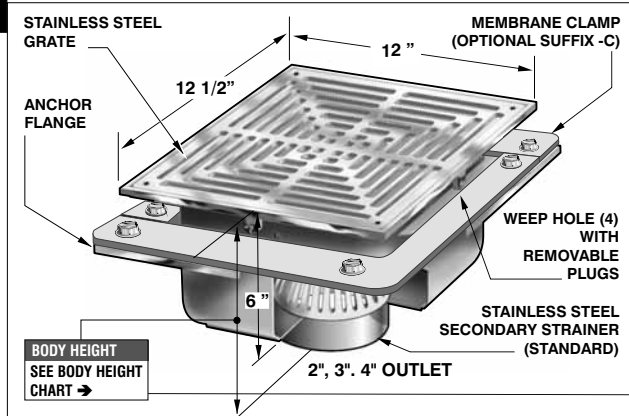
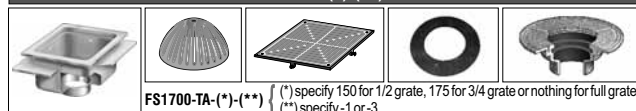


FS1920-FL 12" x 12" x 6" DEEP STAINLESS STEEL FLOOR SINK WITH FLANGE FS1920-FL SERIES

SERIES



FS1920T-FL-C-PB FS1500-PD FS1700-TA-*(-)** A3-PG A1 BODY



STAINLESS STEEL BODY WITH FULL GRATE & STAINLESS STEEL SECONDARY STRAINER

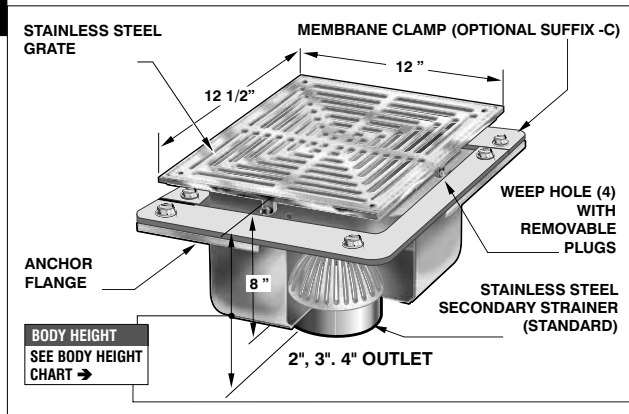
MODEL NUMBER	WT. Lbs	DESCRIPTION	FULL GRATE (STANDARD)
FS1922,3,4-FL	20.00	12" x 12" x 6" deep with flange	\$1928.00

FS1920-FL SERIES BODY HEIGHT

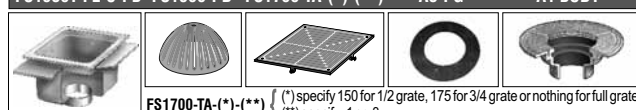
PIPE SIZE	NO HUB STANDARD	PUSH ON (P)	INSIDE CAULK (X)	THREADED (T)	PVC (-30)	ABS (-31)
2"	8 5/8"	9 1/8"	8 5/8"	8 1/8"	9 5/8"	9 5/8"
3"	8 5/8"	9 1/8"	8 5/8"	8 1/2"	9 5/8"	9 5/8"
4"	8 5/8"	9 1/8"	8 5/8"	8 1/2"	9 5/8"	9 5/8"

FS1930-FL 12" x 12" x 8" DEEP STAINLESS STEEL FLOOR SINK WITH FLANGE FS1930-FL SERIES

SERIES



FS1930T-FL-C-PB FS1500-PD FS1700-TA-*(-)** A3-PG A1 BODY



STAINLESS STEEL BODY WITH FULL GRATE & STAINLESS STEEL SECONDARY STRAINER

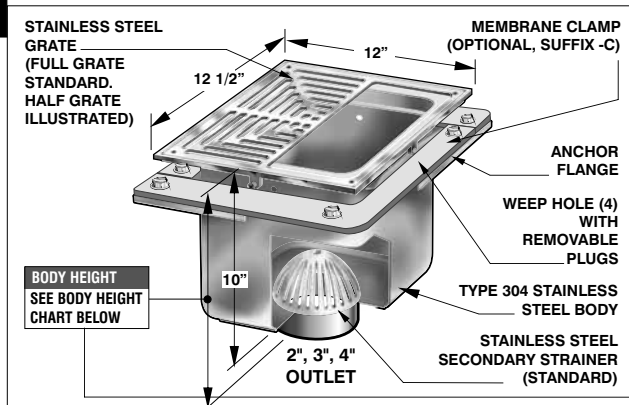
MODEL NUMBER	WT. Lbs	DESCRIPTION	FULL GRATE (STANDARD)
FS1932,3,4-FL	21.00	12" x 12" x 8" deep with flange	\$2016.00

FS1930-FL SERIES BODY HEIGHT

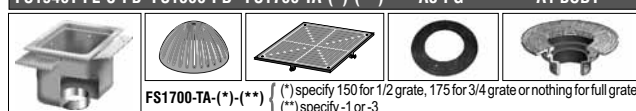
PIPE SIZE	NO HUB STANDARD	PUSH ON (P)	INSIDE CAULK (X)	THREADED (T)	PVC (-30)	ABS (-31)
2"	10 5/8"	11 1/8"	10 5/8"	10 1/8"	11 5/8"	11 5/8"
3"	10 5/8"	11 1/8"	10 5/8"	10 1/2"	11 5/8"	11 5/8"
4"	10 5/8"	11 1/8"	10 5/8"	10 1/2"	11 5/8"	11 5/8"

FS1940-FL 12" x 12" x 10" DEEP STAINLESS STEEL FLOOR SINK WITH FLANGE FS1940-FL SERIES

SERIES



FS1940T-FL-C-PB FS1500-PD FS1700-TA-*(-)** A3-PG A1 BODY



STAINLESS STEEL BODY WITH FULL GRATE & STAINLESS STEEL SECONDARY STRAINER

MODEL NUMBER	WT. Lbs	DESCRIPTION	FULL GRATE (STANDARD)
FS1942,3,4-FL	21.00	12" x 12" x 10" deep with flange	\$2184.00

FS1940-FL SERIES BODY HEIGHT

PIPE SIZE	NO HUB STANDARD	PUSH ON (P)	INSIDE CAULK (X)	THREADED (T)	PVC (-30)	ABS (-31)
2"	10 5/8"	13 1/8"	12 5/8"	12 1/8"	13 5/8"	13 5/8"
3"	10 5/8"	13 1/8"	12 5/8"	12 1/2"	13 5/8"	13 5/8"
4"	10 5/8"	13 1/8"	12 5/8"	12 1/2"	13 5/8"	13 5/8"

FLOOR SINKS

FS1920-FL, FS1930-FL and FS1940-FL OPTIONAL VARIATIONS:

SUFFIX	DESCRIPTION	LIST PRICE	SUFFIX	DESCRIPTION	LIST PRICE
-5	Sediment bucket (FS1700-PB-3)	\$124.00	-51	2 1/2" round center grate opening	\$ 91.00
-6	Security screws (TR25 Torx & pin) (-3 only)	\$327.00	-83	Stainless steel mesh screen over bucket	\$243.00
-7	Trap seal primer connection	\$127.00	-150	Half grate	No Add
-9	Hinged grate (see page 190)	\$181.00	-175	3/4 grate	No Add
-21	Secondary flat strainer (FD-9600 Series)	\$ 31.00	-C	Membrane clamp	\$250.00
-22	Less grate (deduct)	-\$204.00	P	Push on outlet (2", 3", 4")	No Add
-30	PVC socket connection (2", 3", 4")	No Add	T	Threaded outlet (2", 3", 4")	\$ 40.00
-31	ABS socket connection (2", 3", 4")	No Add	X	Inside caulk outlet (2", 3", 4")	No Add
-32	Deep seal trap (2", 3", 4", no hub) (MI-950 Series)	\$226.00	-Z	Extended wide flange (20" x 20" x 1/4" thick)	P.O.A.

FLOOR SINK STANDARD FUNNEL OPTIONAL VARIATIONS:

SUFFIX	DESCRIPTION	STAINLESS STEEL (-3)	SUFFIX	DESCRIPTION	STAINLESS STEEL (-3)
-F4	4" round funnel	\$218.00	-F6	6" round funnel	\$325.00
-G	4" x 9" oval funnel	\$454.00	-J	3" x 1" oval funnel	P.O.A.

Design and dimensions are subject to modification. Prices do not include applicable taxes. Visit www.mifab.com for the most recent product information.

MIFAB, Inc., 1321 West 119th Street, Chicago, Illinois 60643-5109, USA

Toll Free 1-800-465-2736, Fax 773-341-3049

All sales subject to MIFAB's Terms and Warranties. Please refer to inside front cover.