

F1100-C-T SERIES FLOOR DRAIN WITH ROUND STRAINER AND SOLID SECURED COVER

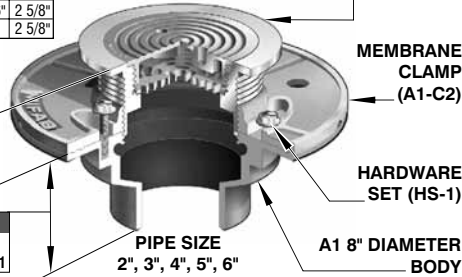
F1100-C-T SERIES

NOTE: "T" WRENCH TOOL REQUIRED TO REMOVE COVER

STRAINER ADJUSTMENT		
STRAINER	MIN	MAX
6"	1 11/16"	2 5/8"
7"	1 1/2"	2 5/8"

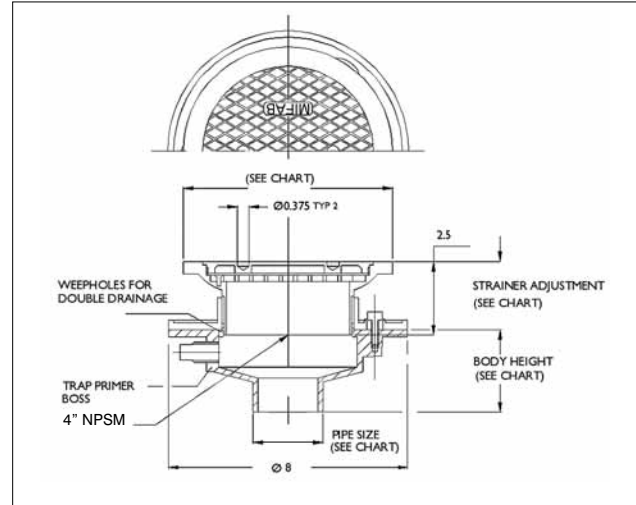
"T" ADJUSTABLE STRAINER WITH SOLID SECURED COVER

BODY HEIGHT
SEE BODY HEIGHT CHART ON PAGE 11



ANSI/ASME RATING

STRAINER	FREE AREA	LOAD RATING
6\" DIA	9 IN ²	5000 - 7499 lbs
7\" DIA	12 IN ²	5000 - 7499 lbs



FLOOR DRAIN WITH ROUND STRAINER & SOLID SECURED COVER

MODEL NUMBER	WT. Lbs	STRAINER SIZE	LIST PRICE STAINLESS STEEL (-3)
F1102,3,4-C-T6-3	12.50	6\" DIA	\$540.00
F1102,3,4-C-T7-3	14.50	7\" DIA	\$969.00
H-1042	"T" WRENCH TOOL		\$ 71.00

WHEN NO MEMBRANE CLAMP IS REQUIRED, DELETE SUFFIX (-C) AND DEDUCT \$43.00

PARTS (* Denotes strainer diameter (6\" or 7\"))

A1 BODY	T(*)-3	A1-C2	HS-1

F1100-C-SD, F1100-C-SHG, F1100-C-T AND F1100-C-VD SERIES OPTIONAL VARIATIONS CONTINUED FROM PAGE 18

SUFFIX	DESCRIPTION	LIST PRICE	SUFFIX	DESCRIPTION	LIST PRICE
-49	Chrome plated strainer assembly (-add to 1 only)	\$ 15.00	-J-(1,3)	3\" x 1\" NB or SS oval funnel	P.O.A.
-90	Threaded side outlet (2\", 3\")	\$ 112.00	-J-50	3\" x 1\" cast iron oval funnel	P.O.A.
	4\" threaded side outlet	\$ 159.00	P	Push on outlet (2\", 3\" or 4\")	No Add
-95	Client logo (10 piece min. order)	P.O.A.	T	Threaded outlet (2\", 3\" or 4\")	\$ 40.00
-C	Membrane clamp (A1-C2)	\$ 43.00	-Z	Extended wide elastomeric flange (13\" dia. x 1/8 thick)	P.O.A.
-C1	Low rough-in membrane clamp (A1-C1)	\$ 43.00	X	Inside caulk outlet (2\", 3\" or 4\")	No Add
-F4-(1,3)	4\" NB or SS round funnel	\$ 218.00	5	5\" no hub outlet	\$ 284.00
-F4-50	4\" cast iron round funnel	\$ 91.00	5T	5\" threaded outlet	\$ 284.00
-F6-(1,3)	6\" NB or SS round funnel	\$ 325.00	5X	5\" inside caulk outlet	\$ 284.00
-F6-50	6\" cast iron round funnel	\$ 147.00	6	6\" no hub outlet	\$ 284.00
-G-(1,3)	4\" x 9\" NB or SS oval funnel	\$ 454.00	6P	6\" push on outlet*	\$ 284.00
-G-50	4\" x 9\" C.I. oval funnel	\$ 218.00			

* Specify POG-6 for C.I. pipe and POG-6-PVC for PVC pipe. 2\", 3\", 4\" sizes use same gasket.

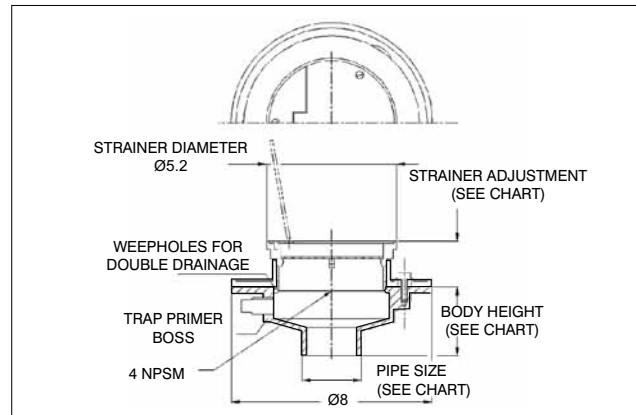
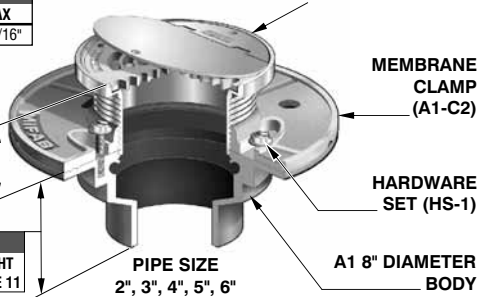
F1100-C-VD SERIES FLOOR DRAIN WITH ROUND STRAINER AND SOLID HINGED COVER

F1100-C-VD SERIES

STRAINER ADJUSTMENT	
MIN	MAX
1 9/16"	2 11/16"

"VD" ADJUSTABLE ROUND STRAINER WITH SOLID HINGED COVER

BODY HEIGHT
SEE BODY HEIGHT CHART ON PAGE 11



ANSI/ASME RATING

STRAINER	FREE AREA	LOAD RATING
5\" DIA	5 IN ²	5000 - 7499 lbs

FLOOR DRAIN WITH ROUND STRAINER AND SOLID HINGED COVER

MODEL NUMBER	WT. Lbs	STRAINER SIZE	LIST PRICE STAINLESS STEEL (-3)
F1102,3,4-C-VD5	12.50	5\" DIA	\$447.00

WHEN NO MEMBRANE CLAMP IS REQUIRED, DELETE SUFFIX (-C) AND DEDUCT \$43.00

PARTS

A1 BODY	VD5-3	A1-C2	HS-1

All sales subject to MIFAB's Terms and Warranties. Please refer to inside front cover.

Design and dimensions are subject to modification. Prices do not include applicable taxes. Visit www.mifab.com for the most recent product information.

MIFAB, Inc., 1321 West 119th Street, Chicago, Illinois 60643-5109, USA

Toll Free 1-800-465-2736, Fax 773-341-3049

All sales subject to MIFAB's Terms and Warranties. Please refer to inside front cover.