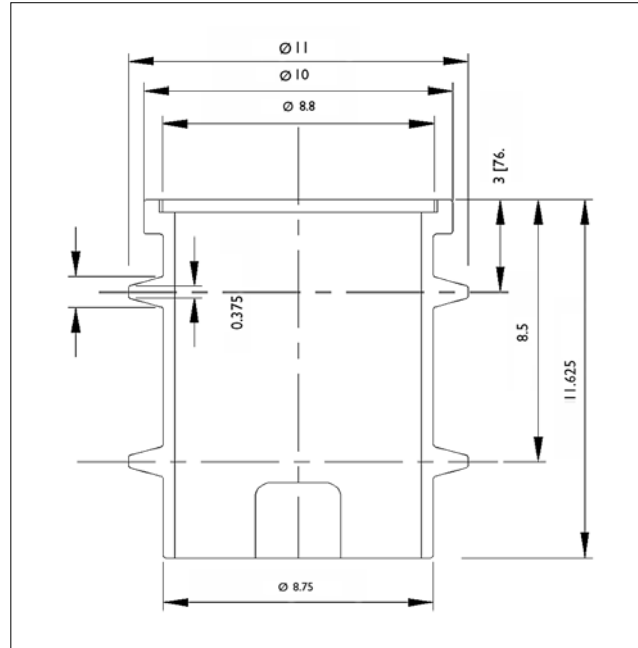
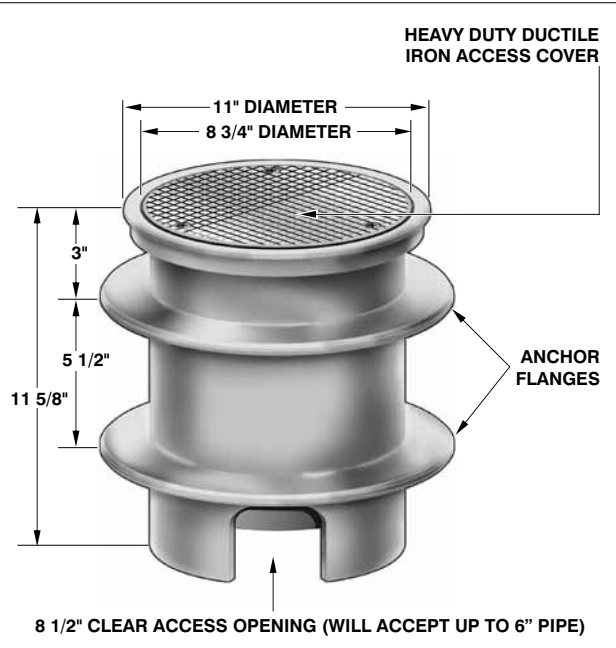


C1300-MF HEAVY DUTY CLEANOUT ACCESS HOUSING WITH ANCHOR FLANGE C1300-MF SERIES

CLEANOUTS

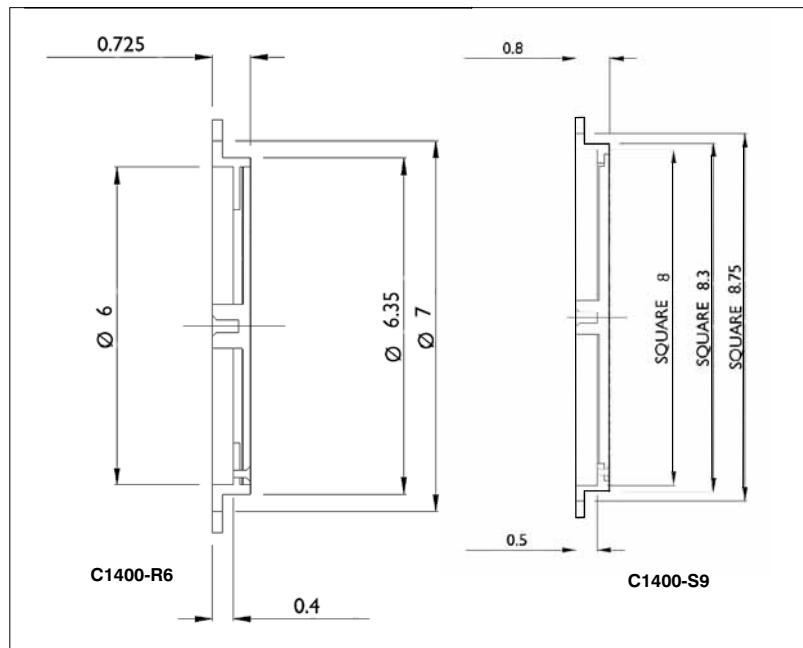
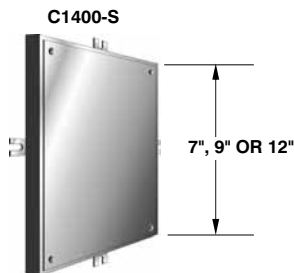
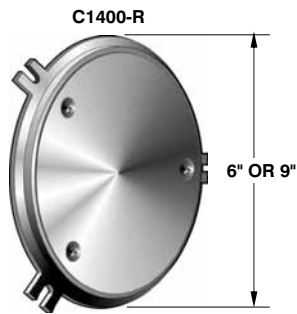


NOTE: IF A CLEANOUT IS REQUIRED, USE MIFAB C1230 SERIES (See page 110)

C1300-MF HEAVY DUTY CLEANOUT ACCESS HOUSING WITH ANCHOR FLANGE				
MODEL NUMBER	WT. Lbs	DESCRIPTION	DUCTILE IRON (-4)	STAINLESS STEEL (VENEER) (-3)
C1300-MF	40.00	Heavy duty cleanout access housing	\$718.00	\$1034.00

C1300-MF OPTIONAL VARIATIONS:		
SUFFIX	DESCRIPTION	LIST PRICE
-6	Security screws (TR30 Torx and pin)	\$ 49.00
-11	Acid resistant epoxy coating (Min. Order 25 pcs. or P.O.A.)	\$287.00
-13	All galvanized (Min. order 25pcs. or P.O.A.)	\$287.00

C1400 NICKEL BRONZE SMOOTH WALL ACCESS COVER C1400 SERIES



C1400 NICKEL BRONZE SMOOTH WALL ACCESS COVER			
MODEL NUMBER	WT. Lbs	COVER SIZE	LIST PRICE
C1400-R6-1	9.00	6" Round	\$181.00
C1400-R9-1	10.00	9" Round	\$315.00
C1400-S7-1	11.00	7" x 7"	\$312.00
C1400-S9-1	12.00	9" x 9"	\$456.00
C1400-S12-1	16.00	12" x 12"	\$533.00

C1400 OPTIONAL VARIATIONS:		
SUFFIX	DESCRIPTION	LIST PRICE
-3	Stainless Steel access cover	P.O.A.
-6	Security screws (TR25 Torx and pin)	\$ 36.00

Design and dimensions are subject to modification. Prices do not include applicable taxes. Visit www.mifab.com for the most recent product information.

MIFAB, Inc., 1321 West 119th Street, Chicago, Illinois 60643-5109, USA

Toll Free 1-800-465-2736, Fax 773-341-3049