

R1260 SERIES EXTRA LARGE SUMP, HIGH FLOW ROOF DRAIN

125 In² FREE AREA DOME

OPTIONAL CAST IRON DOME [A2-MD] SUFFIX (-M)

SELF LOCKING POLY DOME STRAINER (A2-PD)

HARDWARE SET (HS-7)

2 5/16" WIDE SERRATED MEMBRANE CLAMP AND GRAVEL STOP (A7-C3)

OPTIONAL UNDERDECK CLAMP (A7-UDC) SUFFIX (-U) AND HARDWARE SET (HS-8)

A7 DEEP SUMP BODY

DECK OPENING 13 1/2" WITH SUMP RECEIVER 16 1/2"

BODY HEIGHT	
PIPE SIZE	NO HUB
10"	5 1/2"
12"	5 1/2"

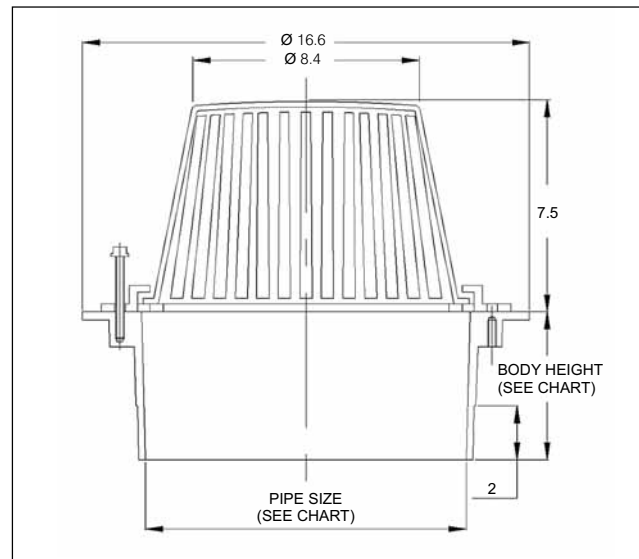
LACQUERED CAST IRON BODY WITH:

MODEL NO.	WT Lbs.	OUTLET SIZE	POLY DOME (STANDARD)	CAST IRON DOME (-M)
R1261	29.50	10"	\$1071.00	\$1071.00
R1262	29.50	12"	\$1147.00	\$1147.00

DOME RECEIVER, CLAMP & EXTENSION RING GUIDE

BODY & OUTLET SIZE	DOME RECEIVER*	DECK CLAMP	EXTENSION RING & HARDWARE	SUMP RECEIVER
A7-10NH	A7-C3*	A7-UDC-10	A7-UDC-10 & HS-8	A7-BP
A7-12NH	A7-C3*	A7-UDC-12	A7-UDC-12 & HS-8	A7-BP

* USES HS-7 HARDWARE SET



R1260 SERIES OPTIONAL VARIATIONS:

SUFFIX	DESCRIPTION	LIST PRICE R1260	SUFFIX	DESCRIPTION	LIST PRICE R1260
-6	Vandal proof dome (metal dome only)	\$ 64.00	-M-80	Low aluminum dome (4 1/4" high)	\$127.00
-11	Acid resistant epoxy (excluding polydome) (Min. order 25 pcs. or P.O.A)	\$981.00	-R	2" external water dam	\$349.00
-12	Galvanized metal dome (Min. order 25 pcs. or P.O.A)	\$190.00	-U	Underdeck clamp	\$124.00
-13	All galvanized (Min. order 25 pcs. or P.O.A)	\$659.00	-V	Fixed extension, 2"-4"	\$510.00
-81	Rough bronze dome 4"	\$427.00	-VG	Galvanized fixed extension. (2", 3", 4")	\$772.00
-83	Stainless steel mesh screen over dome	\$299.00	-W	Adjustable water dam (5" high x 4" DIA.)	\$551.00
-B	Sump Receiver (A7-BP)	\$139.00	-W-1	Water proofing flange (A2-W-1)	\$265.00
-C	Secondary clamp	\$124.00	-W2	2" internal water dam	\$551.00
-E	Adjustable extension	\$464.00	-W3	3" internal water dam	\$551.00
-EG	Galvanized extension	\$772.00	-W4	4" internal water dam	\$551.00
-G	Ballast guard	\$405.00	-W6	Adjustable water dam, 6" DIA.	\$551.00
-JC	Ballast guard with secondary clamp	\$529.00	-Z	Extended wide flange (20" Dia. x 1/4" thick)	P.O.A.

Design and dimensions are subject to modification. Prices do not include applicable taxes. Visit www.mifab.com for the most recent product information.

MIFAB, Inc., 1321 West 119th Street, Chicago, Illinois 60643-5109, USA

Toll Free 1-800-465-2736, Fax 773-341-3049

All sales subject to MIFAB's Terms and Warranties. Please refer to inside front cover.