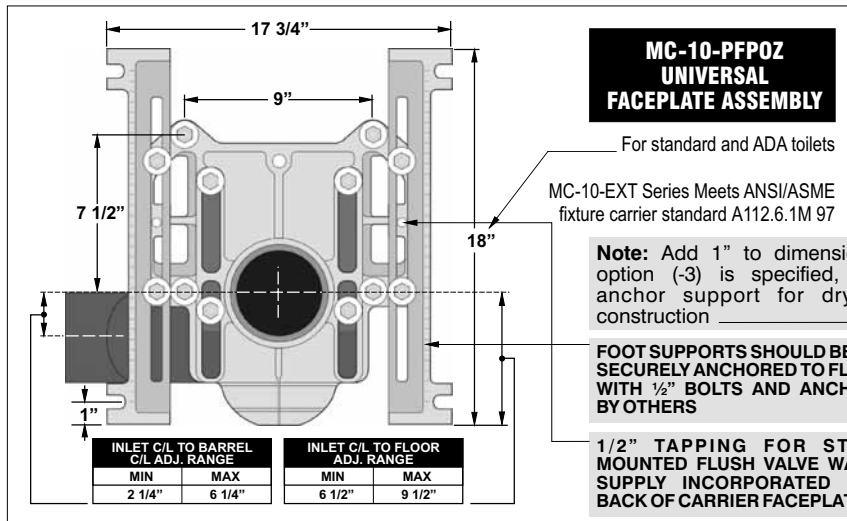


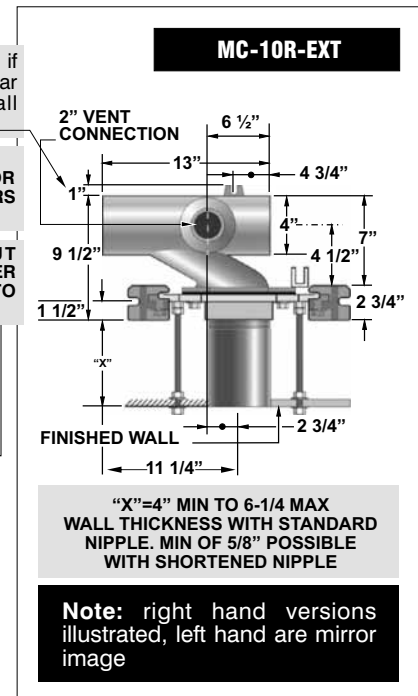
MC-10-EXT
SERIES

HORIZONTAL ADJUSTABLE WATER CLOSET CARRIER FOR ADA HEIGHT
WATER CLOSETS IN MIDDLE OF BATTERY

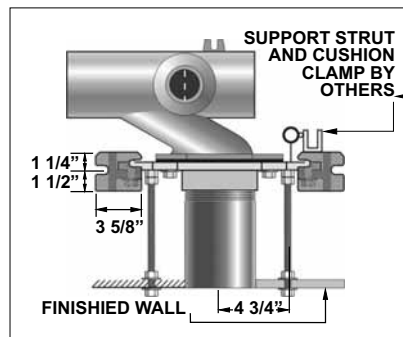
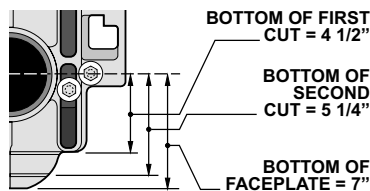
MC-10-EXT
SERIES



Note: 8" tapered thread ABS nipple shipped standard with MC-10 Series carriers. The universal faceplate assembly accepts all nipple variations, rolling thread (-OR), cast iron (-CI) and tapered thread ABS with adjustable horn (-AH).



BREAKAWAY TABS
CENTERLINE OF NIPPLE TO FLOOR



CARRIERS

MC-10-EXT SERIES

MODEL NO.	DESCRIPTION	WEIGHT (Lbs.)	LIST PRICE
MC-10L-EXT	Single left hand	66.00	\$ 776.00
MC-10R-EXT	Single right hand	66.00	\$ 776.00
MC-10D-EXT	Double - back to back	117.00	\$1452.00



MC-10-EXT OPTIONAL VARIATIONS:

SUFFIX	DESCRIPTION	LIST PRICE	LIST PRICE	SUFFIX	DESCRIPTION	LIST PRICE	LIST PRICE
		SINGLE	DOUBLE			SINGLE	DOUBLE
-01	Neoprene bowl gasket	\$ 31.00	\$ 62.00	-CI-24	24" rolling thread cast iron nipple	\$ 152.00	\$ 304.00
-1	Finishing / Tiling frame	\$ 40.00	\$ 80.00	-HD	500 lb rated heavy duty	\$ 30.00	\$ 60.00
-3	Rear anchor support	No Add	N/A	-HDX	1000 lb. rated extra heavy duty	\$1495.00	\$2931.00
-12	12" tapered thread ABS nipple*	No Add	No Add	-PF	Prefabricated carriers	No Add	No Add
-OR8	8" rolling thread ABS nipple	No Add	No Add	-10	Auxiliary support, recommended with nipple lengths over 12"	\$ 421.00	\$ 842.00
-OR12	12" rolling thread ABS nipple*	No Add	No Add	-13	All galvanized (Min. order 25 pcs. or P.O.A.)	\$ 399.00	\$ 796.00
-AH8	8" ABS nipple with adjustable horn	No Add	No Add	-14	Vandal proof finished trim	\$ 66.00	\$ 132.00
-AH12	12" ABS nipple with adjustable horn*	No Add	No Add	-17	Test plug for custom cast iron nipples	\$ 30.00	\$ 60.00
-CI-4	4" rolling thread cast iron nipple	No Add	No Add	-19	Nipple wrench	\$ 52.00	\$ 52.00
-CI-6	6" rolling thread cast iron nipple	No Add	No Add	-20	Flush valve support	\$ 43.00	\$ 86.00
-CI-8	8" rolling thread cast iron nipple	No Add	No Add	-22	Less fitting	\$ 388.00	\$ 676.00
-CI-12	12" rolling thread cast iron nipple*	\$ 49.00	\$ 98.00				

* H-1167-KA-14 (Threaded rods for 12" nipples 5/8" x 14") 12.00 24.00

Design and dimensions are subject to modification. Prices do not include applicable taxes. Visit www.mifab.com for the most recent product information.

MIFAB, Inc., 1321 West 119th Street, Chicago, Illinois 60643-5109, USA

Toll Free 1-800-465-2736, Fax 773-341-3049