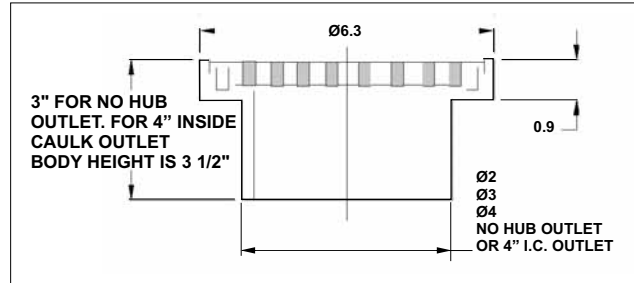
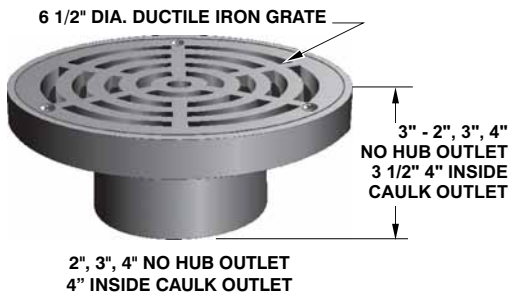


F1240 SERIES NON ADJUSTABLE AREA DRAIN

F1240 SERIES



F1240 ANSI/ASME RATING

STRAINER	FREE AREA	LOAD RATING
F1240-PG-4	10.0 IN ²	OVER 10,000 lbs

F1240 NON ADJUSTABLE AREA DRAIN

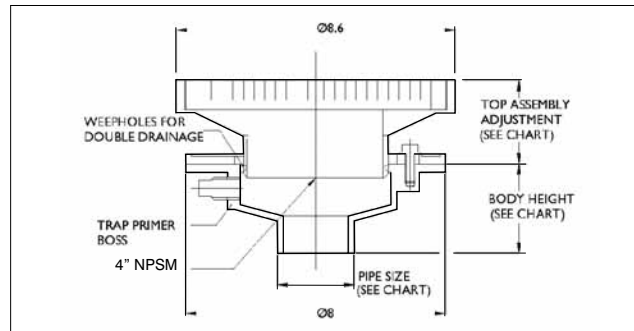
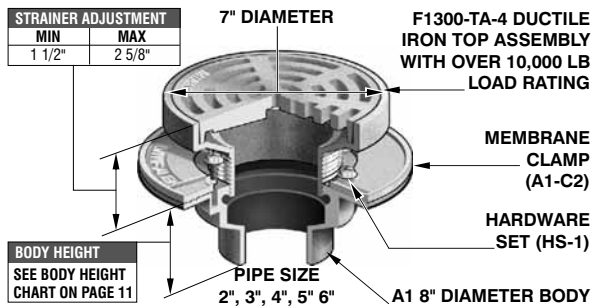
MODEL NUMBER	WT. Lbs	OUTLET SIZE	STRAINER SIZE	LIST PRICE DUCTILE IRON (-4)
F1242,3,4	5.00	2", 3", 4"	6 1/2" DIA	\$190.00
F1244X	5.00	4" I.C.	6 1/2" DIA	\$190.00

F1300-C, F1320-C & F1320-C-TFB OPTIONAL VARIATIONS:

SUFFIX	DESCRIPTION	LIST PRICE	SUFFIX	DESCRIPTION	LIST PRICE
-5	Sediment bucket (Std. with -TFB)	\$ 71.00	-90	Threaded side outlet (2", 3")	\$112.00
-6	Vandal proof secured grate (TR30 Torx and pin)	\$ 76.00	-90	Threaded side outlet (4")	\$159.00
-7	Trap seal primer tapping	Standard	-F4-(1,3)	4" NB or SS round funnel	\$218.00
-8	Backwater valve (2", 3", 4") (BV1250 Series)	\$195.00	-F4-50	4" cast iron round funnel	\$ 91.00
-11	Acid resistant epoxy coating (Min. order 25 pcs. or P.O.A)	\$258.00	-F6-(1,3)	6" NB or SS round funnel	\$325.00
-12	Galvanized top assembly (Min. order 25 pcs. or P.O.A)	\$111.00	-F6-50	6" cast iron round funnel	\$147.00
-13	All galvanized (Min. order 25 pcs. or P.O.A)	\$220.00	-G-(1,3)	4" x 9" NB or SS oval funnel	\$454.00
-15	Extension (DD-50)	\$ 71.00	-G-50	4" x 9" C.I. oval funnel	\$218.00
-16	Square top assemle (Except -TFB)	\$167.00	-J-(1,3)	3" x 1" NB or SS oval funnel	P.O.A.
-21	Secondary S.S. flat strainer (2", 3", 4") (FD-9600 series)	\$ 31.00	-J-50	3" x 1" cast iron oval funnel	P.O.A.
-25-1	Solid Secured Hinged NB Cover (For 9" round only)	\$249.00	P	Push on outlet (2", 3" or 4")	No Add
-28	Stainless Steel Body (Type 304) (2", 3", 4")	P.O.A.	T	Threaded outlet (2", 3" or 4")	\$ 40.00
-30	PVC Socket Connection Body (2", 3" or 4")	No Add	X	Inside caulk outlet (2", 3" or 4")	No Add
-31	ABS Socket Connection Body (2", 3" or 4")	No Add	-Z	Extended wide flange (20" Diameter x 1/4" thick)	P.O.A.
-32	2", 3", 4" Integral deep seal trap (MI-950 series)	\$226.00	5	5" no hub outlet	\$284.00
-34	Closure plug (C1440 Series)	\$187.00	5T	5" threaded outlet	\$284.00
-40	Underdeck clamp (A1-C3)	\$ 77.00	5X	5" inside caulk outlet	\$284.00
-41	Sump receiver (A1-BP)	\$132.00	6	6" no hub outlet	\$284.00
			6P	6" push on outlet	\$284.00

*PVC/ABS Socket bodies available for 2", 3", 4" connection sizes

F1300-C SERIES AREA DRAIN W/7" ROUND ADJUSTABLE HEAVY DUTY TRACTOR GRATE W/MEMBRANE CLAMP F1300-C SERIES



ANSI/ASME RATING

STRAINER	FREE AREA	LOAD RATING
F1300-TA-1	18.0 IN ²	OVER 10,000 lbs
F1300-TA-3	18.0 IN ²	OVER 10,000 lbs
F1300-TA-4	18.0 IN ²	OVER 10,000 lbs

PARTS



F1300-C AREA DRAIN WITH 7" ROUND ADJUSTABLE HEAVY DUTY TRACTOR GRATE WITH MEMBRANE CLAMP

MODEL NUMBER	WT. Lbs	STRAINER DESCRIPTION	LIST PRICE LACQUERED CAST IRON BODY WITH:		
			DUCTILE IRON (-4)	NICKEL BRONZE (-1)	STAINLESS STEEL (-3)
F1302,3,4-C	12.00	7" Dia. Adj. tractor grate	\$278.00	\$429.00	\$429.00
F1302,3,4-C-14	12.00	7" Dia. Adj. flat grate	\$226.00	\$383.00	\$383.00
F1302,3,4-C-Y	12.00	7" Dia. Non-Adj. tractor grate	\$226.00	\$383.00	\$383.00
F1302,3,4-C-Y-14	12.00	7" Dia. Non-Adj. flat grate	\$226.00	\$383.00	\$383.00

WHEN NO MEMBRANE CLAMP IS REQUIRED DELETE SUFFIX (-C) AND DEDUCT \$43.00

Design and dimensions are subject to modification. Prices do not include applicable taxes. Visit www.mifab.com for the most recent product information.

MIFAB, Inc., 1321 West 119th Street, Chicago, Illinois 60643-5109, USA

Toll Free 1-800-465-2736, Fax 773-341-3049

All sales subject to MIFAB's Terms and Warranties. Please refer to inside front cover.