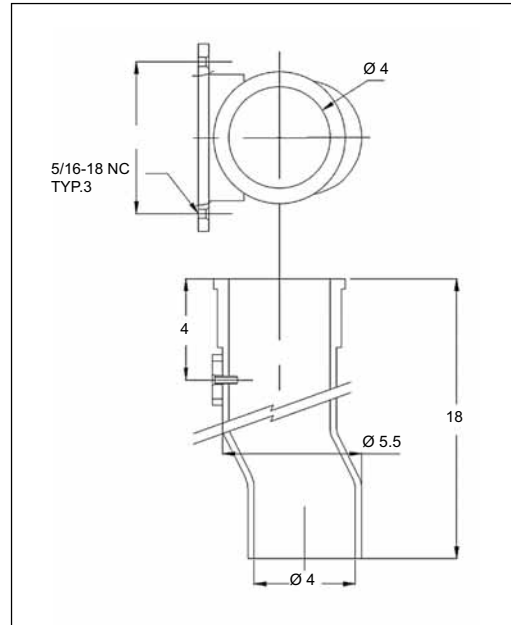
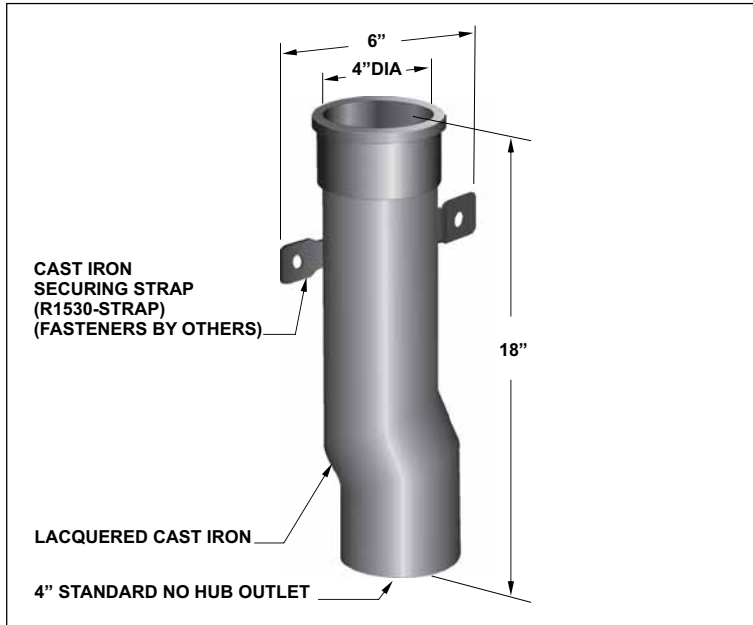


R1530 SERIES 4" ROUND DOWNSPOUT BOOT

**R1530
SERIES**



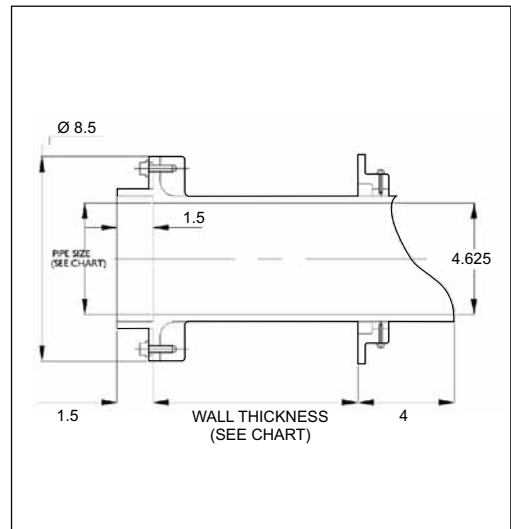
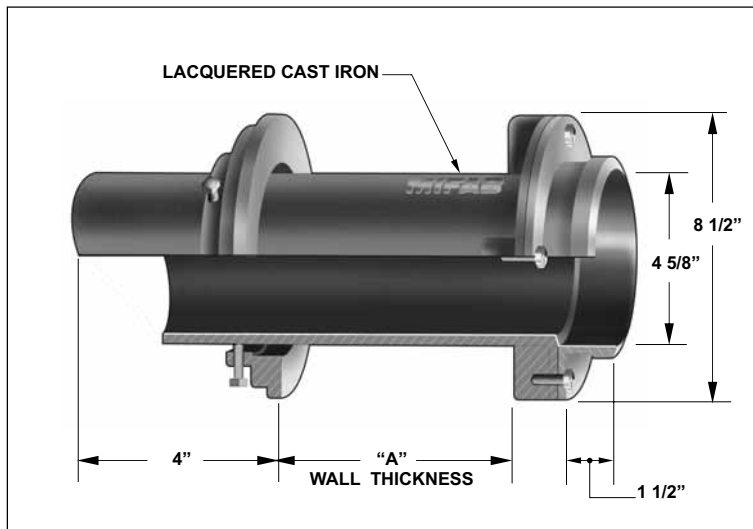
MODEL NO.	WT Lbs.	BODY SIZE	"A" LENGTH	NO HUB PIPE SIZE	LIST PRICE
R1530	15.00	4" dia.	18"	4"	\$ 470.00

R1530 SERIES OPTIONAL VARIATIONS:

SUFFIX	DESCRIPTION	LIST PRICE
-13	All galvanized (Min. order 25 pcs. or P.O.A)	\$ 501.00
-CA	Cleanout access with plug	\$ 349.00

R1640 SERIES PARAPET SCUPPER SLEEVE

**R1640
SERIES**



MODEL NO.	WT Lbs.	NO HUB PIPE SIZE	"A" WALL THICKNESS	LIST PRICE
R1640-8	26.00	4"	8"	\$ 483.00
R1640-11	29.00	4"	11"	\$ 483.00
R1640-13	31.00	4"	13"	\$ 550.00
R1640-17	35.00	4"	17"	\$ 678.00
R1640-22	40.00	4"	22"	\$ 725.00

R1640 SERIES OPTIONAL VARIATIONS:

SUFFIX	DESCRIPTION	LIST PRICE
-13	All galvanized (Min. order 25 pcs. or P.O.A)	\$ 121.00

Design and dimensions are subject to modification. Prices do not include applicable taxes. Visit www.mifab.com for the most recent product information.

MIFAB, Inc., 1321 West 119th Street, Chicago, Illinois 60643-5109, USA

Toll Free 1-800-465-2736, Fax 773-341-3049

All sales subject to MIFAB's Terms and Warranties. Please refer to inside front cover.

ROOF DRAINS