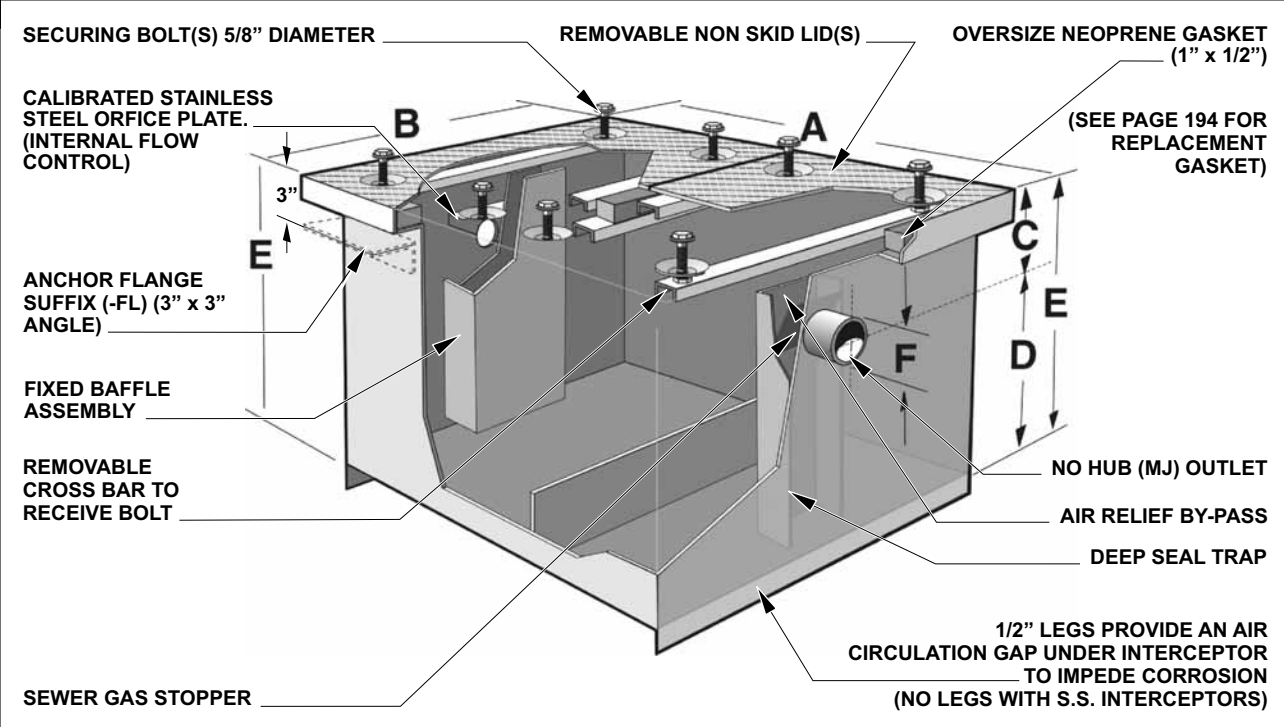


**XL-MI-G
SERIES**

THE PERFORMERS: 75 TO 750 G.P.M. LARGE CAPACITY GREASE INTERCEPTOR

XL-MI-G SERIES

INTERCEPTORS



MIFAB is a recognized industry leader in the field of interceptor design and production.

As such, we offer a variety of specialized options and site-specific applications too numerous to list in this price guide. For features such as sacrificial anode packs, all stainless steel construction and a variety of other special features, please see our Engineering Catalog or consult your local MIFAB representative.

MODEL NO.	US GPM	CAP. LBS.	A IN	B IN	C IN	D IN	E IN	F IN	NO. OF LIDS	NO. OF BOLTS
XL-MI-G-0	75	150	42	28	6	26	32	4	2	8
XL-MI-G-1	100	200	55	37	8	26	34	4	2	8
XL-MI-G-2	125	250	58	38	8	28	36	4	3	12
XL-MI-G-3	150	300	61	39	8	30	38	4	3	12
XL-MI-G-4	200	400	70	44	10	34	44	4	6	24
XL-MI-G-5	250	500	75	46	10	38	48	4	6	24
XL-MI-G-6	300	600	77	49	12	40	52	4	6	24
XL-MI-G-7	350	700	80	51	12	40	52	6	6	24
XL-MI-G-8	400	800	84	56	14	44	58	6	8	32
XL-MI-G-9	500	1000	92	61	14	54	68	6	8	32
XL-MI-G-10	600	1200	102	74	14	62	76	8	9	36
XL-MI-G-11	750	1500	108	76	14	66	80	8	9	36

NOTE: The "A" and "B" dimensions represent the largest dimension of the interceptor (lid). Since the lid overhangs the body by 1/2" on all sides, deduct 1" from the stated dimensions in the charts below to determine the actual body length & width.

NOTE: The "C" dimension is from the center of the inlet/outlet (invert) to the top of the interceptor. Inlet & outlet "C" dimensions are always the same.

NOTE: Suffix -DP for dosing pump - P.O.A. Suffix -HLA- for high level alarm - P.O.A. Suffix -AL, aluminum lid(s) - P.O.A.

MODEL NO.	US GPM	LIST PRICE	SHIPPING WEIGHT LBS.	SEDIMENT BUCKET "-SB" (Add)	BOLT ON EXTENSION (PER 3") (Add)	ADDITIONAL "C" UP TO "10" (Add)	PER "1" OF "C" DIM. OVER "10" (Add)	ANCHOR FLANGE "-FL" (Add)	FLANGE & MEMBRANE CLAMP "-FLM"	HEAVY DUTY REINFORCED LID "-HD" (10,000 Lbs LIVE LOAD (Add))
XL-MI-G-0	75	\$14,645.00	350	\$1,809.00	P.O.A.	\$ 1,743.00	\$ 137.00	\$1,071.00	\$1,945.00	\$ 4,664.00
XL-MI-G-1	100	\$16,481.00	520	\$1,975.00	P.O.A.	\$ 1,958.00	\$ 146.00	\$1,198.00	\$2,176.00	\$ 6,418.00
XL-MI-G-2	125	\$17,394.00	600	\$2,025.00	P.O.A.	\$ 2,071.00	\$ 159.00	\$1,436.00	\$2,434.00	\$ 7,041.00
XL-MI-G-3	150	\$18,306.00	700	\$2,072.00	P.O.A.	\$ 2,178.00	\$ 168.00	\$1,673.00	\$2,695.00	\$ 8,240.00
XL-MI-G-4	200	\$26,547.00	1050	\$2,177.00	P.O.A.	\$ 3,921.00	\$ 176.00	\$1,697.00	\$3,148.00	\$ 9,398.00
XL-MI-G-5	250	\$30,911.00	1160	\$2,298.00	P.O.A.	\$ 4,871.00	\$ 193.00	\$2,391.00	\$4,247.00	\$12,974.00
XL-MI-G-6	300	\$39,792.00	1240	\$2,636.00	P.O.A.	\$ 5,822.00	\$ 218.00	\$2,706.00	\$4,581.00	\$16,656.00
XL-MI-G-7	350	\$40,464.00	1360	\$2,900.00	P.O.A.	\$ 6,765.00	\$ 243.00	\$3,024.00	\$5,078.00	\$19,639.00
XL-MI-G-8	400	\$44,579.00	1540	\$3,217.00	P.O.A.	\$ 7,890.00	\$ 268.00	\$3,163.00	\$5,317.00	\$22,618.00
XL-MI-G-9	500	\$52,765.00	2150	\$3,441.00	P.O.A.	\$10,168.00	\$ 291.00	\$3,590.00	\$5,560.00	\$27,636.00
XL-MI-G-10	600	\$61,140.00	3000	\$3,796.00	P.O.A.	\$11,595.00	\$ 370.00	\$4,217.00	\$6,039.00	\$31,628.00
XL-MI-G-11	750	\$69,569.00	3280	\$4,217.00	P.O.A.	\$13,704.00	\$ 529.00	\$5,271.00	\$8,434.00	\$42,169.00

NOTE: Add SUFFIX "-T" for threaded inlet & outlet, no add. SUFFIX -TL, Lid recessed for tile P.O.A.

Design and dimensions are subject to modification. Prices do not include applicable taxes. Visit www.mifab.com for the most recent product information.

MIFAB, Inc., 1321 West 119th Street, Chicago, Illinois 60643-5109, USA

Toll Free 1-800-465-2736, Fax 773-341-3049

All sales subject to MIFAB's Terms and Warranties. Please refer to inside front cover.