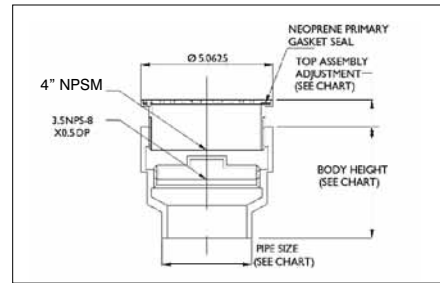
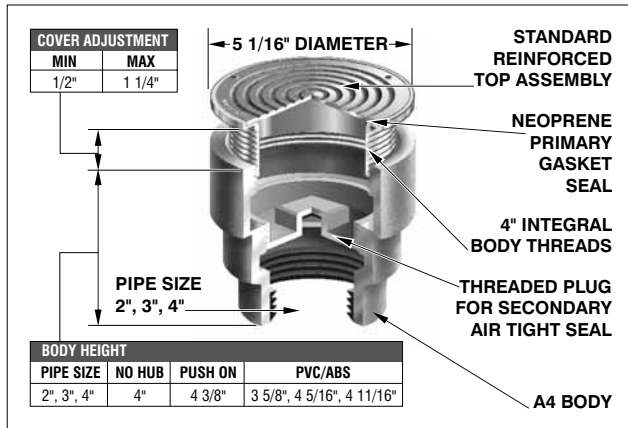


C1222,3,4 SERIES FERRULE CLEANOUT WITH ADJUSTABLE TOP & SECONDARY PLUG C1222,3,4 SERIES



ANSI/ASME RATING	
COVER	LOAD RATING
5" DIA. NB	2000-4999 lbs
5" DIA. SS	5000-7499 lbs
5" DIA. DI	OVER 10,000 lbs

(* Denotes strainer finish (-1, -3 or -4)



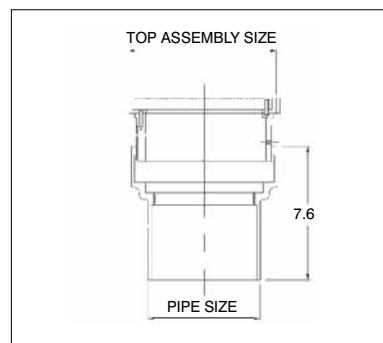
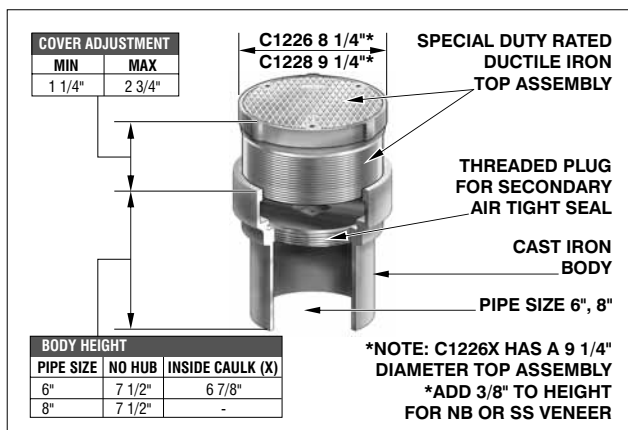
CLEANOUTS

C1222,3,4 FERRULE CLEANOUT WITH ADJUSTABLE TOP AND SECONDARY PLUG						
MODEL NUMBER	WT. Lbs	DESCRIPTION	NO HUB OUTLET SIZE	LACQUERED CAST IRON BODY WITH:		
				DUCTILE IRON (-4)	NB (-1) OR SS (-3)	
C1222,3,4-R	5.65	5" Round top	2", 3", 4"	\$357.00	\$456.00	
C1222,3,4-RC	5.65	5" Round top with SS carpet marker	2", 3", 4"	\$398.00	\$496.00	
C1222,3,4-RFC7	6.50	7" Round top with clamping flange	2", 3", 4"	-	\$603.00*	
C1222,3,4-S	5.65	5" square top	2", 3", 4"	-	\$456.00	
C1222,3,4-T	5.65	5" Round top with tile recess	2", 3", 4"	-	\$456.00	
C1222,3,4-TS	5.65	5" Square top with tile recess	2", 3", 4"	-	\$456.00	
C1222,3,4-UR	5.65	5" Round top with terrazzo recess	2", 3", 4"	-	\$638.00	
C1222,3,4-US	5.65	5" Square top with terrazzo recess	2", 3", 4"	-	\$638.00	
C1222,3,4-XR	5.65	5" Heavy duty round top	2", 3", 4"	\$357.00	\$456.00	
C1222,3,4-XS	5.65	5" Heavy duty square top	2", 3", 4"	-	\$456.00	

*RFC9 IN STAINLESS STEEL ONLY; \$538.00 LIST PRICE FOR 2", 3", 4"; \$793.00 LIST PRICE FOR 6" SIZE

C1222,3,4 OPTIONAL VARIATIONS:					
SUFFIX	DESCRIPTION	LIST PRICE	SUFFIX	DESCRIPTION	LIST PRICE
-6	Security screws (TR25 Torx & pin)	\$ 36.00	-31	ABS socket connection body*	No Add
-11	Acid resistant epoxy coating (Min. order 25 pcs. or P.O.A.)	\$185.00	-34B	Brass closure plug	\$ 99.00
-13	All galvanized (Min. order 25 pcs. or P.O.A.)	\$113.00	P	Push on outlet (2", 3", 4")	No Add
-30	PVC socket connection body*	No Add		*2", 3", 4" socket connections only	

C1226,8 SERIES FERRULE CLEANOUT WITH ADJUSTABLE TOP & SECONDARY PLUG C1226,8 SERIES



(* Denotes outlet size (6" or 8")
 (** Denotes connection type
 (***) Denotes cover diameter (6" or 8")
 (****) Denotes cover finish (-1, -3 or -4)



C1226,8 FERRULE CLEANOUT WITH ADJUSTABLE TOP AND SECONDARY PLUG				
MODEL NUMBER	WT. Lbs	OUTLET SIZE	LACQUERED CAST IRON BODY WITH:	
			DUCTILE IRON (-4)	NB (-1) OR SS (-3)
C1226	20.00	6"	\$624.00	\$741.00
C1228	25.00	8"	\$741.00	\$847.00

ANSI/ASME RATING	
COVER	LOAD RATING
6", 8" DIAMETER NB	OVER 10,000 lbs
6", 8" DIAMETER SS	OVER 10,000 lbs
6", 8" DIAMETER DI	OVER 10,000 lbs

C1226,8 OPTIONAL VARIATIONS:					
SUFFIX	DESCRIPTION	LIST PRICE	SUFFIX	DESCRIPTION	LIST PRICE
-6	Security screws (TR25 Torx & pin)	\$ 36.00	-34B	Brass closure plug	\$317.00
-11	Acid resistant epoxy coating (Min. order 25 pcs. or P.O.A.)	\$185.00	P	Push on outlet (6" only)	No Add
-13	All galvanized (Min. order 25 pcs. or P.O.A.)	\$113.00	X	Inside caulk outlet (6" only)	No Add

*2", 3", 4" socket connections only *Specify POG-6 for C.I. pipe and POG-6-PVC for PVC pipe. 2", 3", 4" sizes use same gasket.

Design and dimensions are subject to modification. Prices do not include applicable taxes. Visit www.mifab.com for the most recent product information.

MIFAB, Inc., 1321 West 119th Street, Chicago, Illinois 60643-5109, USA

Toll Free 1-800-465-2736, Fax 773-341-3049

All sales subject to MIFAB's Terms and Warranties. Please refer to inside front cover.