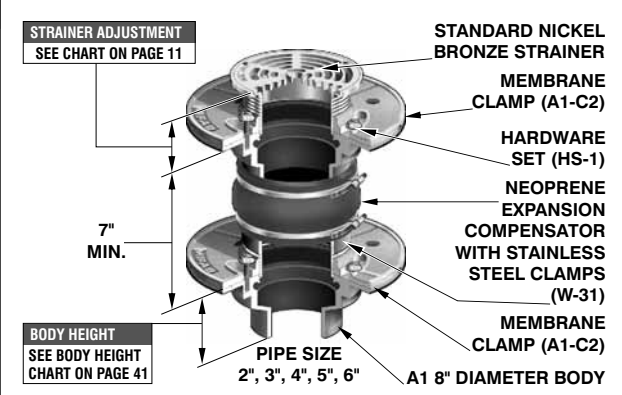


F1600-C SERIES ISOLATION FLOOR DRAIN W/ROUND REINFORCED ADJ. STRAINER

F1600-C SERIES



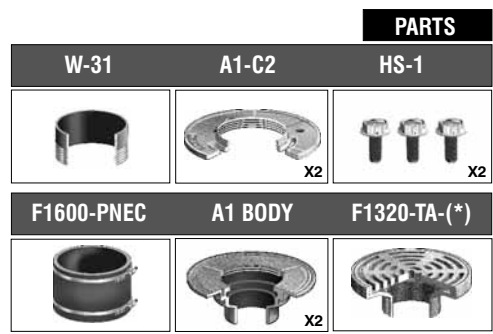
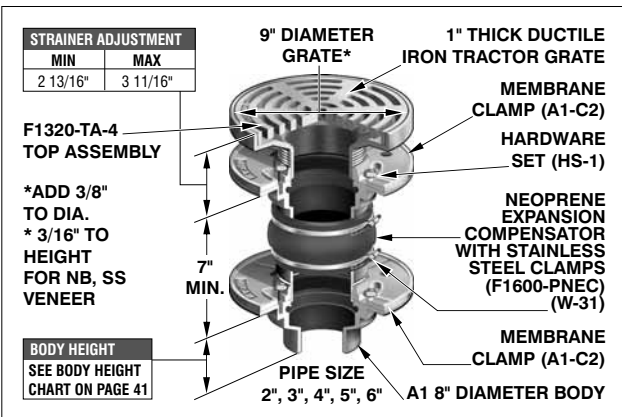
(*) Denotes strainer size (5\", 6\", 7\" or 8\")
 (**) Denotes strainer finish (-1, -3 or -4)

F1600-C ISOLATION DRAIN WITH ROUND REINFORCED ADJUSTABLE STRAINER

MODEL NUMBER	WT. Lbs	STRAINER DESCRIPTION	LIST PRICE LACQUERED CAST IRON BODY WITH:		
			DUCTILE IRON (-4)	NICKEL BRONZE (-1)	STAINLESS STEEL (-3)
F1602,3,4-C-5	15.00	5\" Diameter	\$709.00	\$740.00	\$740.00
F1602,3,4-C-6	17.00	6\" Diameter	-	\$795.00	\$795.00
F1602,3,4-C-7	17.50	7\" Diameter	-	\$842.00	\$842.00
F1602,3,4-C-8	19.00	8\" Diameter	\$833.00	\$931.00	\$931.00

F1620-C SERIES ISOLATION AREA DRAIN W/9\" ROUND ADJ. TRACTOR GRATE

F1620-C SERIES



(*) Denotes strainer finish (-1, -3 or -4)

F1620-C ISOLATION FLOOR DRAIN WITH 9\" ROUND ADJUSTABLE TRACTOR GRATE

MODEL NUMBER	WT. Lbs	STRAINER DESCRIPTION	LACQUERED CAST IRON BODY WITH:		
			DUCTILE IRON (-4)	NICKEL BRONZE (-1)	STAINLESS STEEL (-3)
F1622,3,4-C	24.00	9\" Diameter	\$777.00	\$940.00	\$940.00

ANSI/ASME RATING		
STRAINER	FREE AREA	LOAD RATING
F1320-TA-4	18.0 IN ²	OVER 10,000 lbs

F1600-C AND F1620-C OPTIONAL VARIATIONS:

SUFFIX	DESCRIPTION	F1600-C	F1620-C	SUFFIX	DESCRIPTION	F1600-C	F1620-C
-5	Sediment bucket (A1-PB)	\$ 56.00	\$ 71.00	-41	Sump receiver (A1-BP)	\$ 132.00	\$ 132.00
-6	Vandal proof (TR25 (F1600), TR30 (F1620) Torx and pin)	\$ 28.00	\$ 76.00	-49	Chr. Pl. strainer assembly (-1 only)	\$ 15.00	N/A
-7	Trap seal primer tapping	No Add	No Add	-90	Threaded side outlet	\$ 112.00	\$ 112.00
-8	Backwater valve (BV1250 Series) (2\", 3\", 4\")	\$ 195.00	\$ 195.00	-95	Client logo (Min order applies)	P.O.A.	N/A
-10	Decorative polished top (10 pce. min. order)	P.O.A.	N/A	-C1	Low rough in membrane clamp (A1-C1)	\$ 43.00	\$ 43.00
-11	Acid resistant epoxy coating (Min. order 25 pcs. or P.O.A.)	\$ 712.00	\$ 712.00	-F4-(1,3)	4\" NB or SS round funnel	\$ 218.00	\$ 218.00
-13	All galvanized (Min. order 25 pcs. or P.O.A.)	\$ 712.00	\$ 712.00	-F4-50	4\" cast iron round funnel	\$ 91.00	\$ 91.00
-15	Extension (DD-50)	\$ 71.00	\$ 71.00	-F6-(1,3)	6\" NB or SS round funnel	\$ 325.00	\$ 325.00
-16	Square top	-	\$ 121.00	-F6-50	6\" cast iron round funnel	\$ 147.00	\$ 147.00
-20	Secondary dome strainer	-	\$ 76.00	-G-(1,3)	4\" x 9\" NB or SS oval funnel	\$ 454.00	\$ 454.00
-21	Secondary flat strainer (FD-9600 Series)	-	\$ 31.00	-G-50	4\" x 9\" C.I. oval funnel	\$ 218.00	\$ 218.00
-24	Solid secured cover	-	P.O.A.	-J-(1,3)	3\" x 1\" NB or SS oval funnel	P.O.A.	P.O.A.
-28	Stainless Steel Body (Type 304) (2\", 3\", 4\")	P.O.A.	P.O.A.	-J-50	3\" x 1\" cast iron oval funnel	P.O.A.	P.O.A.
-30	PVC Socket Connection Body* (2\", 3\", 4\")	No Add	No Add	P	Push on outlet (2\", 3\" or 4\")	No Add	No Add
-31	ABS Socket Connection Body* (2\", 3\", 4\")	No Add	No Add	T	Threaded outlet (2\", 3\" or 4\")	\$ 40.00	\$ 40.00
-32	Integral 2,3,4\" Deep Seal Trap (MI-950 Series)	\$ 226.00	\$ 226.00	-Z	Extended wide elastomeric flange	P.O.A.	P.O.A.
-34	Closure plug (C1440 Series)	\$ 187.00	\$ 187.00	X	Inside caulk outlet (2\", 3\" or 4\")	No Add	No Add
-40	Underdeck clamp (A1-C3)	\$ 77.00	\$ 77.00	6	6\" no hub outlet	\$ 284.00	\$ 284.00

Design and dimensions are subject to modification. Prices do not include applicable taxes. Visit www.mifab.com for the most recent product information.

MIFAB, Inc., 1321 West 119th Street, Chicago, Illinois 60643-5109, USA

Toll Free 1-800-465-2736, Fax 773-341-3049

All sales subject to MIFAB's Terms and Warranties. Please refer to inside front cover.