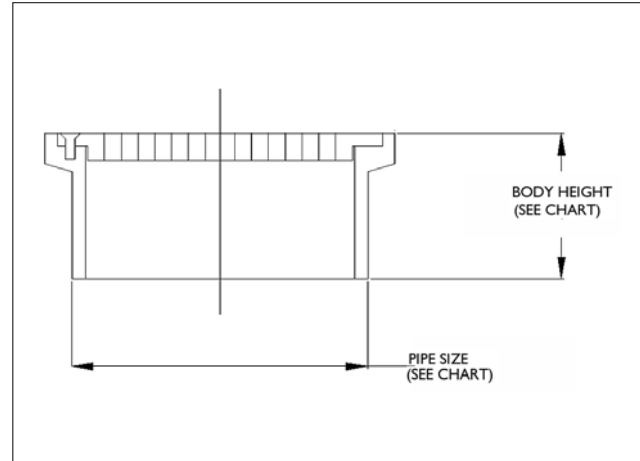
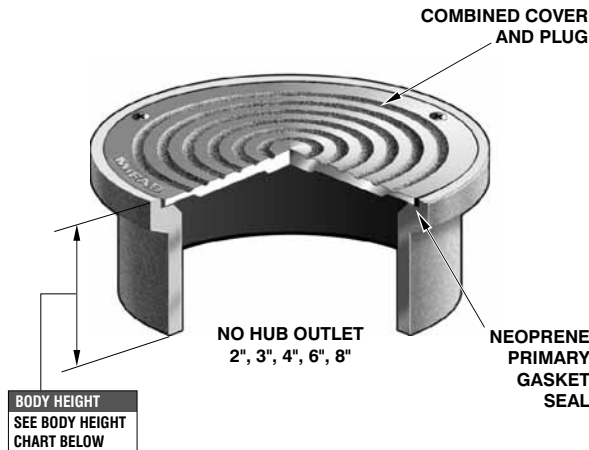


C1230 SERIES LINE OR FLOOR CLEANOUT

C1230 SERIES

CLEANOUTS



C1230 LINE OR FLOOR CLEANOUT				
MODEL NUMBER	WT. Lbs	DESCRIPTION	LIST PRICE	ADD FOR NICKEL BRONZE COVER (-1)
C1232-4	4.75	2" C.I. body with ductile iron cover	\$ 49.00	-
C1233-4	4.75	3" C.I. body with ductile iron cover	\$ 77.00	-
C1234-4	5.25	4" C.I. body with ductile iron cover	\$106.00	-
C1236-4	5.25	6" C.I. body with ductile iron cover	\$217.00	-
C1238-4	6.00	8" C.I. body with ductile iron cover	\$403.00	-
C1232-1	4.75	2" NB body with NB cover	\$190.00	-
C1233-1	4.75	3" NB body with NB cover	\$220.00	-
C1234-1	5.25	4" NB body with NB cover	\$224.00	-
C1232-30	4.75	2" PVC body with ductile iron cover	\$ 92.00	\$ 99.00
C1233-30	3.25	3" PVC body with ductile iron cover	\$121.00	\$ 99.00
C1234-30	3.50	4" PVC body with ductile iron cover	\$127.00	\$ 99.00
C1232-31	3.25	2" ABS body with ductile iron cover	\$ 92.00	\$ 99.00
C1233-31	3.25	3" ABS body with ductile iron cover	\$121.00	\$ 99.00
C1234-31	3.50	4" ABS body with ductile iron cover	\$127.00	\$ 99.00

BODY HEIGHT		
PIPE SIZE	NB/CI	PVC/ABS
2", 3"	2 3/16"	2 5/8"
4"	2 3/16"	2 5/8"
6", 8"	3 1/2"	N/A

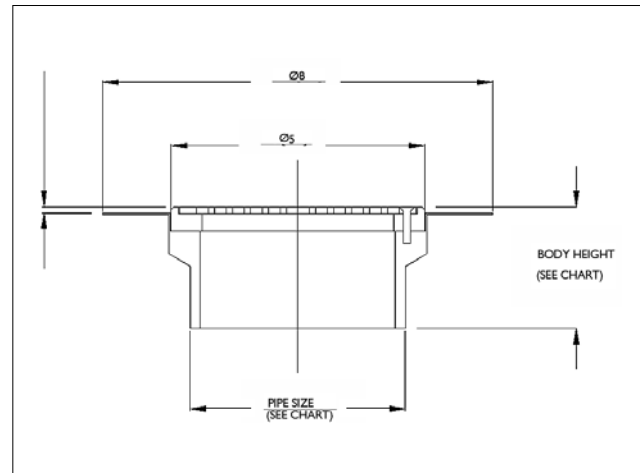
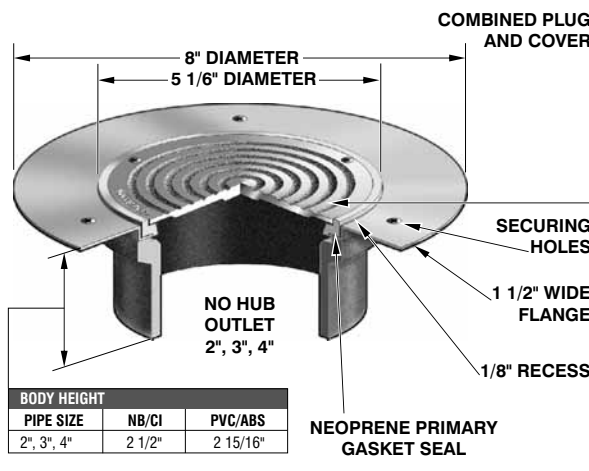


ANSI/ASME RATING	
COVER	LOAD RATING
5" DIAMETER NB	2000 - 4999 lbs
5" DIAMETER DI	OVER 10,000 lbs

C1230 OPTIONAL VARIATIONS:		
SUFFIX	DESCRIPTION	LIST PRICE
-6	Security screws (TR25 Torx & pin)	\$ 36.00
-11	Acid resistant epoxy coating (Min. order 25 pcs. or P.O.A.)	\$ 81.00
-13	All galvanized (Min. order 25 pcs. or P.O.A.)	\$ 81.00
-34	T-cone plug and gasket (C1440 Series)	\$187.00
P	Push on outlet (2", 3", 4")	No add

C1230-WF SERIES FLOOR CLEANOUT FOR WOOD FLOOR INSTALLATIONS

C1230-WF SERIES



C1230-WF FLOOR CLEANOUT FOR WOOD FLOOR INSTALLATIONS				
MODEL NUMBER	WT. Lbs	DESCRIPTION	LIST PRICE	ADD FOR NICKEL BRONZE COVER (-1)
C1232,3-WF-4	4.75	2",3" C.I. body w/ductile iron cover	\$305.00	-
C1234-WF-4	5.25	4" C.I. body with ductile iron cover	\$428.00	-
C1232,3-WF-30	3.25	2",3" PVC body w/ductile iron cover	\$305.00	\$483.00
C1234-WF-30	3.50	4" PVC body w/ductile iron cover	\$442.00	\$483.00
C1232,3-WF-31	3.25	2",3" ABS body w/ductile iron cover	\$305.00	\$483.00
C1234-WF-31	3.50	4" ABS body with ductile iron cover	\$442.00	\$483.00

ANSI/ASME RATING	
COVER	LOAD RATING
5" DIAMETER NB	2000 - 4999 lbs
5" DIAMETER DI	OVER 10,000 lbs

C1230-WF OPTIONAL VARIATIONS:		
SUFFIX	DESCRIPTION	LIST PRICE
-6	Security screws (TR25 Torx and pin)	\$ 36.00
-11	Acid resistant epoxy coating (Min. order 25 pcs. or P.O.A.)	\$130.00
-13	All galvanized (Min. order 25 pcs. or P.O.A.)	\$130.00

Design and dimensions are subject to modification. Prices do not include applicable taxes. Visit www.mifab.com for the most recent product information.

MIFAB, Inc., 1321 West 119th Street, Chicago, Illinois 60643-5109, USA

Toll Free 1-800-465-2736, Fax 773-341-3049

All sales subject to MIFAB's Terms and Warranties. Please refer to inside front cover.