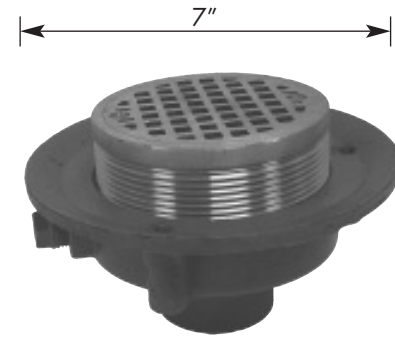
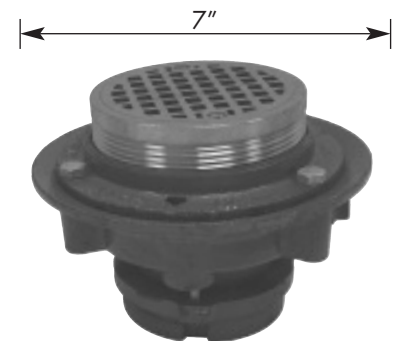


**F110 - FLOOR DRAIN WITH 7" DIA.CAST IRON BODY AND ROUND, ADJUSTABLE NICKEL BRONZE STRAINER - WITH TRAP PRIMER TAPPING AND PLUG (8 per carton)**

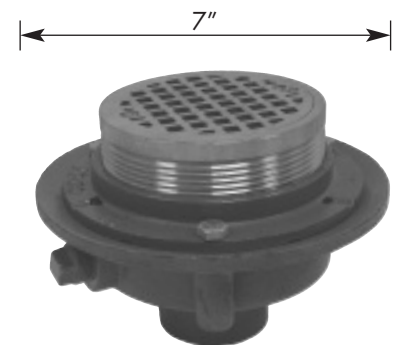
| MODEL NUMBER  | OUTLET SIZE | OUTLET TYPE | WT LBS. | STRAINER DIAMETER | LIST PRICE |
|---------------|-------------|-------------|---------|-------------------|------------|
| F112,3,4-4-1  | 2", 3", 4"  | No Hub      | 4.75    | 4"                | \$62.50    |
| F112,3,4-5-1  | 2", 3", 4"  | No Hub      | 5.00    | 5"                | 62.50      |
| F112,3,4-6-1  | 2", 3", 4"  | No Hub      | 5.50    | 6"                | 113.50     |
| F112,3,4-7-1  | 2", 3", 4"  | No Hub      | 6.00    | 7"                | 115.50     |
| F112,3,4-8-1  | 2", 3", 4"  | No Hub      | 7.00    | 8"                | 137.50     |
| F112,3,4P-4-1 | 2", 3", 4"  | Push on     | 5.25    | 4"                | 78.00      |
| F112,3,4P-5-1 | 2", 3", 4"  | Push on     | 5.50    | 5"                | 78.00      |
| F112,3,4P-6-1 | 2", 3", 4"  | Push on     | 6.00    | 6"                | 129.00     |
| F112,3,4P-7-1 | 2", 3", 4"  | Push on     | 6.50    | 7"                | 131.00     |
| F112,3,4P-8-1 | 2", 3", 4"  | Push on     | 7.50    | 8"                | 153.00     |



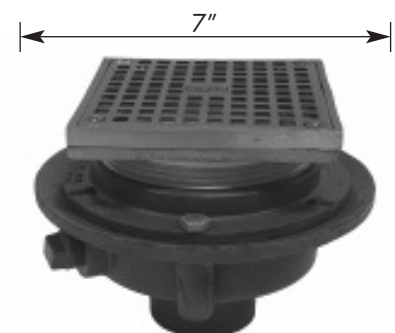
**F110-4-1**  
(with No Hub Outlet Connection)



**F110P-C-5-1**  
(with Push On Gasket Connection)



**F110-C-4-1**  
(with No Hub Outlet Connection)



**F110-C-S5-1**  
(with No Hub Outlet Connection)

**F110-C - FLOOR DRAIN WITH 7" DIA.CAST IRON BODY AND ROUND, ADJUSTABLE NICKEL BRONZE STRAINER -WITH MEMBRANE CLAMP AND TRAP PRIMER TAPPING AND PLUG**

| MODEL NUMBER    | OUTLET SIZE | OUTLET TYPE | WT LBS. | STRAINER DIAMETER | LIST PRICE |
|-----------------|-------------|-------------|---------|-------------------|------------|
| F112,3,4-C-4-1  | 2", 3", 4"  | No Hub      | 7.25    | 4"                | 67.50      |
| F112,3,4-C-5-1  | 2", 3", 4"  | No Hub      | 7.50    | 5"                | 67.50      |
| F112,3,4-C-6-1  | 2", 3", 4"  | No Hub      | 8.00    | 6"                | 118.50     |
| F112,3,4-C-7-1  | 2", 3", 4"  | No Hub      | 8.50    | 7"                | 120.50     |
| F112,3,4-C-8-1  | 2", 3", 4"  | No Hub      | 9.50    | 8"                | 142.50     |
| F112,3,4P-C-4-1 | 2", 3", 4"  | Push on     | 7.75    | 4"                | 75.00      |
| F112,3,4P-C-5-1 | 2", 3", 4"  | Push on     | 8.00    | 5"                | 75.00      |
| F112,3,4P-C-6-1 | 2", 3", 4"  | Push on     | 8.50    | 6"                | 138.00     |
| F112,3,4P-C-7-1 | 2", 3", 4"  | Push on     | 9.00    | 7"                | 148.00     |
| F112,3,4P-C-8-1 | 2", 3", 4"  | Push on     | 10.00   | 8"                | 160.00     |

**F110-S - FLOOR DRAIN WITH 7" DIA.CAST IRON BODY AND SQUARE, ADJUSTABLE NICKEL BRONZE STRAINER AND TRAP PRIMER TAPPING AND PLUG - NO MEMBRANE CLAMP**

| MODEL NUMBER   | OUTLET SIZE | OUTLET TYPE | WT LBS. | STRAINER SIZE | LIST PRICE |
|----------------|-------------|-------------|---------|---------------|------------|
| F112,3,4-S5-1  | 2", 3", 4"  | No Hub      | 6.00    | 5" x 5"       | \$113.50   |
| F112,3,4-S6-1  | 2", 3", 4"  | No Hub      | 8.50    | 6" x 6"       | 113.50     |
| F112,3,4P-S5-1 | 2", 3", 4"  | Push on     | 6.50    | 5" x 5"       | 129.00     |
| F112,3,4P-S6-1 | 2", 3", 4"  | Push on     | 9.00    | 6" x 6"       | 129.00     |

**F110-C-S - FLOOR DRAIN WITH 7"DIA. CAST IRON BODY AND SQUARE, ADJUSTABLE NICKEL BRONZE STRAINER - WITH MEMBRANE CLAMP AND TRAP PRIMER TAPPING AND PLUG**

| MODEL NUMBER     | OUTLET SIZE | OUTLET TYPE | WT LBS. | STRAINER SIZE | LIST PRICE |
|------------------|-------------|-------------|---------|---------------|------------|
| F112,3,4-C-S5-1  | 2", 3", 4"  | No Hub      | 8.50    | 5" x 5"       | \$118.50   |
| F112,3,4-C-S6-1  | 2", 3", 4"  | No Hub      | 11.00   | 6" x 6"       | 118.50     |
| F112,3,4P-C-S5-1 | 2", 3", 4"  | Push on     | 9.00    | 5" x 5"       | 140.00     |
| F112,3,4P-C-S6-1 | 2", 3", 4"  | Push on     | 11.50   | 6" x 6"       | 140.00     |

All sales subject to MIFAB's terms and warranties. Please refer to inside front cover.

FLOOR DRAINS