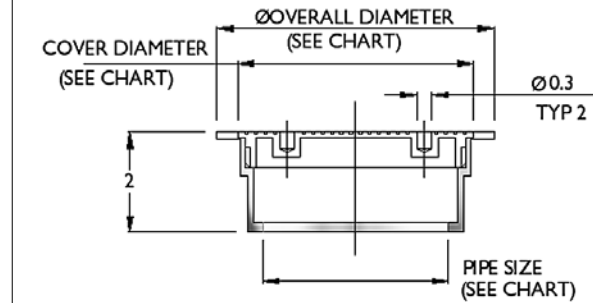
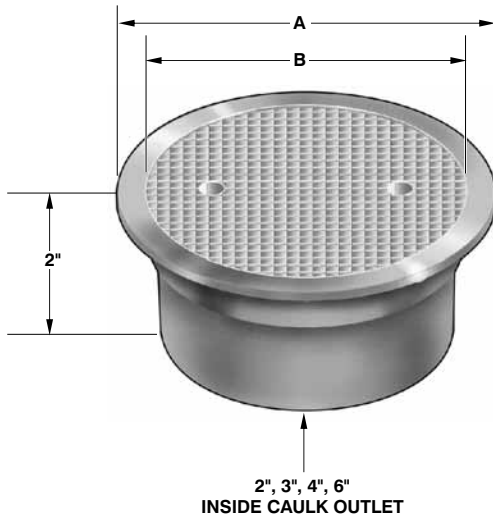


C1500 SERIES DECK CLEANOUT

C1500 SERIES

CLEANOUTS



C1500 DECK CLEANOUT

MODEL NUMBER	WT. Lbs	DESCRIPTION	NICKEL BRONZE (-1)
C1502X	3.00	2" round deck cleanout	\$252.00
C1503X	4.00	3" round deck cleanout	\$349.00
C1504X	6.00	4" round deck cleanout	\$389.00
C1506X	12.00	6" round deck cleanout	\$671.00



H-1042 "T" WRENCH TOOL

OVERALL & COVER DIAMETER

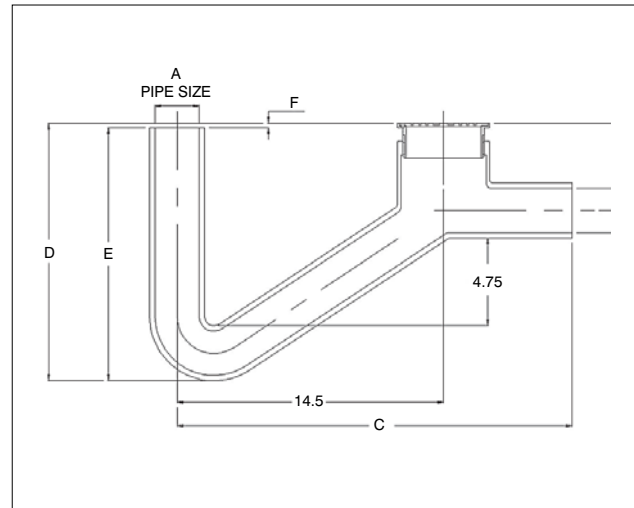
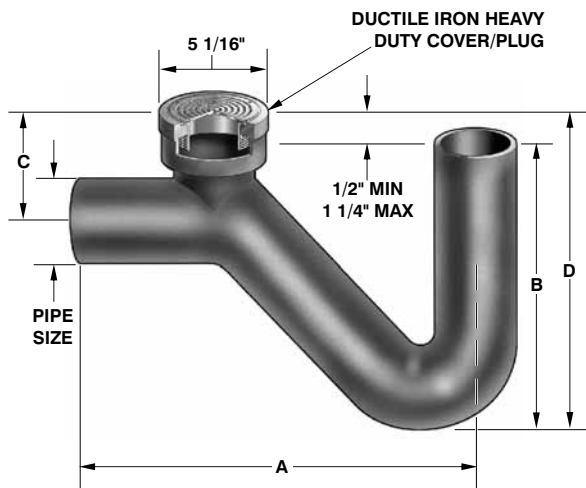
PIPE SIZE	OVERALL (A)	COVER (B)
2" I.C.	4 3/4"	2 3/4"
3" I.C.	6"	3 1/2"
4" I.C.	7 3/8"	4 1/2"
6" I.C.	9 3/8"	7 7/8"

C1500 OPTIONAL VARIATIONS:

SUFFIX	DESCRIPTION	LIST PRICE
H-1042	"T" wrench tool	\$ 77.00

C1600 SERIES DEEP SEAL TRAP WITH FLOOR CLEANOUT

C1600 SERIES



MODEL NUMBER	PIPE SIZE	LENGTH A	TRAP HEIGHT B	INVERT C	HEIGHT D
C1602	2" no hub	16 1/2"	12 1/2"	4 3/4"	12 3/4"
C1603	3" no hub	21 1/2"	12 3/4"	5 1/2"	15"
C1604	4" no hub	21 3/4"	15 1/2"	6"	17"

C1600 DEEP SEAL TRAP WITH FLOOR CLEANOUT

MODEL NUMBER	WT. Lbs	DESCRIPTION	DUCTILE IRON COVER (-4)	NICKEL BRONZE (-1) STAINLESS STEEL (COVER) (-3)
C1602	43.00	Deep seal trap and cleanout	\$543.00	\$642.00
C1603	45.00	Deep seal trap and cleanout	\$698.00	\$797.00
C1604	47.00	Deep seal trap and cleanout	\$791.00	\$892.00

C1600 OPTIONAL VARIATIONS:

SUFFIX	DESCRIPTION	LIST PRICE
-13	All galvanized (Min. order on 25 pcs. or P.O.A.)	\$271.00

Design and dimensions are subject to modification. Prices do not include applicable taxes. Visit www.mifab.com for the most recent product information.

MIFAB, Inc., 1321 West 119th Street, Chicago, Illinois 60643-5109, USA

Toll Free 1-800-465-2736, Fax 773-341-3049