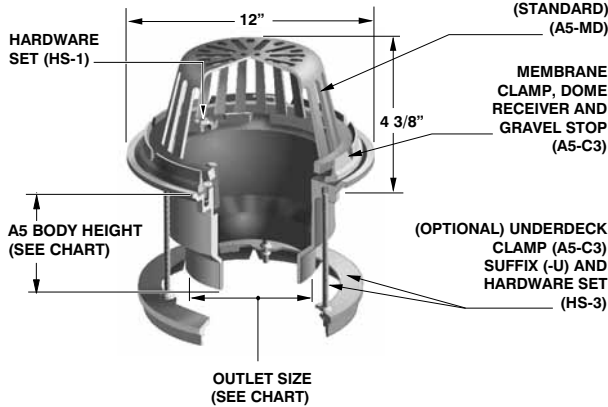


R1220 SERIES MEDIUM SUMP ROOF DRAIN

R1220 SERIES

71.50 IN² FREE AREA DOME



PARTS

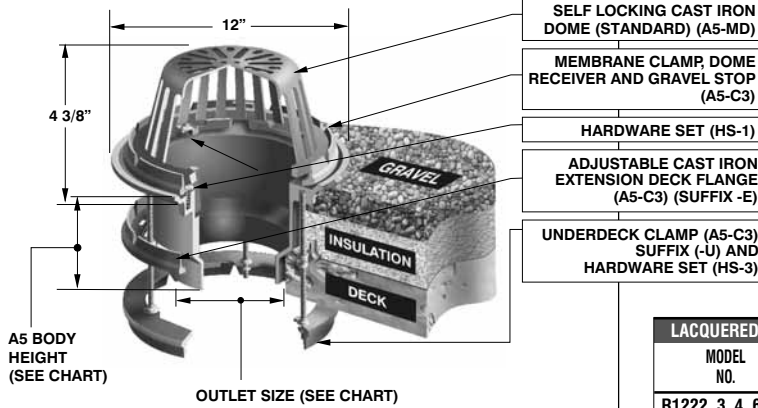
HS-1	A5-C3
A5-MD	A5 BODY

LACQUERED CAST IRON BODY WITH:			
MODEL NO.	WT Lbs.	OUTLET SIZE (NO HUB STANDARD)	CAST IRON DOME (-M)
R1222, 3, 4, 6	26.50	2", 3", 4", 6"	\$323.00

R1220-EU SERIES MEDIUM SUMP EXTENSION ROOF DRAIN FOR 1 3/4" TO 7" INSULATION

R1220-EU SERIES

71.50 IN² FREE AREA DOME



PARTS

HS-1	A5-C3
A5-MD	A5 BODY
HS-3	

LACQUERED CAST IRON BODY WITH:			
MODEL NO.	WT Lbs.	OUTLET SIZE (NO HUB STANDARD)	CAST IRON DOME (-M)
R1222, 3, 4, 6-EU	26.50	2", 3", 4", 6"	\$660.00

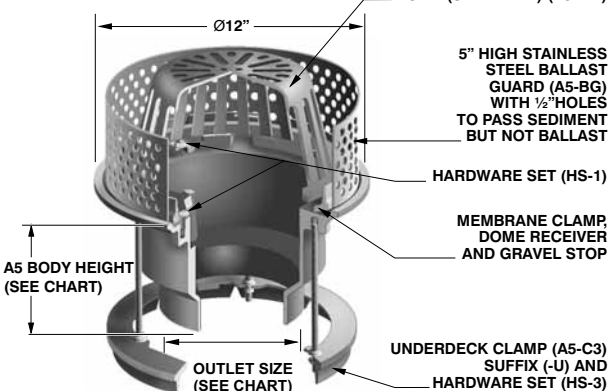
R1220, R1220-EU, R1220-G, R1220-JC, R1220-PR, R1220-R AND R1220-RS SERIES OPTIONAL VARIATIONS:

SUFFIX	DESCRIPTION	LIST PRICE	SUFFIX	DESCRIPTION	LIST PRICE
-6	Vandal proof dome (Metal dome only) (H-1029)	\$ 58.00	-B3	Stainless steel mesh screen over dome	\$ 240.00
-11	Acid resistant epoxy (Excluding polydome (Min. order 25 pcs. or P.O.A.))	\$ 525.00	-B	Sump receiver (A5-BP)	\$ 132.00
-12	Galvanized metal dome (Min. order 25 pcs. or P.O.A.)	\$ 66.00	-C	Secondary clamp (A5-C3)	\$ 77.00
-12A	Galvanized body and membrane clamp (Min. order 25 pcs. or P.O.A.)	\$ 170.00	-E	Adjustable extension (See page 72, point #7)	\$ 260.00
-13	Galvanized body, membrane clamp and dome (Min. order 25 pcs. or P.O.A.)	\$ 202.00	-EG	Galvanized adjustable extension	\$ 548.00

R1220-G SERIES MEDIUM SUMP ROOF DRAIN WITH BALLAST GUARD FOR IRMA ROOFS

R1220-G SERIES

71.50 IN² FREE AREA DOME



A5-BG	A5-MD	A5-C3	A5 BODY
HS-1			

LACQUERED CAST IRON BODY WITH:			
MODEL NO.	WT Lbs.	OUTLET SIZE (NO HUB STANDARD)	CAST IRON DOME (-M)
R1222, 3, 4, 6-G	32.00	2", 3", 4", 6"	\$646.00

A5 BODY HEIGHT CHART		
PIPE SIZE	NO HUB (STANDARD)	INSIDE CAULK (X)
2"	6.45"	6.575"
3"	6.45"	6.575"
4"	6.45"	6.575"
6"	6.45"	6.575"

ROOF DRAINS

Design and dimensions are subject to modification. Prices do not include applicable taxes. Visit www.mifab.com for the most recent product information.

MIFAB, Inc., 1321 West 119th Street, Chicago, Illinois 60643-5109, USA

Toll Free 1-800-465-2736, Fax 773-341-3049

All sales subject to MIFAB's Terms and Warranties. Please refer to inside front cover.