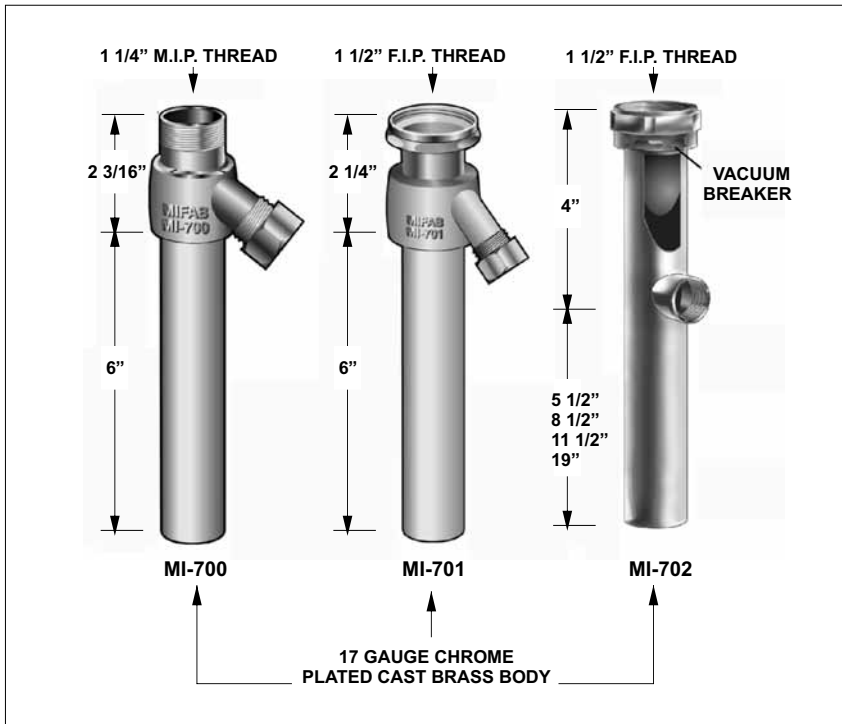


MI-700 SERIES GRAVITY FED TRAP SEAL PRIMERS

MIFAB's MI-700 Series trap seal primers are engineered to prime one floor drain trap that is no further than twenty feet from the fixture supplying the prime. A 1/2" (13) O.D. copper make-up water line connecting the trap seal primer to the floor drain trap is recommended for the M-700 & MI-701

Note: S.S. braided supply pipe w/escutcheon is available for the MI-702 (option -BH)

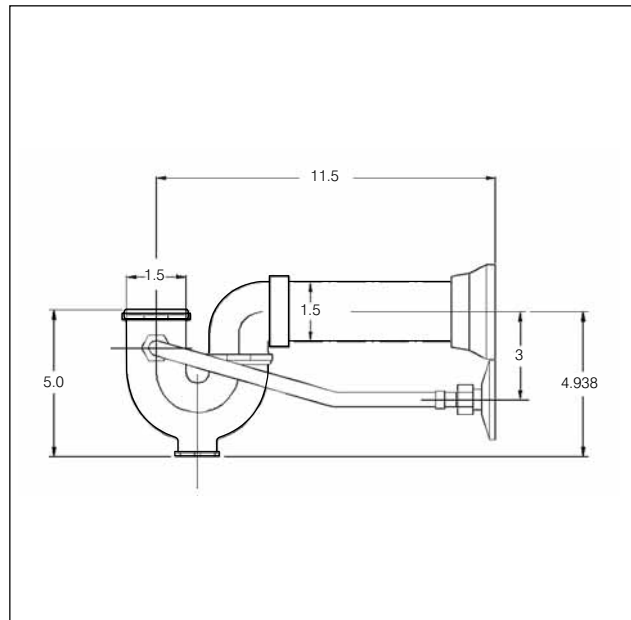
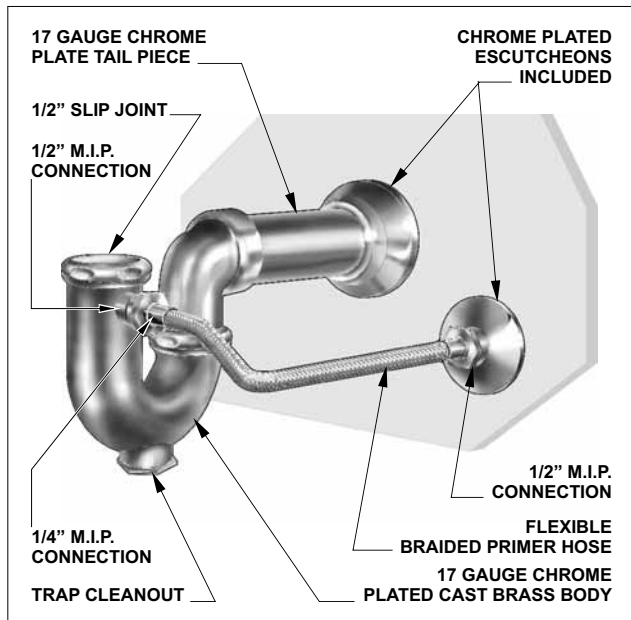


TRAP SEAL PRIMERS

SEE COUNTERLINE PRICE BOOK
CLPB-2009-USA
FOR LIST PRICES
AND
DISCOUNT STRUCTURE
OF MI-700 SERIES OF GRAVITY FED
TRAP SEAL PRIMERS

MODEL NO.	DESCRIPTION	LIST PRICE	SHIP WEIGHT (Lbs.)	CARTON QTY.	CARTON WEIGHT (Lbs.)
MI-700	1 1/4" Lavatory Trap seal Primer	P.O.A.	0.75	20	15.00
MI-701	1 1/2" Valve Trap seal Primer	P.O.A.	1.25	20	25.00
MI-702-9.5	1 1/2" Valve Trap seal Primer w/ VP 9 1/2" long	P.O.A.	1.25	20	25.00
MI-702-12.5	1 1/2" Valve Trap seal Primer w/ VP 12 1/2" long	P.O.A.	1.50	20	30.00
MI-702-15.5	1 1/2" Valve Trap seal Primer w/ VP 15 1/2" long	P.O.A.	1.75	20	35.00
MI-702-23	1 1/2" Valve Trap seal Primer w/ VP 23" long	P.O.A.	2.25	20	45.00

MI-750 SERIES TAILPIECE TRAP SEAL PRIMER WITH BRAIDED CONNECTING HOSE



Note: Both 1 1/2" and 1 1/4" slip joint nuts are provided.

MODEL NUMBER	DESCRIPTION	LIST PRICE
MI-750	Tailpiece Trap Seal Primer	\$ 301.00

Design and dimensions are subject to modification. Prices do not include applicable taxes. Visit www.mifab.com for the most recent product information.

MIFAB, Inc., 1321 West 119th Street, Chicago, Illinois 60643-5109, USA

Toll Free 1-800-465-2736, Fax 773-341-3049

All sales subject to MIFAB's Terms and Warranties. Please refer to inside front cover.