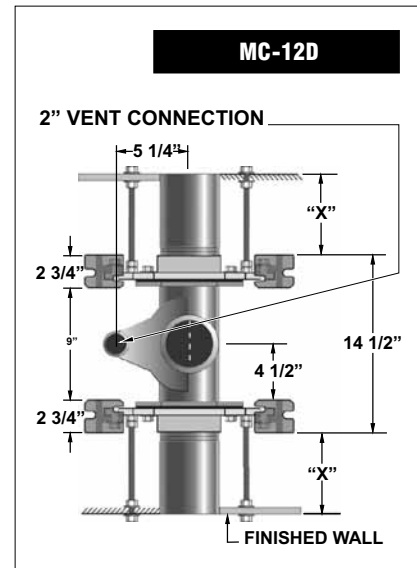
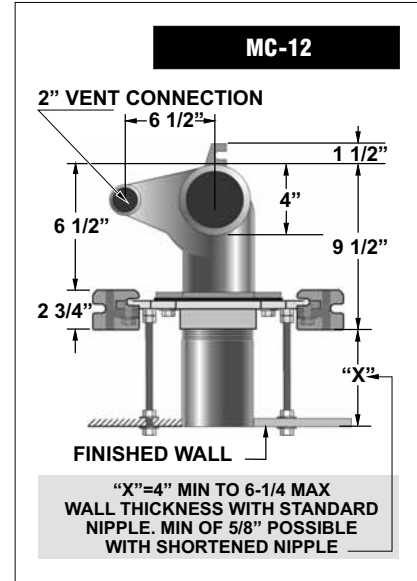
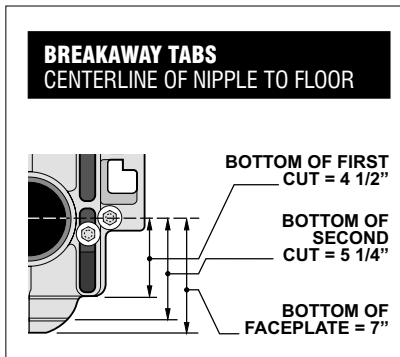
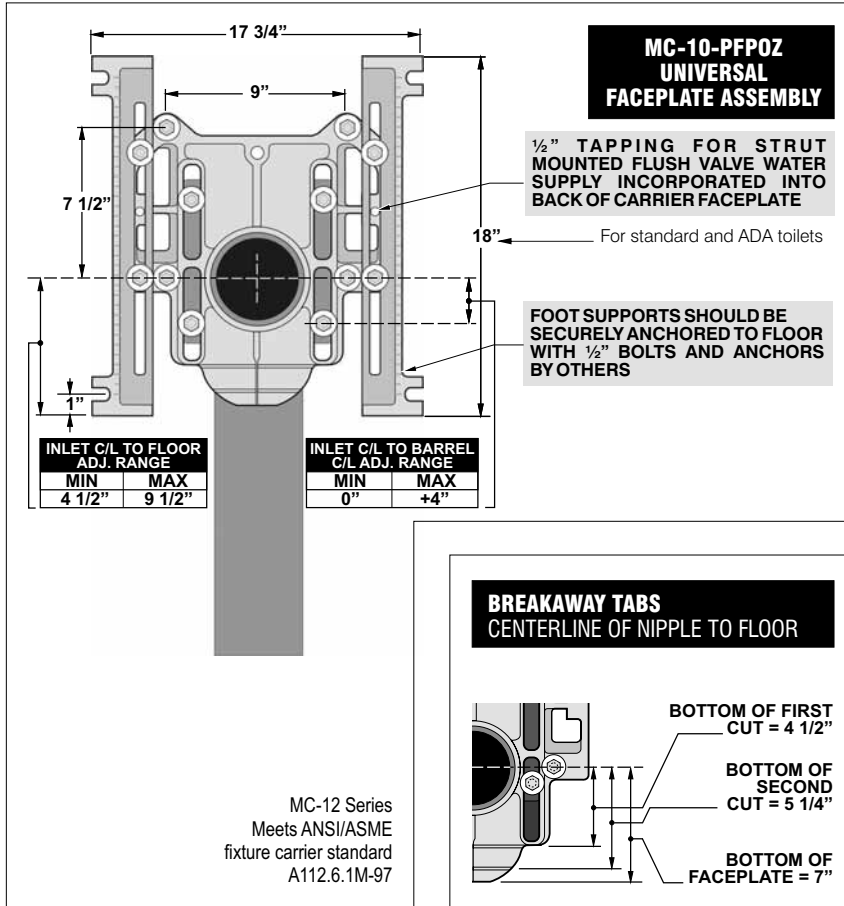


## MC-12 SERIES VERTICAL ADJUSTABLE WATER CLOSET CARRIER

**MC-12**  
SERIES



**CARRIERS**

**Note:** 8" tapered thread ABS nipple shipped standard with MC-10 Series carriers. The universal faceplate assembly accepts all nipple variations, rolling thread (-OR), cast iron (-CI) and tapered thread ABS with adjustable horn (-AH).

MC-12 SERIES			
MODEL NO.	DESCRIPTION	WEIGHT (Lbs.)	LIST PRICE
MC-12	Single left hand	75.00	\$ 879.00
MC-12D	Double - back to back	125.00	\$1555.00
Add for:	-HS Hub and spigot connection		\$ 65.00

\*NOTE: MC-14 fixed vertical or MC-15 vertical offset recommended for most applications

MC-12 OPTIONAL VARIATIONS:							
SUFFIX	DESCRIPTION	LIST PRICE	LIST PRICE	SUFFIX	DESCRIPTION	LIST PRICE	LIST PRICE
		SINGLE	DOUBLE			SINGLE	DOUBLE
-01	Neoprene bowl gasket	\$ 31.00	\$ 62.00	-CI-24	24" rolling thread cast iron nipple	\$ 152.00	\$ 304.00
-1	Finishing / Tiling frame	\$ 40.00	\$ 80.00	-HD	500 lb rated heavy duty	\$ 30.00	\$ 60.00
-3	Rear anchor support	No Add	N/A	-HDX	1,000 lb. rated extra heavy duty	\$1319.00	\$2972.00
-12	12" tapered thread ABS nipple*	No Add	No Add	-PF	Prefabricated carriers	No Add	No Add
-OR8	8" rolling thread ABS nipple	No Add	No Add	-10	Auxiliary support, recommended with nipple lengths over 12"	\$ 421.00	\$ 842.00
-OR12	12" rolling thread ABS nipple*	No Add	No Add	-13	All galvanized (Min. order 25 pcs. or P.O.A.)	\$ 713.00	\$1193.00
-AH8	8" ABS nipple with adjustable horn	No Add	No Add	-14	Vandal proof finished trim	\$ 66.00	\$ 132.00
-AH12	12" ABS nipple with adjustable horn*	No Add	No Add	-17	Test plug for custom cast iron nipples	\$ 30.00	\$ 60.00
-CI-4	4" rolling thread cast iron nipple	No Add	No Add	-19	Nipple wrench	\$ 52.00	\$ 52.00
-CI-6	6" rolling thread cast iron nipple	No Add	No Add	-20	Flush valve support	\$ 43.00	\$ 86.00
-CI-8	8" rolling thread cast iron nipple	No Add	No Add	-22	Less fitting	\$ 491.00	\$ 779.00
-CI-12	12" rolling thread cast iron nipple*	\$ 49.00	\$ 98.00				

\* H-1167-KA-14 (Threaded rods for 12" nipples 5/8" x 14") 12.00 24.00

Design and dimensions are subject to modification. Prices do not include applicable taxes. Visit [www.mifab.com](http://www.mifab.com) for the most recent product information.

MIFAB, Inc., 1321 West 119th Street, Chicago, Illinois 60643-5109, USA

Toll Free 1-800-465-2736, Fax 773-341-3049

All sales subject to MIFAB's Terms and Warranties. Please refer to inside front cover.