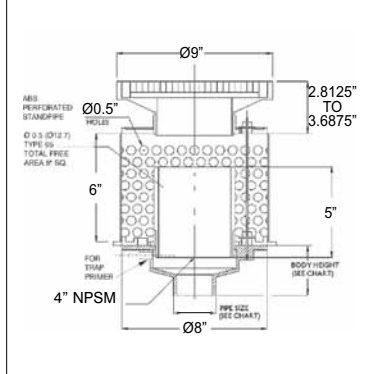
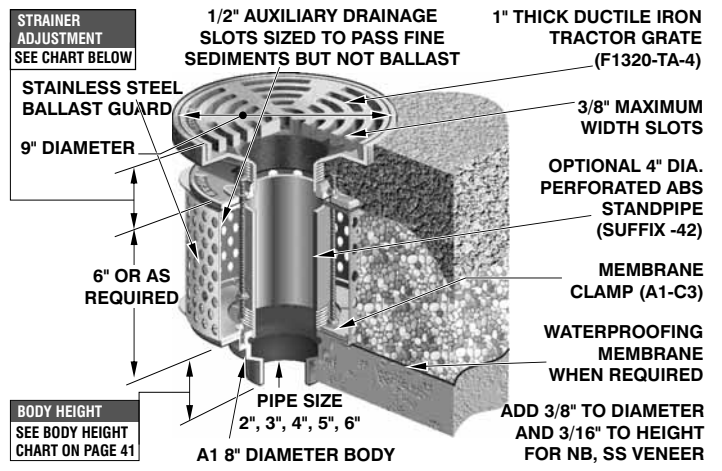


F1840 SERIES PLANTING AREA DRAIN W/9" ADJUSTABLE TRACTOR GRATE W/STAINLESS STEEL BALLAST GUARD F1840 SERIES



PARTS (*) Denotes strainer finish (-1, -3 or -4)

A1 BODY	A1-C3	W-31	A1-BG
	x 2		

F1840 PLANTING AREA DRAIN WITH 9" ADJUSTABLE TRACTOR GRATE WITH STAINLESS STEEL BALLAST GUARD

MODEL NUMBER	WT. Lbs	STANDPIPE DIAMETER	LACQUERED CAST IRON BODY WITH:		
			DUCTILE IRON (-4)	NICKEL BRONZE (-1)	STAINLESS STEEL (VENEER) (-3)
F1842,3,4,6	25.00	4"	\$2043.00	\$2308.00	\$2308.00

STRAINER ADJUSTMENT			ANSI/ASME RATING		
STRAINER	MIN	MAX	STRAINER	FREE AREA	LOAD RATING
9" DIA.	1 3/4"	2 5/8"	F1320-TA-4	18.0 IN ²	OVER 10,000 lbs

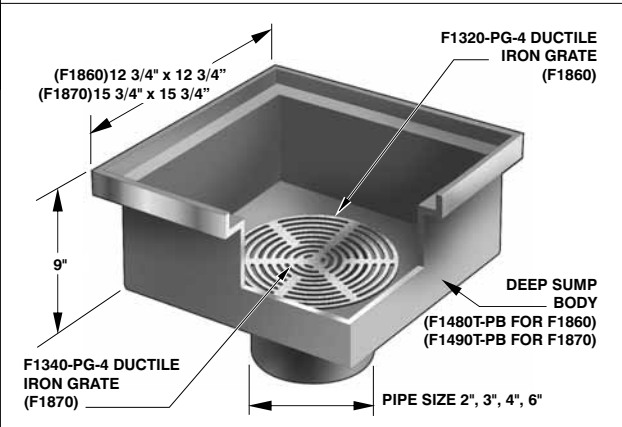
F1840 OPTIONAL VARIATIONS:

SUFFIX	DESCRIPTION	LIST PRICE
-42	Perforated standpipe(W-31-PERF)	No Add
-AR	Ballast guard other than 6"	P.O.A.

FLOOR DRAINS

F1860 F1870 SERIES

12" and 16" SQUARE OPEN HOPPER DRAIN W/LOOSE SET BOTTOM GRATE



F1860 PARTS (*) Denotes strainer finish (-1, -3 or -4)

A3-PG	A1 BODY	F1480T-PB BODY	F1320-PG-4(*)

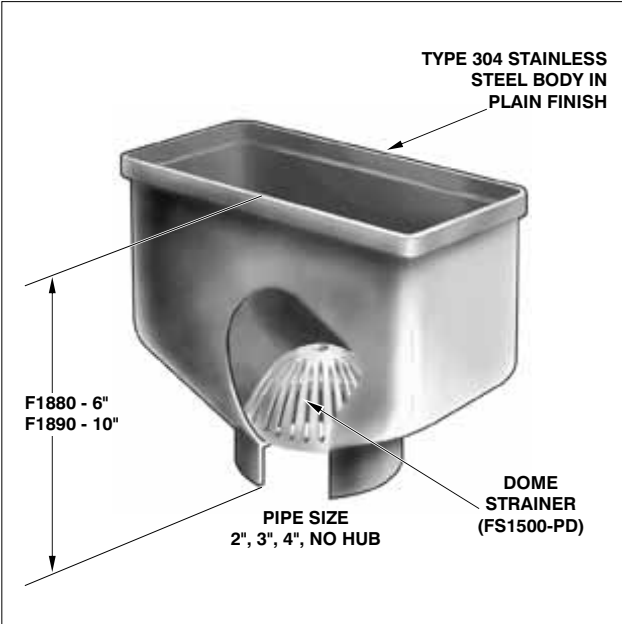
F1860 12"/F1870 16" SQUARE OPEN HOPPER DRAIN WITH LOOSE SET BOTTOM GRATE

MODEL NUMBER	WT. Lbs	LACQUERED CAST IRON BODY WITH:		
		DUCTILE IRON (-4)	STAINLESS STEEL (VENEER) (-3)	NICKEL BRONZE (-1)
F1862,3,4	25.00	\$412.00	\$805.00	\$805.00
F1873,4,6	30.00	\$829.00	\$1628.00	\$1628.00

F1860 and F1870 OPTIONAL VARIATIONS:

SUFFIX	DESCRIPTION	F1860	F1870
-5	Sediment bucket (FS1700-PB)	\$123.00	\$302.00
-11	Acid resistant epoxy finish (Min. order 25 pcs. or P.O.A.)	\$391.00	\$553.00
-13	All galvanized (Min. order 25 pcs. or P.O.A.)	\$293.00	\$497.00
-16-4	DI floor level square grate (F1440-PG-4)	\$ 99.00	\$290.00
-16-1	NB floor level square grate (F1440-PG-1)	\$301.00	\$909.00
-16-3	SS floor level square grate (F1440-PG-3)	\$301.00	\$909.00
-21	Secondary flat strainer (FD-9600 Series)	\$ 31.00	\$ 31.00
-FL	Anchor flange	P.O.A.	P.O.A.
-FLC	Anchor flange & membrane clamp	P.O.A.	P.O.A.

F1880 / F1890 4" x 8" AND F1890 6" x 12" OPEN SIGHT DRIP DRAINS



F1880 4" x 8" & F1890 6" x 12" OPEN SIGHT DRAINS

MODEL NUMBER	WT. Lbs	DESCRIPTION	STAINLESS STEEL (-3)
F1882,3,4,6	13.00	4" x 8"	P.O.A.
F1892,3,4,6	30.00	6" x 12"	P.O.A.

F1880, F1890 OPTIONAL VARIATIONS:

SUFFIX	DESCRIPTION	F1880	F1890
-21	Secondary flat strainer (FD-9600 Series)	P.O.A.	P.O.A.
-34	Closure plug (C1440 Series)	\$187.00	\$187.00
-34B	Bronze closure plug	P.O.A.	P.O.A.
-FL	Anchor flange	P.O.A.	P.O.A.
-FLC	Anchor flange & membrane clamp	P.O.A.	P.O.A.
T	Threaded connection (2", 3" 4")	\$ 40.00	\$ 40.00
X	Inside caulk outlet (2", 3" 4")	No Add	No Add

Design and dimensions are subject to modification. Prices do not include applicable taxes. Visit www.mifab.com for the most recent product information.