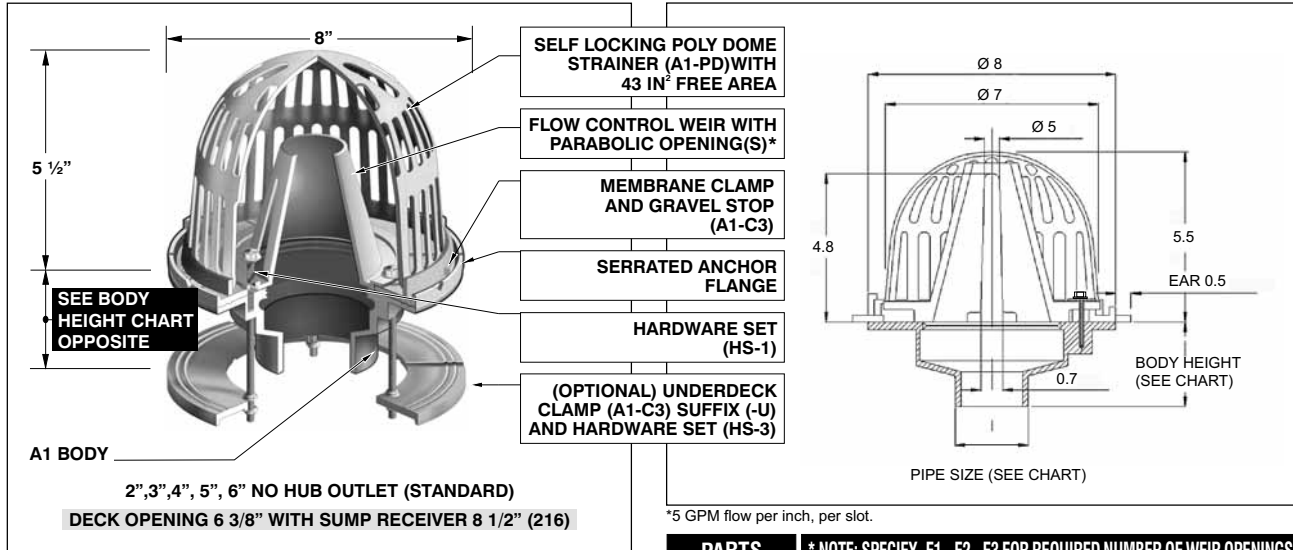


R1100-F SERIES ROOF DRAIN WITH PARABOLIC FLOW CONTROL WEIR

R1100-F
SERIES



LACQUERED CAST IRON BODY WITH:

MODEL NO.	WT Lbs.	OUTLET SIZE	POLY DOME (STANDARD)	METAL DOME (-M)
R1102, 3, 4-F	9.75	2", 3", 4"	\$ 494.00	\$ 494.00

PARTS * NOTE: SPECIFY -F1, -F2, -F3 FOR REQUIRED NUMBER OF WEIR OPENINGS

A1 BODY	A1-PD	HS-1	A1-C3	A1-F* WEIR

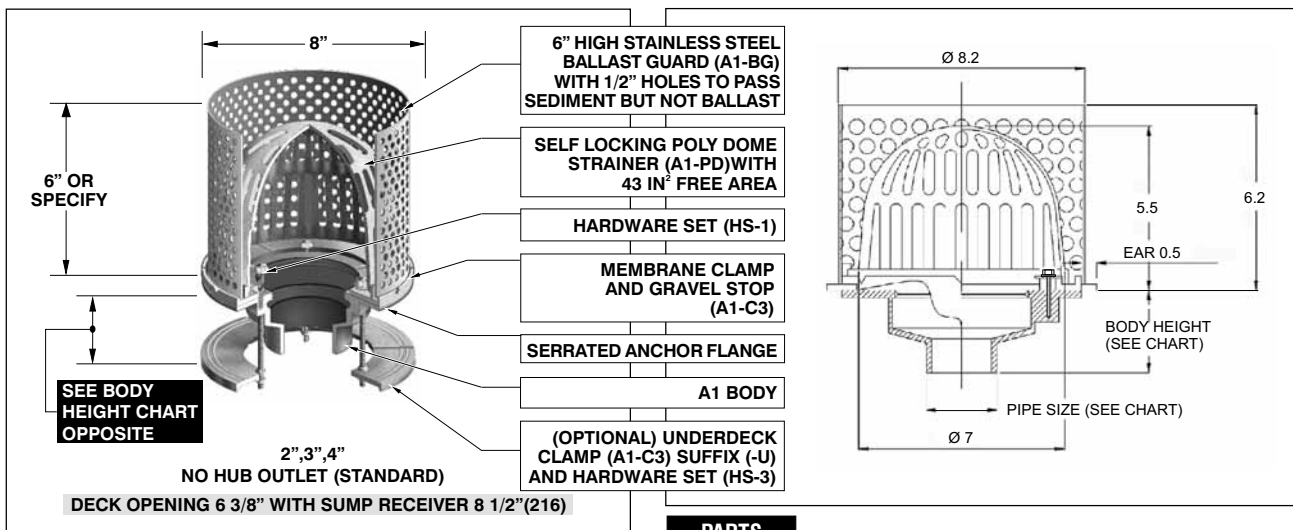
R1100, R1100-EU, R1100-F AND R1100-G SERIES OPTIONAL VARIATIONS CONTINUED FROM PAGE 74.

SUFFIX	DESCRIPTION	LIST PRICE	SUFFIX	DESCRIPTION	LIST PRICE
-C	Secondary clamp (A1-C3)	\$ 77.00	-U	Underdeck clamp (A1-C3)	\$ 77.00
-E	Adjustable extension	\$ 176.00	-W	Adjustable water dam (W-31)	\$ 99.00
-EG	Galvanized adjustable extension	\$ 352.00	-W-1	Waterproofing flange (A1-W-1)	\$ 152.00
-F1, -F2, -F3	Accuflow (parabolic weir) (A1-F1, A1-F2, or A1-F3)	\$ 221.00	-Z	Extended wide flange (13" Dia. x 1/8" thick)	P.O.A.
-G	Ballast guard (A1-BG)	\$ 239.00	X	Inside caulk outlet (2", 3", 4")	No Add
-JC	Ballast guard with secondary clamp	\$ 316.00	5	5" No hub outlet	\$ 284.00
-M	Metal dome (A1-MD)	No Add	5T	5" threaded outlet	\$ 284.00
-P	Push on outlet (2", 3", 4")	No Add	5X	5" Inside caulk outlet	\$ 284.00
-R	2" External water dam (A1-WD)	\$ 99.00	6	6" No hub outlet	\$ 284.00
T	Threaded outlet (2", 3", 4")	\$ 40.00	6P	6" Push on outlet*	\$ 284.00

* Specify POG-6 for 6" C.I. pipe and POG-6-PVC for 6" PVC pipe. 2", 3", 4" sizes use same gasket.

R1100-G SERIES ROOF DRAIN WITH BALLAST GUARD FOR I.R.M.A. ROOFS

R1100-G
SERIES



LACQUERED CAST IRON BODY WITH:

MODEL NO.	WT Lbs.	OUTLET SIZE	POLY DOME (STANDARD)	METAL DOME (-M)
R1102, 3, 4-G	8.00	2", 3", 4"	\$ 512.00	\$ 512.00

PARTS

A1 BODY	A1-PD	HS-1	A1-C3	A1-BG

Design and dimensions are subject to modification. Prices do not include applicable taxes. Visit www.mifab.com for the most recent product information.

MIFAB, Inc., 1321 West 119th Street, Chicago, Illinois 60643-5109, USA

Toll Free 1-800-465-2736, Fax 773-341-3049

All sales subject to MIFAB's Terms and Warranties. Please refer to inside front cover.

ROOF DRAINS