

**SD7000**

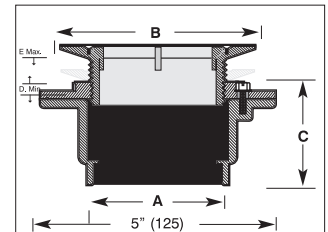
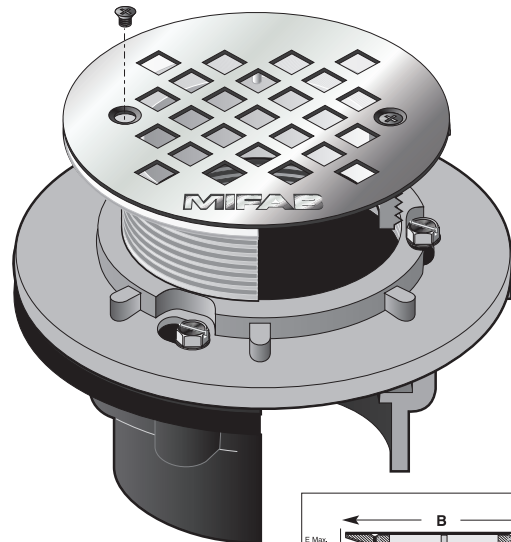
**SHOWER DRAIN**

Shower drain with ABS, or lacquered cast iron body, membrane clamp, adjustable strainer with stainless steel grate. Recommended for molded shower stalls where the drain body is placed on the pipe before the shower unit is installed.

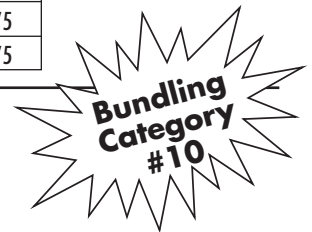
All models . . . . . \$ 13.20

Options:

-6 Vandal proof . . . . . \$4.00



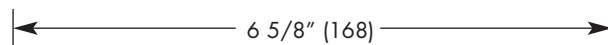
MODEL NO.	PRODUCT DESCRIPTION	A	B	C	D	E	WEIGHT LBS.
		IN	IN	IN	IN	IN	
SD7001	1 1/2" (38) ABS w/S.S. Grate	1 7/8" (48)	4" (100)	2 1/2" (64)	3/4" (19)	1 1/2" (38)	.75
SD7002	2" (50) ABS w/S.S. Grate	2 3/8" (60)	4" (100)	2 1/2" (64)	3/4" (19)	1 1/2" (38)	.75
SD7101	1 1/2" (38) C.I. w/S.S. Grate	1 1/2" (38) IPS	4" (100)	2 1/2" (64)	3/4" (19)	1 1/2" (38)	1.75
SD7102	2" (50) C.I. w/S.S. Grate	2" (51) IPS	4" (100)	2 1/2" (64)	3/4" (19)	1 1/2" (38)	1.75



**FD210C**

**HEAVY DUTY SHOWER FLOOR DRAIN**

Heavy duty shower drain with lacquered cast iron body, membrane clamp, and standard chrome plated strainer, or optional polished brass top.



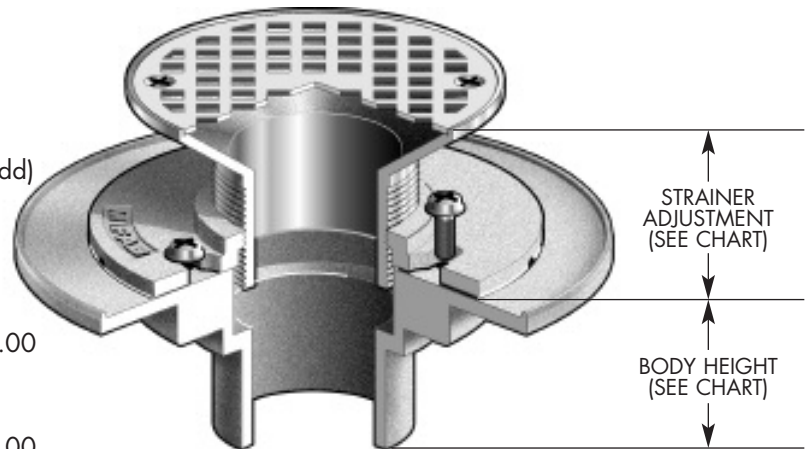
Options:

- Threaded outlet, 2" only
- Chrome Plated Strainer
- Polished Brass Strainer
- Nickel Bronze Stainer

- Suffix
- T (No Add)
  - 49
  - 2
  - 1

All models with chrome plated strainer . . . \$40.00

All models with nickel bronze or polished brass strainer . . . . . \$60.00



MODEL NO.	STRAINER DIAMETER	STRAINER ADJUSTMENT		ANSI/ASME RATING		PIPE SIZE	BODY HEIGHT		WEIGHT LBS.
		PIPE SIZE	MIN	MAX	FREE AREA		LOAD RATING	NO HUB	
FD212C	4 1/8" (105)	2" (50)	1 3/8" (35)	2 1/2" (63)	5.0 in <sup>2</sup>	UP TO	2 5/16" (59)	2 5/16" (59)	4.00
FD213C	4 1/8" (105)	3" (75)	1 1/4" (32)	2 1/4" (57)	(3226 <sup>2</sup> )	2,000 LBS.	3" (75)	—	4.00
FD214C	4 1/8" (105)	4" (100)	1 1/8" (29)	2 1/4" (57)			4" (100)	—	4.00

All sales subject to MIFAB's terms and warranties. Please refer to inside front cover.

**SHOWER DRAINS**