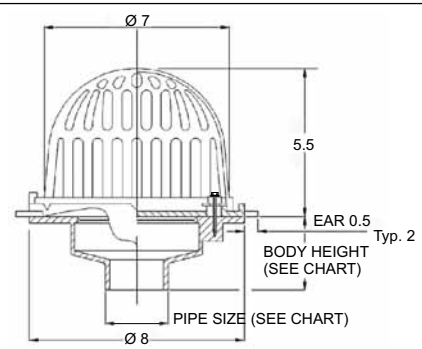
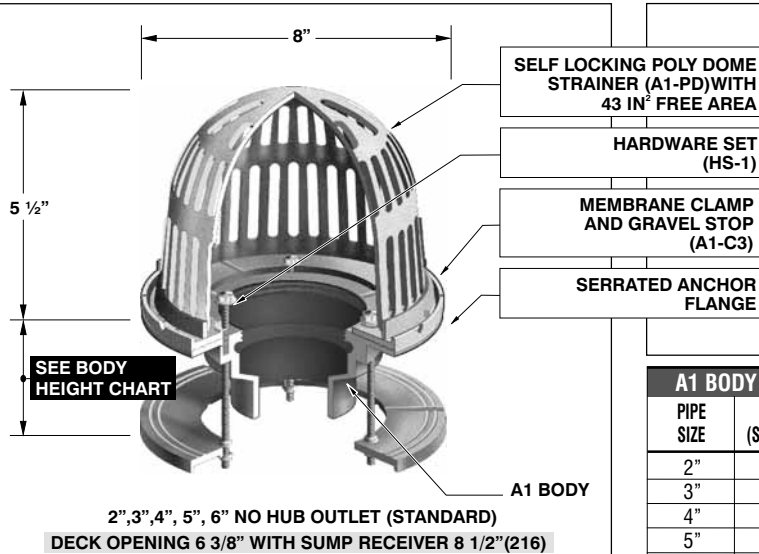


R1100 SERIES STANDARD ROOF DRAIN

R1100 SERIES



A1 BODY HEIGHT					
PIPE SIZE	NO HUB (STANDARD)	PUSH ON (P)	THREADED (T)	INSIDE CAULK (X)	PVC (-30) ABS (-31)
2"	3"	3 3/8"	2 1/4"	3 3/4"	2 15/16"
3"	3"	3 3/8"	2 5/8"	3 3/4"	3"
4"	3"	3 3/8"	2 5/8"	3 3/4"	3"
5"	3"	- - -	2 5/8"	3 3/4"	- - -
6"	3 1/4"	6 1/2"	- - -	- - -	- - -

LACQUERED CAST IRON BODY WITH:				
MODEL NO.	WT Lbs.	OUTLET SIZE	POLY DOME (STANDARD)	METAL DOME (-M)
R1102, 3, 4	7.00	2", 3", 4"	\$273.00	\$273.00

PARTS	A1 BODY	A1-PD	HS-1	A1-C3

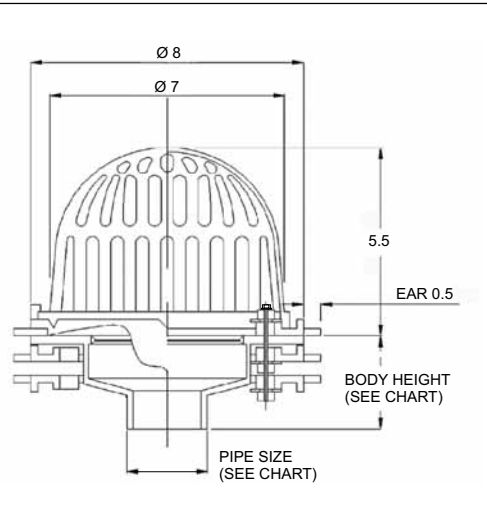
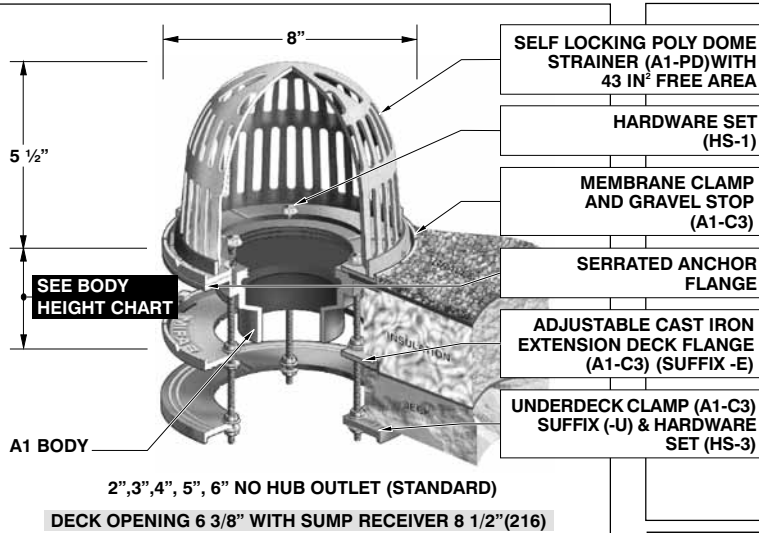
R1100, R1100-EU, R1100-F, and R1100-G SERIES OPTIONAL VARIATIONS:						CONTINUE
SUFFIX	DESCRIPTION	LIST PRICE	SUFFIX	DESCRIPTION	LIST PRICE	
-6	Vandal proof dome (Metal dome only)(H-1029)	\$ 58.00	-30	PVC socket connection body*(2", 3", 4")	No Add	
-11	Acid resistant epoxy(Excluding polydome (Min. order on 25 pcs. or P.O.A.))	\$ 399.00	-31	ABS socket connection body*(2", 3", 4")	No Add	
-12	Galvanized metal dome (Min. order 25 pcs. or P.O.A.)	\$ 74.00	-81	Rough bronze dome add (A1-MD-81)	\$ 170.00	
-12A	Galvanized body and membrane clamp (Min. order on 25 pcs. or P.O.A.)	\$ 102.00	-83	Stainless steel mesh screen over dome (A1-SSD)	\$ 162.00	
-13	Galvanized body, membrane clamp and dome (Min. order on 25 pcs. or P.O.A.)	\$ 176.00	-90	Threaded side outlet (2", 3", 4")	\$ 112.00	
-28	Stainless steel body (Type 304) (2", 3", 4")	P.O.A.	-B	Sump Receiver add (A1-BP)	\$ 132.00	

* PVC/ABS Socket bodies available for 2", 3", 4" connection sizes

NOTE: Contact MIFAB for underdeck clamp for A1-4X, and all 5" and 6" outlet A1 bodies. (Part # A1-C3-4PO)

R1100-EU SERIES ROOF DRAIN FOR INSULATED ROOF DECK

R1100-EU SERIES



LACQUERED CAST IRON BODY WITH:				
MODEL NO.	WT Lbs.	OUTLET SIZE	POLY DOME (STANDARD)	METAL DOME (-M)
R1102, 3, 4-EU	11.50	2", 3", 4"	\$ 526.00	\$ 526.00

PARTS	A1 BODY	A1-PD	A1-C3	HS-1	HS-3

Design and dimensions are subject to modification. Prices do not include applicable taxes. Visit www.mifab.com for the most recent product information.

MIFAB, Inc., 1321 West 119th Street, Chicago, Illinois 60643-5109, USA

Toll Free 1-800-465-2736, Fax 773-341-3049

All sales subject to MIFAB's Terms and Warranties. Please refer to inside front cover.