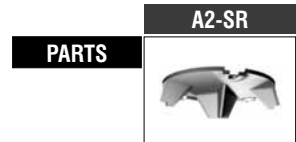
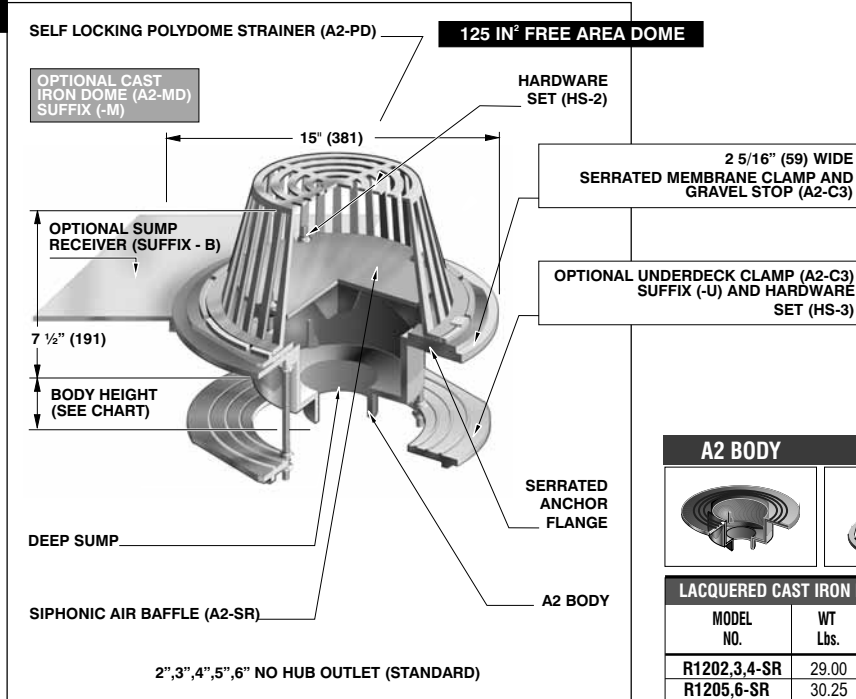


R1200-SR SERIES LARGE SUMP SIPHONIC ROOF DRAIN

R1200-SR SERIES



LACQUERED CAST IRON BODY WITH:				
MODEL NO.	WT Lbs.	OUTLET SIZE	POLY DOME (STANDARD)	CAST IRON DOME (-M)
R1202,3,4-SR	29.00	2", 3", 4"	P.O.A.	P.O.A.
R1205,6-SR	30.25	5", 6"	P.O.A.	P.O.A.

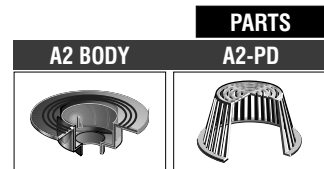
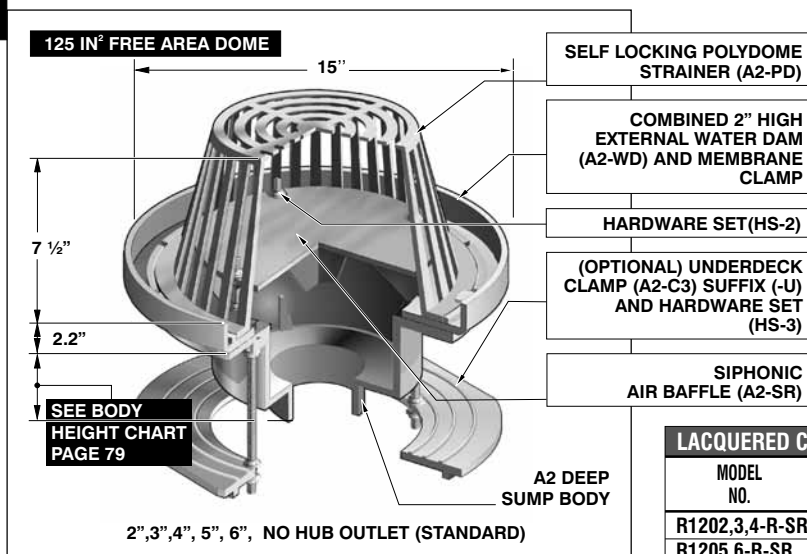
R1200-SR and R1200-R-SR SERIES OPTIONAL VARIATIONS:

SUFFIX	DESCRIPTION	LIST PRICE	SUFFIX	DESCRIPTION	LIST PRICE
-6	Vandal proof dome (Metal dome only) (H-1029)	\$ 64.00	-EG	Galvanized adjustable extension	\$ 548.00
-11	Acid resistant epoxy (Excluding polydome)	\$ 710.00	-G	Ballast guard (A2-BG)	\$ 405.00
-12	Galvanized metal dome (Min. order 25 pcs. or P.O.A.)	\$ 190.00	-HC	Adj. ballast guard with secondary clamp	\$ 529.00
-12A	Galvanized body and membrane clamp (Min. order 25 pcs. or P.O.A.)	\$ 441.00	-JC	Ballast guard with secondary clamp	\$ 529.00
-13	Galvanized body, membrane clamp and dome (Min. order 25 pcs. or P.O.A.)	\$ 628.00	M-80	Low aluminum dome (4 1/4" high) (A2-MDL-80)	\$ 127.00
-30	PVC socket connection body* (2", 3", 4")	No Add	-P	Push on outlet, (2", 3", 4", 6")*	No Add
-31	ABS socket connection body* (2", 3", 4")	No Add	T	Threaded outlet, (2", 3", 4", 6")	\$ 40.00
-81	Rough bronze dome (A2-MDL-81)	\$ 427.00	-U	Underdeck clamp (A2-C3)	\$ 124.00
-83	Stainless steel mesh screen over dome (A2-SSD)	\$ 259.00	-U3	Underdeck clamp with cut away side (A2-C3-C0)	\$ 124.00
-B	Sump receiver (A2-BP)	\$ 139.00	-W-1	Water proofing flange (A2-W-1)	\$ 228.00
-C	Secondary clamp (A2-C3)	\$ 124.00	X	Inside caulk outlet, (2", 3", 4", 6")	No Add
-E	Adjustable extension (See page 72, point #7)	\$ 363.00	-Z	Extended wide flange (20" dia. x 1/4 thick)	P.O.A.

* Specify POG-6 for C.I. pipe and POG-6-PVC for PVC pipe 2", 3", 4" sized use same gasket.

R1200-R-SR SERIES LARGE SUMP SIPHONIC ROOF DRAIN WITH EXTERNAL 2" HIGH WATER DAM

R1200-R-SR



LACQUERED CAST IRON BODY WITH:				
MODEL NO.	WT Lbs.	OUTLET SIZE	POLY DOME (STANDARD)	CAST IRON DOME (-M)
R1202,3,4-R-SR	31.00	2", 3", 4"	P.O.A.	P.O.A.
R1205,6-R-SR	32.25	5", 6"	P.O.A.	P.O.A.

ROOF DRAINS

Design and dimensions are subject to modification. Prices do not include applicable taxes. Visit www.mifab.com for the most recent product information.

MIFAB, Inc., 1321 West 119th Street, Chicago, Illinois 60643-5109, USA

Toll Free 1-800-465-2736, Fax 773-341-3049