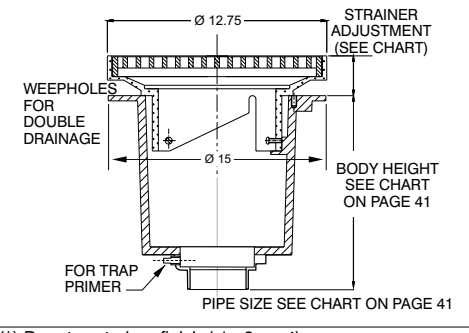
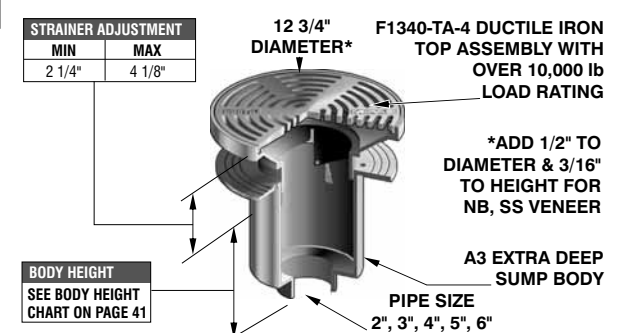


F1350 SERIES AREA DRAIN WITH 12" ROUND ADJ. HEAVY DUTY TRACTOR GRATE & EXTRA DEEP SUMP F1350 SERIES



AREA DRAIN WITH 12" ROUND ADJUSTABLE HEAVY DUTY TRACTOR GRATE & EXTRA DEEP SUMP

MODEL NUMBER	WT. Lbs	STRAINER DESCRIPTION	LIST PRICE LACQUERED CAST IRON BODY WITH:		
			DUCTILE IRON (-4)	NICKEL BRONZE (-1)	STAINLESS STEEL (-3)
F1352,3,4,6	50.00	12" Dia. Adj. tractor grate	\$920.00	\$1322.00	\$1322.00

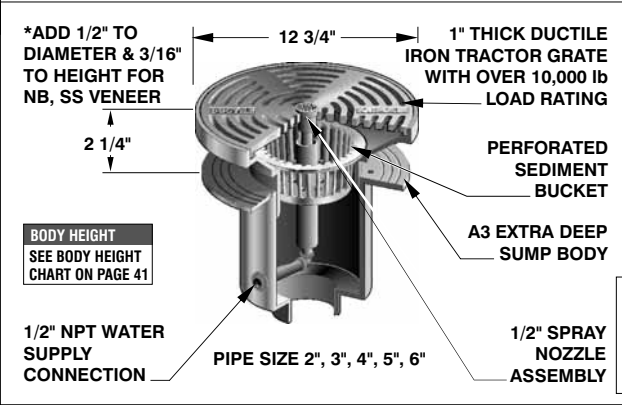
-14 No deduct for adjustable flat grate. -Y No deduct for non adjustable tractor grate. WHEN A MEMBRANE CLAMP IS REQUIRED, ADD SUFFIX (-C), NO ADD.

F1350, F1360 AND F1360-TFB SERIES OPTIONAL VARIATIONS: CONTINUE

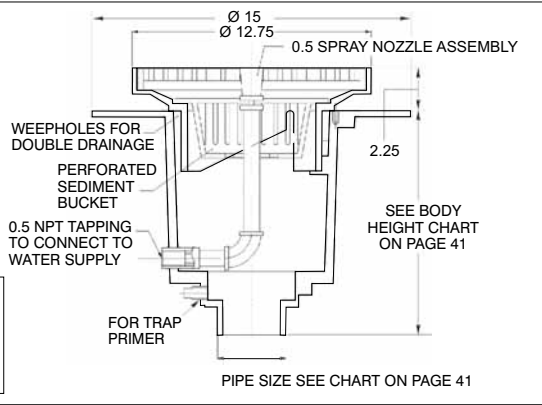
SUFFIX	DESCRIPTION	F1350	F1360	F1360-TFB
-5	Sediment bucket	No Add	\$ 124.00	Standard
-6	Vandal proof secured grate (TR30 Torx and pin)	\$ 76.00	\$ 76.00	\$ 76.00
-7	Trap seal primer tapping	\$ 77.00	\$ 77.00	\$ 77.00
-8	Backwater valve (BV1250 Series)(2", 3", 4")	\$ 195.00	\$ 195.00	\$ 195.00
-11	Acid resistant epoxy coating (Min. order 25 pcs. or P.O.A)	\$ 625.00	\$ 541.00	\$ 626.00
-12	Galvanized top assembly (Min. order 25 pcs. or P.O.A)	\$ 168.00	\$ 274.00	\$ 314.00
-13	All galvanized (Min. order 25 pcs. or P.O.A)	\$ 625.00	\$ 541.00	\$ 626.00
-15	Extension, Per 2"	\$ 124.00	\$ 124.00	\$ 124.00
-16	Square top	See F1450 series	See F1460 series	N/A
-17	with trap and cleanout (MI-OS Series)	See MI-OS	See MI-OS	See MI-OS
-18	with trap and oil cone and cleanout (MI-OS Series)	See MI-OS	See MI-OS	See MI-OS
-20	Secondary dome strainer (FS1500-PD)	\$ 76.00	\$ 76.00	\$ 76.00
-21	Secondary flat strainer (FD-9600 Series)	\$ 31.00	\$ 31.00	\$ 31.00
-24	Solid secured cover	P.O.A.	P.O.A.	N/A
-28	Stainless Steel Body (Type 304) (2", 3", 4")	P.O.A.	P.O.A.	P.O.A.
-30	PVC Socket Connection Body* (2", 3", 4")	No Add	No Add	No Add
-31	ABS Socket Connection Body* (2", 3", 4")	No Add	No Add	No Add

*PVC/ABS Socket bodies available for 2", 3", 4" connection sizes

F1350-Y-36 SERIES GARBAGE CAN WASH DRAIN W/12" ROUND HEAVY DUTY TRACTOR GRATE & EXTRA DEEP SUMP F1350-Y-36 SERIES



Typically installed with MIFAB's F1670 water supply control box. See page 48



F1350-Y-36 GARBAGE CAN WASH DRAIN WITH 12" ROUND HEAVY DUTY TRACTOR GRATE AND EXTRA DEEP SUMP

MODEL NUMBER	WT. Lbs	STRAINER DESCRIPTION	LIST PRICE LACQUERED CAST IRON BODY WITH:		
			DUCTILE IRON (-4)	NICKEL BRONZE (-1)	STAINLESS STEEL (-3)
F1352,3,4,6-Y-36	55.00	12" Dia. Adj. tractor grate	\$1456.00	\$1867.00	\$1867.00

WHEN A MEMBRANE CLAMP IS REQUIRED, ADD SUFFIX (-C), NO ADD.

F1350-Y-36 SERIES OPTIONAL VARIATIONS:

SUFFIX	DESCRIPTION	LIST PRICE	SUFFIX	DESCRIPTION	LIST PRICE
-13	All galvanized	\$470.00	T	Threaded outlet	\$ 40.00
P	Push on outlet	No Add	X	Inside caulk	No Add
			-11	Acid resistant epoxy coating	\$470.00

Design and dimensions are subject to modification. Prices do not include applicable taxes. Visit www.mifab.com for the most recent product information.

MIFAB, Inc., 1321 West 119th Street, Chicago, Illinois 60643-5109, USA Toll Free 1-800-465-2736, Fax 773-341-3049

All sales subject to MIFAB's Terms and Warranties. Please refer to inside front cover.

AREA DRAINS