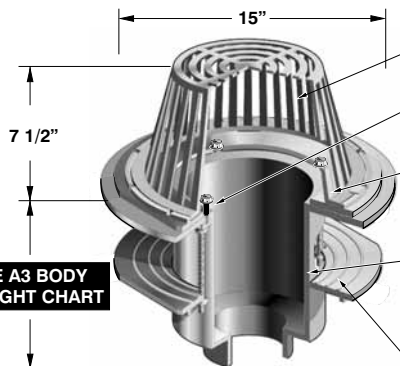


## R1250 SERIES

### EXTRA DEEP SUMP ROOF DRAIN

## R1250 SERIES

125 In<sup>2</sup> FREE AREA DOME



SEE A3 BODY HEIGHT CHART

2", 3", 4", 5", 6" NO HUB OUTLET (STANDARD) (SEE A3 BODY NOTE ON PAGE 41)

OPTIONAL CAST IRON DOME [A2-MD] SUFFIX (-M)

SELF LOCKING POLY DOME STRAINER (A2-PD)

HARDWARE SET (HS-1)

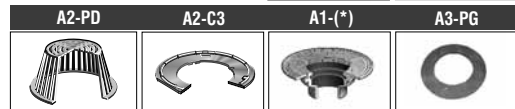
2 5/16" WIDE SERRATED MEMBRANE CLAMP AND GRAVEL STOP

A3 EXTRA DEEP SUMP BODY

OPTIONAL UNDERDECK CLAMP (A368-DC) SUFFIX (-U) AND HARDWARE SET (HS-3)

#### PARTS

(\*) Denotes outlet size (2, 3, 4 or 6)



A3 BODY HEIGHT					
PIPE SIZE	NO HUB (STANDARD)	PUSH ON (P)	THREADED "T"	INSIDE CAULK (X)	PVC / ABS (-30 / 31)
2"	12" 3/4"	12 3/4"	11 1/2"	12"	12 1/8"
3"	12" 3/4"	12 3/4"	11 7/8"	12"	12 3/8"
4"	12" 3/4"	12 3/4"	11 7/8"	12"	12 3/8"
5"	12"	-	11 7/8"	15 1/8"	-
6"	12"	15 7/8"	-	-	-

LACQUERED CAST IRON BODY WITH:				
MODEL NO.	WT Lbs.	OUTLET SIZE	POLY DOME (STANDARD)	CAST IRON DOME (-M)
R1252,3,4	35.00	2", 3", 4"	\$1154.00	\$ 1372.00
R1255,6	35.00	5", 6"	\$1322.00	\$ 1540.00

R1250 SERIES OPTIONAL VARIATIONS:			LIST PRICE	SUFFIX	DESCRIPTION	LIST PRICE
-6	Vandal proof dome (metal dome only) (H-1029)		\$ 64.00	-M-80	Low aluminum dome (4 1/4" high) (A2-MDL-80)	\$134.00
-11	Acid resistant epoxy (excluding polydome) (Min. order 25 pcs. or P.O.A)		\$862.00	-P	Push on outlet (2", 3", 4", 6")*	No Add
-12	Galvanized metal dome (Min. order 25 pcs. or P.O.A)		\$190.00	-R	2" external water dam (A2-WD)	\$119.00
-13	All galvanized (Min. order 25 pcs. or P.O.A)		\$656.00	T	Threaded outlet (2", 3", 4", 6")	\$ 40.00
-30	PVC Socket connection (2", 3", 4")		No Add	-U	Underdeck clamp (A 2-C3)	\$124.00
-31	ABS Socket connection (2", 3", 4")		No Add	-V	Fixed extension, 2"-4"	\$340.00
-81	Rough bronze dome (A2-MDL-81)		\$464.00	-VG	Galvanized fixed extension, (2", 3", 4")	\$522.00
-83	Stainless steel mesh screen over dome (A2-SSD)		\$259.00	-W	Adjustable water dam (5" high x 4" DIA.) (W-31)	\$456.00
-B	Sump Receiver (A2-BP)		\$139.00	-W-1	Water proofing flange (A 2-W-1)	\$228.00
-C	Secondary clamp (A2-C3)		\$124.00	-W2	2" internal water dam	\$217.00
-E	Adjustable extension		\$363.00	-W3	3" internal water dam	\$217.00
-EG	Galvanized extension		\$551.00	-W4	4" internal water dam	\$217.00
-G	Ballast guard (A2-BG)		\$405.00	-W6	Adjustable water dam, 6" DIA. (A 2-C3-W6)	\$494.00
-HC	Adjustable ballast guard with secondary clamp		\$529.00	X	Inside caulk connection (2", 3", 4", 6")	No Add
-JC	Ballast guard with secondary clamp		\$529.00	Z	Extended wide flange (20" dia. x 1/4" thick)	P.O.A.

\* Specify POG-6 for C.I. pipe and POG-6-PVC for PVC pipe 2", 3", 4" sizes use same gasket.

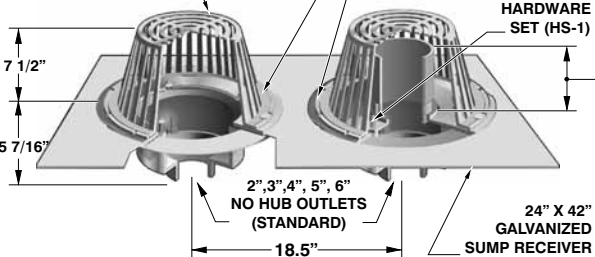
## R1270 SERIES

### COMBINED LARGE SUMP ROOF DRAIN AND SECONDARY OVERFLOW DRAIN

## R1270 SERIES

SELF LOCKING POLY DOME STRAINER (A2-PD) WITH 136 In<sup>2</sup> FREE AREA

7 1/2"  
5 7/16"



(R1270-BP) WITH TWO SETS OF HS-20 HARDWARE INCLUDED

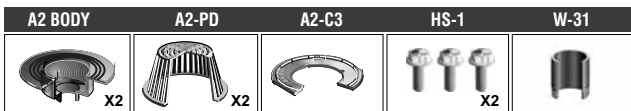
MEMBRANE CLAMP AND GRAVEL STOP (A2-C3)

MEMBRANE CLAMP, GRAVEL STOP & OVERFLOW RECEIVER (A2-C3-W)

HARDWARE SET (HS-1)

2", 3", 4", 5", 6" NO HUB OUTLETS (STANDARD)

24" X 42" GALVANIZED SUMP RECEIVER



STANDPIPE ADJUSTMENT	
MIN	MAX
2"	4 1/2"

#### PARTS



\* A2-C3-W is standard with a 4" standpipe opening. For 6" outlets, specify A2-C3-W6.

LACQUERED METAL DOMES BODY WITH:				
MODEL NO.	WT Lbs.	OUTLET SIZE	POLY DOMES (STANDARD)	CAST IRON DOME (-M)
R1272,3,4	38.00	2", 3", 4"	\$ 1284.00	\$ 1502.00
R1275,6	42.00	5", 6"	\$ 1596.00	\$ 1814.00
R1278	46.00	8"	\$ 1908.00	\$ 2126.00

R1270 SERIES OPTIONAL VARIATIONS:					
SUFFIX	DESCRIPTION	LIST PRICE	SUFFIX	DESCRIPTION	LIST PRICE
-6	Vandal proof domes (metal domes only) (H-1029)	\$ 127.00	-83	Stainless steel mesh screen over domes (A2-SSD)	\$ 519.00
-11	Acid resistant epoxy (excluding polydome)	\$1418.00	-G	Ballast guards (A2-BG)	\$ 809.00
-12	Galvanized metal domes (Min. order 25 pcs. or P.O.A)	\$ 380.00	-M-80	Low profile aluminum domes (A2-MDL-80)	\$ 251.00
-13	All galvanized (Min. order 25 pcs. or P.O.A)	\$ 883.00	NH	No hub outlets (2", 3", 4", 6", 8")	Standard
-28	Stainless Steel Bodies (Type 304)	P.O.A.	P	Push on outlets (2", 3", 4", 6")*	No Add
-30	PVC socket connection bodies* (2", 3", 4")	No Add	T	Threaded outlets (2", 3", 4", 6")	\$ 80.00
-31	ABS socket connection bodies* (2", 3", 4")	No Add	-U	Underdeck clamps	\$ 248.00
-81	Rough bronze domes (A2-MDL-81)	\$ 852.00	X	Inside caulk outlets (2", 3", 4", 6")	No Add

\* 2", 3", 4" outlet sizes only

\* Specify POG-6 for C.I. pipe and POG-6-PVC for PVC pipe 2", 3", 4" sizes use same gasket.

Design and dimensions are subject to modification. Prices do not include applicable taxes. Visit [www.mifab.com](http://www.mifab.com) for the most recent product information.

MIFAB, Inc., 1321 West 119th Street, Chicago, Illinois 60643-5109, USA

Toll Free 1-800-465-2736, Fax 773-341-3049

All sales subject to MIFAB's Terms and Warranties. Please refer to inside front cover.