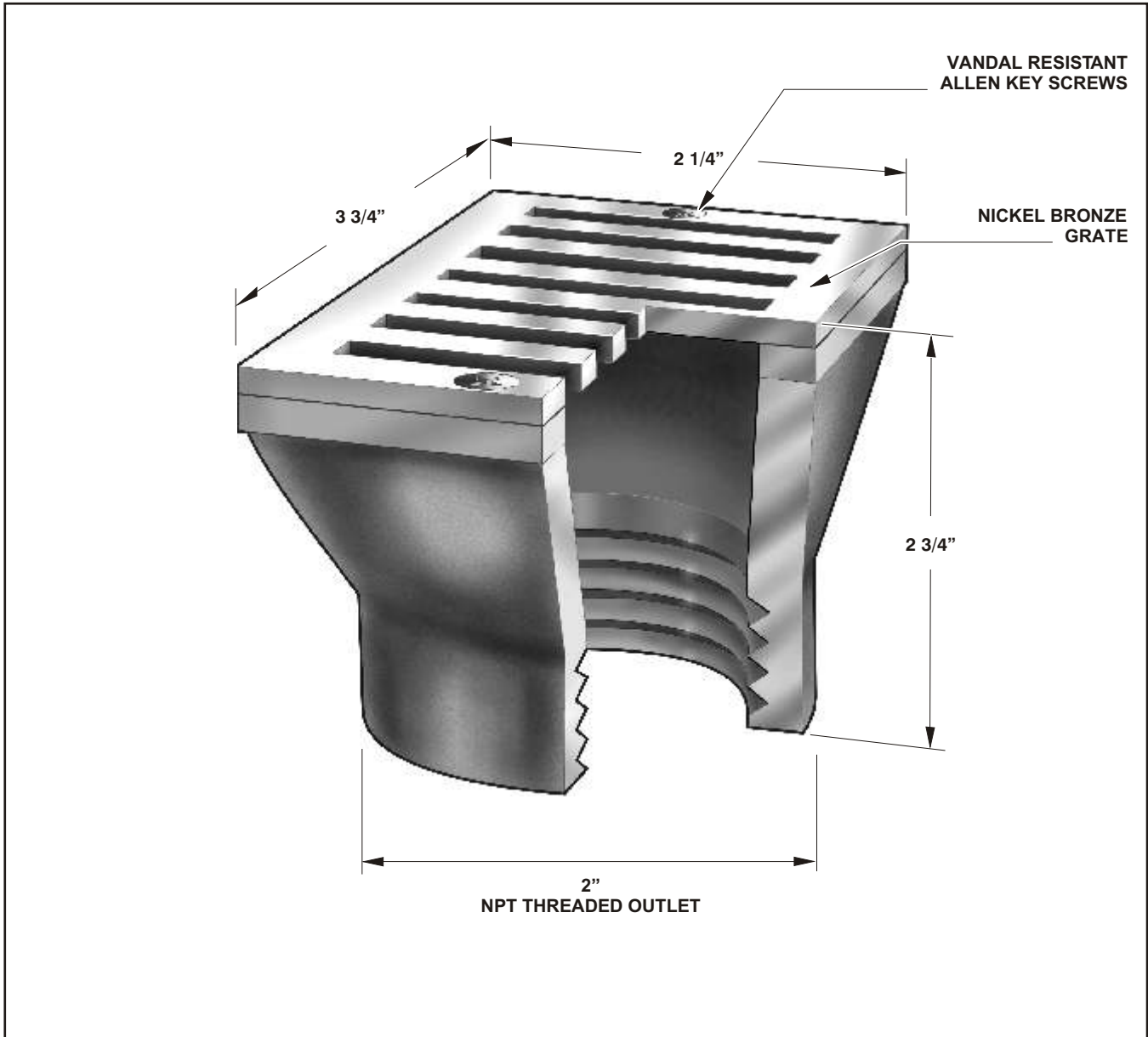


Specification: MIFAB® F1720 lacquered cast iron rectangular gutter drain with standard satin finished nickel bronze strainer and vandal resistant allen key screws.

Function: Used in non membrane floor areas that have space limitations for surface drainage.



STRAINER SIZE	ANSI / ASME RATING		PIPE SIZE
	FREE AREA	LOAD RATING N.B. (-1)	
3 3/4" x 2 1/4" (95 x 57)	3 in ²	UP TO 2,000 LBS	2" (51) NPT

OPTIONAL VARIATIONS:

- Security screws (T-20 torx and pin)
- All galvanized

SUFFIX

- 6
- 13

Job Name _____	Page No: _____
Section No: _____	Contractor _____
Schedule No: _____	Purchase Order No: _____

MIFAB reserves the right to make changes in material and design without formal notice and obligation.