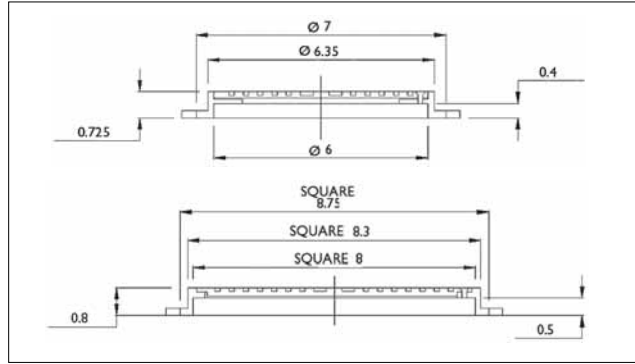
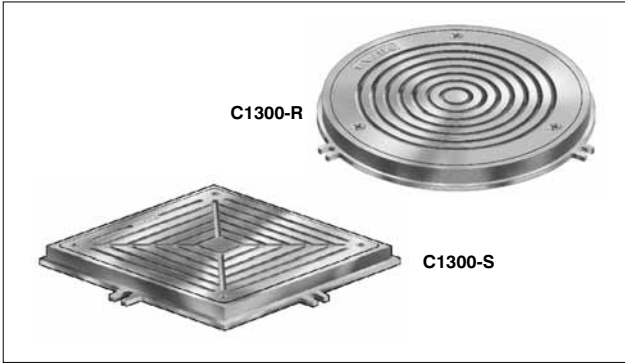


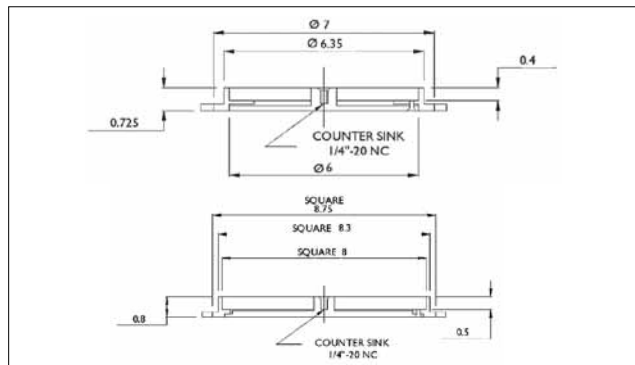
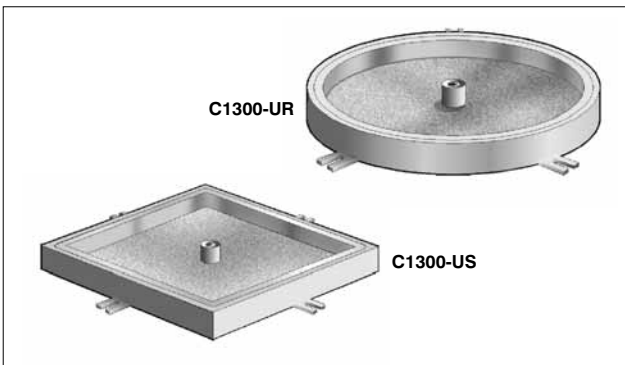
C1300 SERIES SCORIATED ACCESS COVERS



C1300 SCORIATED ACCESS COVERS				
MODEL NUMBER	WT. Lbs	DESCRIPTION	NICKEL BRONZE (-1)	DUCTILE IRON (-4)
C1300-R6	9.00	6" Round scoriated access cover	\$184.00	-
C1300-R9	10.00	9" Round scoriated access cover	\$315.00	-
C1300-S7	11.00	7" x 7" scoriated access cover	\$312.00	-
C1300-S9	12.00	9" x 9" scoriated access cover	\$494.00	\$243.00
C1300-S12	12.00	12" x 12" scoriated access cover	\$533.00	\$389.00

C1300 OPTIONAL VARIATIONS:		
SUFFIX	DESCRIPTION	LIST PRICE
-6	Security screws (TR25 Torx and pin)	\$ 36.00

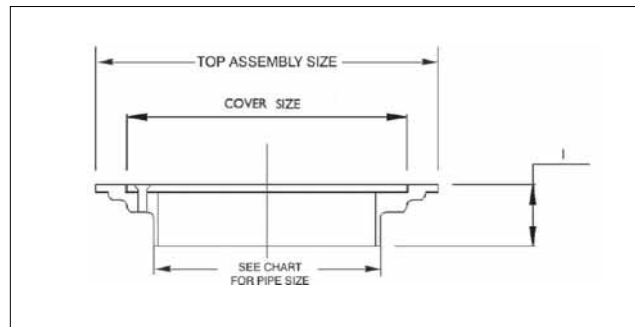
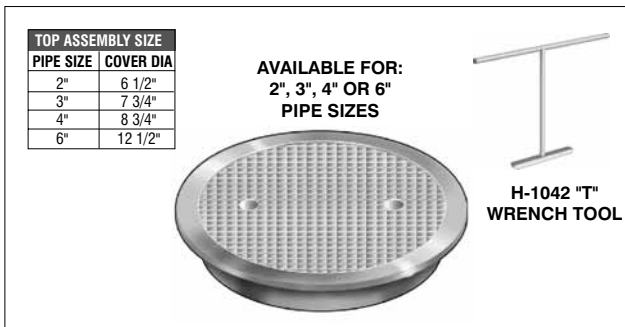
C1300-UR/US SERIES ACCESS COVER RECESSED FOR TERRAZZO



C1300-UR OR US ACCESS COVER RECESSED FOR TERRAZZO			
MODEL NUMBER	WT. Lbs	DESCRIPTION	NICKEL BRONZE (-1)
C1300-UR	9.00	9" Round terrazzo recessed access cover	\$564.00
C1300-US	11.00	8" x 8" terrazzo recessed access cover	\$564.00

C1300-UR & US OPTIONAL VARIATIONS:		
SUFFIX	DESCRIPTION	LIST PRICE
-6	Security screws (TR25 Torx and pin)	\$ 36.00

C1310 SERIES FLOOR ACCESS COVER



C1310 FLOOR ACCESS COVER				
MODEL NUMBER	WT. Lbs	DESCRIPTION	PIPE SIZE	NICKEL BRONZE (-1)
C1312	4.00	3 5/8" Diameter scoriated access cover	2"	\$233.00
C1313	4.00	5 1/8" Diameter scoriated access cover	3"	\$328.00
C1314	5.00	5 7/8" Diameter scoriated access cover	4"	\$370.00
C1316	8.00	8" Diameter scoriated access cover	6"	\$484.00

C1310 OPTIONAL VARIATIONS:		
SUFFIX	DESCRIPTION	LIST PRICE
H-1042	"T" Wrench tool	\$ 77.00

NOTE: If a cleanout is required, use MIFAB C1230 Series

Design and dimensions are subject to modification. Prices do not include applicable taxes. Visit www.mifab.com for the most recent product information.

MIFAB, Inc., 1321 West 119th Street, Chicago, Illinois 60643-5109, USA

Toll Free 1-800-465-2736, Fax 773-341-3049

All sales subject to MIFAB's Terms and Warranties. Please refer to inside front cover.