



CAD-FL

CEILING OR WALL ACCESS DOOR, FLUSH DOOR WITH FRAME

Internet address: www.mifab.com

Toll Free: 1-800-465-2736

Canada Toll Free: 1-800-387-3880



SERIES CAD-FL

CEILING OR WALL ACCESS DOOR, FLUSH DOOR WITH FRAME

DESCRIPTION

The MIFAB® CAD-FL access door is designed for flush installation in drywall or plaster surfaces. The door panel is flush with the frame. When installed flush with the wall or ceiling, only the door panel is exposed. A mounting bracket is recessed 5/8" (15) from the door. It has a unique white finish.

SPECIFICATIONS

Material CAD-FL Series is 14 gage satincoat steel door and 14 gage satincoat steel frame. The CAD-FL-SS stainless steel Series is 16 gage #304 stainless steel door and frame. Satincoat steel doors have a primed white finish. Stainless steel doors have a #4 brush satin finish.

Finish

Door

Frame

Hinge

Latch

Packaging

A-B Door Size

C-D Overall Dimensions - Door Size - Plus 2 1/4" (57)

E-F Wall Opening - Door Size - Plus 1/2" (12)

STANDARD SIZES (special sizes available upon request)

DOOR SIZE		WALL OPENING		SHIPPING WEIGHT		LAT-
Inches	mm	Inches	mm	lbs.	kg.	CHES
"B" x "A"	"B" x "A"	Inches	mm	lbs.	kg.	
8 x 8	203 x 203	8 1/2 x 8 1/2	216 x 216	4.0	1.8	1
8 x 12	203 x 305	8 1/2 x 12 1/2	216 x 317	5.0	2.2	1
10 x 10	254 x 254	10 1/2 x 10 1/2	267 x 267	5.5	2.5	1
12 x 12	305 x 305	12 1/2 x 12 1/2	317 x 317	6.0	2.7	1
12 x 16	305 x 406	12 1/2 x 16 1/2	317 x 419	7.0	3.1	1
12 x 18	305 x 457	12 1/2 x 18 1/2	317 x 470	8.0	3.6	1
12 x 24	305 x 610	12 1/2 x 24 1/2	317 x 622	11.4	5.1	1
14 x 14	356 x 356	14 1/2 x 14 1/2	368 x 368	7.8	3.5	1
16 x 16	406 x 406	16 1/2 x 16 1/2	419 x 419	9.6	4.3	1
16 x 20	406 x 508	16 1/2 x 20 1/2	419 x 521	11.4	5.1	1
18 x 18	457 x 457	18 1/2 x 18 1/2	470 x 470	11.4	5.1	1
18 x 24	457 x 610	18 1/2 x 24 1/2	470 x 622	15.0	6.8	1
20 x 24	508 x 610	20 1/2 x 24 1/2	521 x 622	17.0	7.7	1
20 x 30	508 x 762	20 1/2 x 30 1/2	521 x 775	19.0	8.6	2
24 x 24	610 x 610	24 1/2 x 24 1/2	622 x 622	18.3	8.3	1
24 x 30	610 x 762	24 1/2 x 30 1/2	622 x 772	20.0	9.0	2
24 x 36	610 x 914	24 1/2 x 36 1/2	622 x 927	24.5	11.1	2
30 x 30	762 x 762	30 1/2 x 30 1/2	775 x 775	24.5	11.1	4
36 x 36	914 x 914	36 1/2 x 36 1/2	927 x 927	28.0	12.7	4

OPTIONAL VARIATIONS:

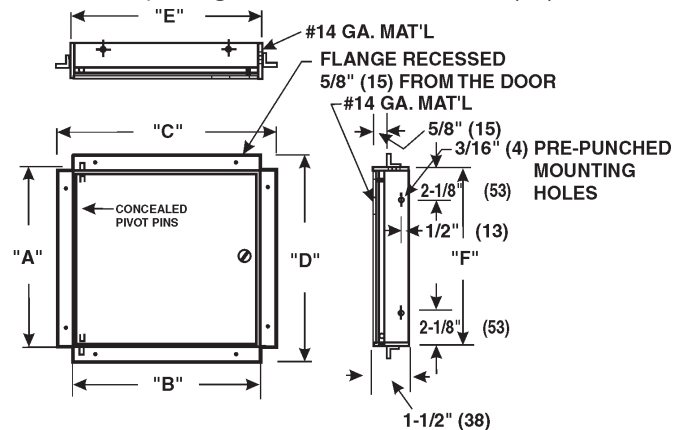
- Allen key lock
- Cylinder key lock

- suffix -A
- suffix -C

(Dimension) Denotes Millimetres

- Stainless steel
- Vandal resistant

- suffix -SS
- suffix -VP



NOTE: The hinge is always furnished on the "A" or height (longer) dimension, unless otherwise specified.