



MI-SF

SURFACE ACCESS DOOR

Internet address: www.mifab.com

Toll Free: 1-800-465-2736

Canada Toll Free: 1-800-387-3880



SERIES MI-SF

SURFACE ACCESS DOOR

DESCRIPTION

The MIFAB® MI-SF surface access door is designed for surface installation on drywall, masonry, or thin-coat plaster. The door is attached to the frame with a continuous piano hinge allowing 175 degree opening. It has a unique white finish.

SPECIFICATIONS

Material MI-SF Series is 16 gage steel door and frame. The MI-SF-SS stainless steel Series is 16 gage #304 stainless steel door and frame.

Finish Steel doors have a primed white finish. Stainless steel doors have a #4 brush satin finish.

Door Flush to frame. One 1/4" (6) hole in each corner. A 3/8" (9) wide outer perimeter space of the frame is bent on a fifteen degree angle toward the wall.

Hinge Continuous piano hinge. 175 degree opening.

Latch Standard - Flush mounted, screwdriver operated cam. Optional - Allen key, cylinder key, or vandal resistant latch. All of MIFAB's cylinder key locks are keyed alike.

Packaging One door per carton.

STANDARD SIZES (special sizes available upon request)

DOOR SIZE		SHIPPING WEIGHT		LATCHES
Inches	mm	lbs.	kg.	
"B" x "A"	"B" x "A"			
8 x 8	203 x 203	2.5	1.1	1
10 x 10	254 x 254	3.5	1.5	1
12 x 12	305 x 305	4.0	1.8	1
14 x 14	356 x 356	6.0	2.7	1
16 x 16	406 x 406	8.0	3.6	1
18 x 18	457 x 457	9.5	4.3	3
22 x 22	559 x 559	13.5	6.1	3
24 x 24	610 x 610	16.0	7.2	3

A-B Door Size

C-D Overall Dimensions - Door Size - Plus 3" (75)

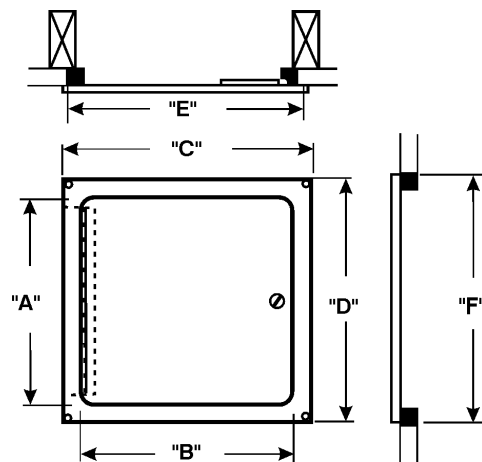
E-F Wall Opening - Door Size

OPTIONAL VARIATIONS:

- Allen key lock
- Cylinder key lock
- Stainless steel
- Vandal resistant

- suffix -A
- suffix -C
- suffix -SS
- suffix -VP

(Dimension) Denotes Millimetres



NOTE: The hinge is always furnished on the "A" or height (longer) dimension, unless otherwise specified.