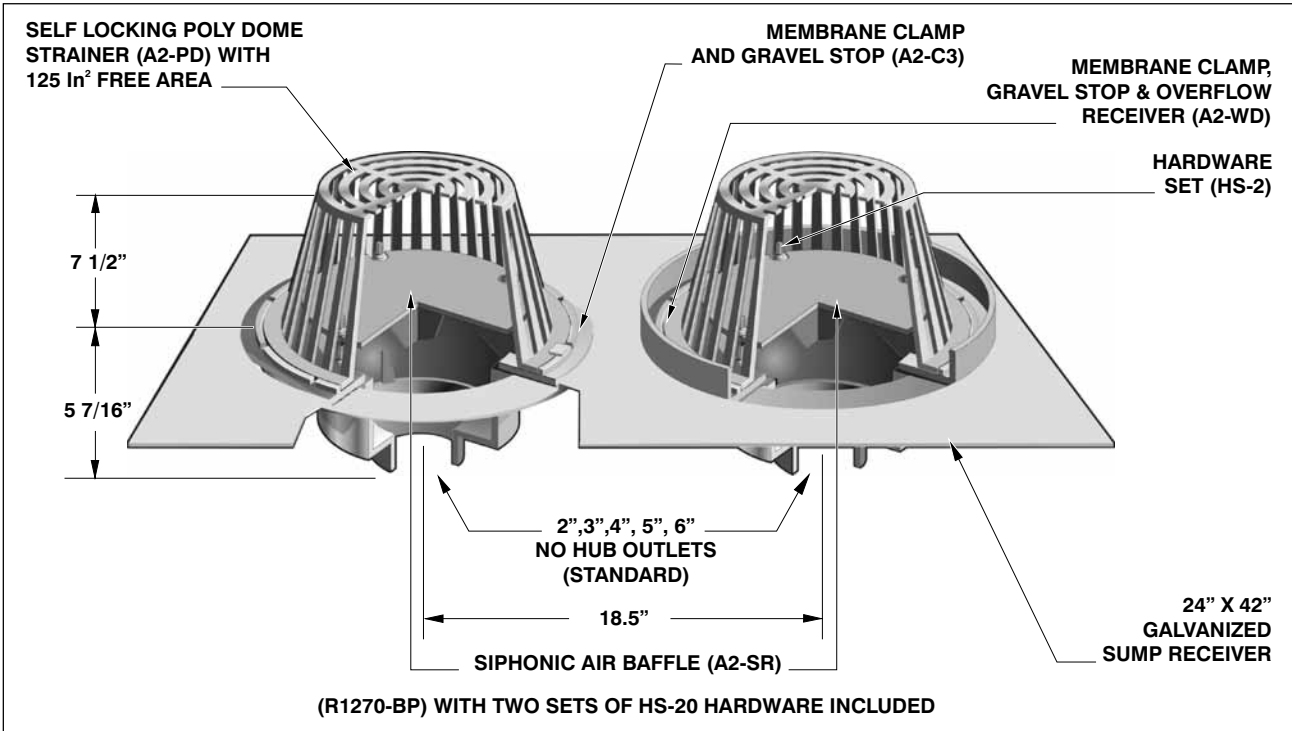


R1270-SR SERIES COMBINED LARGE SUMP SIPHONIC ROOF DRAIN AND SECONDARY OVERFLOW DRAIN R1270-SR SERIES



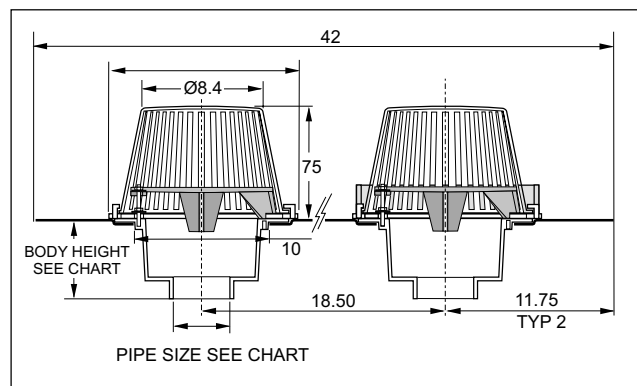
Siphonic drainage is a fully engineered solution and is recognized as a highly efficient means of removing roof rainwater from commercial and municipal buildings, large or small. Construction costs can be dramatically reduced, environmental impact lowered and architectural freedom enhanced.

Construction costs can be reduced because of the following:

- 1) Reduced pipe size and fewer outlets saves time and material costs
- 2) Excavation costs can be greatly reduced because siphonic roof drain piping must be installed level (not sloped). This allows the roof drain piping to be installed up within the ceiling area.
- 3) Reduced installation time because the non sloped pipe is easier to install and co-ordinate with other equipment / material in the ceiling area.

The owner can also obtain LEED points with the installation of siphonic roof drains due to the following:

- a) Reduced site disturbance (SS Credit 5.1)
- b) Controlled flow roof drainage (SS Credit 6.1)
- c) Rainwater harvesting (WE Credit 3.1 / 3.2)
- d) Innovation in design (ID Credit 1.1)



* Specify POG-6 for C.I. pipe and POG-6-PVC for PVC pipe. 2", 3", 4" sizes use same gasket.

LACQUERED METAL DOMES BODY WITH:				
MODEL NO.	WT Lbs.	OUTLET SIZE	POLY DOMES (STANDARD)	CAST IRON DOME (-M)
R1272,3,4-SR	40.50	2",3",4"	P.O.A.	P.O.A.
R1275,6-SR	44.50	5",6"	P.O.A.	P.O.A.

PARTS				
A2 BODY	A2-PD	A2-C3	HS-2	W-31
X2	X2		X2	

R1270-SR SERIES OPTIONAL VARIATIONS:					
SUFFIX	DESCRIPTION	LIST PRICE	SUFFIX	DESCRIPTION	LIST PRICE
-6	Vandal proof domes (metal domes only) (H-1029)	\$ 128.00	-G	Ballast guards (A2-BG)	\$ 810.00
-11	Acid resistant epoxy (excluding polydome)	\$ 1410.00	-M-80	Low profile aluminum domes (A2-MDL-80)	\$ 254.00
-12	Galvanized metal domes (Min. order 25 pcs. or P.O.A)	\$ 380.00	NH	No hub outlets (2",3",4",6")	Standard
-13	All galvanized (Min. order 25 pcs. or P.O.A)	\$ 882.00	P	Push on outlets (2",3",4",6")*	No Add
-30	PVC socket connection bodies* (2",3",4")	No Add	T	Threaded outlets (2",3",4",6")	\$ 80.00
-31	ABS socket connection bodies* (2",3",4")	No Add	-U	Underdeck clamps	\$ 248.00
-81	Rough bronze domes (A2-MDL-81)	\$ 854.00	X	Inside caulk outlets (2",3",4",6")	No Add
-83	Stainless steel mesh screen over domes (A2-SSD)	\$ 518.00			

* 2", 3", 4" outlet sizes only

Design and dimensions are subject to modification. Prices do not include applicable taxes. Visit www.mifab.com for the most recent product information.

MIFAB, Inc., 1321 West 119th Street, Chicago, Illinois 60643-5109, USA

Toll Free 1-800-465-2736, Fax 773-341-3049

All sales subject to MIFAB's Terms and Warranties. Please refer to inside front cover.