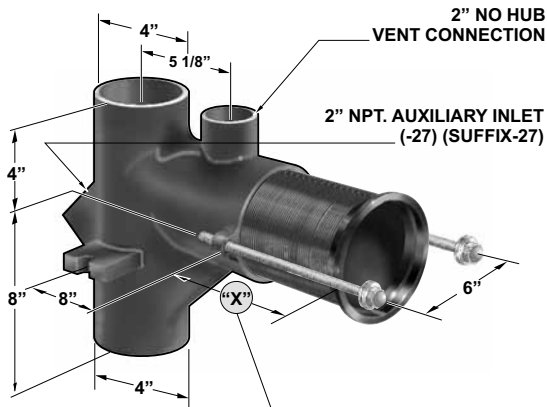


**MC-26**  
SERIES

**SINGLE STACK FITTING FOR FLOOR MOUNTED BACK OUTLET WATER CLOSETS**

**MC-26 SERIES**



"X" = 3 3/4" MIN TO 5" MAX  
WALL THICKNESS WITH  
STANDARD

**MC-26 and MC-27 OPTIONAL VARIATIONS:**

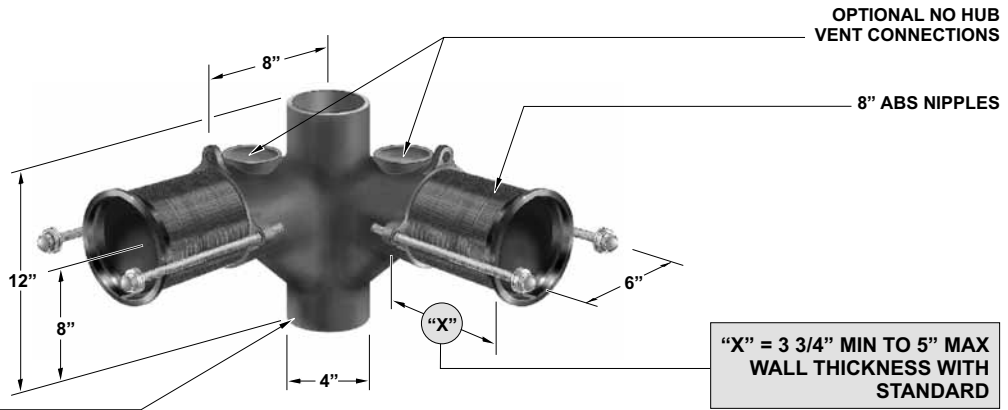
SUFFIX	DESCRIPTION	LIST PRICE	
		MC-26	MC-27
-01	Neoprene bowl gasket	\$ 31.00	\$ 62.00
-1	Finishing / Tiling frame	\$ 40.00	\$ 80.00
-3	Rear anchor support	No Add	N/A
-12	12" tapered thread ABS nipple*	No Add	No Add
-OR8	8" rolling thread ABS nipple	No Add	No Add
-OR12	12" rolling thread ABS nipple*	No Add	No Add
-AH8	8" ABS nipple with adjustable horn	No Add	No Add
-AH12	12" ABS nipple with adjustable horn*	No Add	No Add
-CI-4	4" rolling thread cast iron nipple	No Add	No Add
-CI-6	6" rolling thread cast iron nipple	No Add	No Add
-CI-8	8" rolling thread cast iron nipple	No Add	No Add
-CI-12	12" rolling thread cast iron nipple*	\$ 49.00	\$ 98.00
-CI-24	24" rolling thread cast iron nipple	\$ 152.00	\$ 304.00
-HD	500 Lb. rated heavy duty	\$ 355.00	\$ 710.00
-10	Auxiliary support, recommended with nipple lengths over 12"	\$ 421.00	\$ 847.00
-13	All galvanized (Min. order 25 pcs. or P.O.A.)	\$ 233.00	\$ 519.00
-14	Vandal proof finished trim	\$ 66.00	\$ 132.00
-17	Test plug for custom cast iron nipples	\$ 30.00	\$ 60.00
-19	Nipple wrench	\$ 52.00	\$ 52.00
-20	Flush valve support	\$ 43.00	\$ 86.00
-31	Two 2" NH vent connections	N/A	\$ 77.00

MODEL NO.	WT Lbs.	DESCRIPTION	LIST PRICE
MC-26	28.00	4" Single fitting with 2" vent	\$ 713.00

**MC-27**  
SERIES

**90° DOUBLE STACK FITTING FOR FLOOR MOUNTED BACK OUTLET WATER CLOSETS**

**MC-27 SERIES**



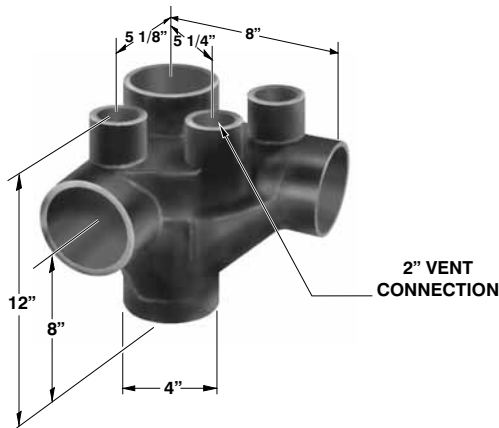
"X" = 3 3/4" MIN TO 5" MAX  
WALL THICKNESS WITH  
STANDARD

MODEL NO.	WT Lbs.	DESCRIPTION	LIST PRICE
MC-27	46.00	Double fitting for back outlet, floor mounted closet	\$ 2093.00

**MC-28**  
SERIES

**90° DOUBLE NO-HUB STACK FITTING FOR FLOOR MOUNTED BACK OUTLET WATER CLOSETS**

**MC-28 SERIES**



MODEL NO.	WT Lbs.	DESCRIPTION	LIST PRICE
MC-28	46.00	4" Pipe size 90° Double fitting with 2" center vent	\$ 803.00

**MC-28 OPTIONAL VARIATIONS:**

SUFFIX	DESCRIPTION	LIST PRICE
-13	All galvanized (Min. order 25 pcs. or P.O.A.)	\$ 393.00
-23	45° Auxiliary inlet	\$ 178.00
-32	No hub nipple w/4" cleanout for penal fixtures	\$ 745.00

Design and dimensions are subject to modification. Prices do not include applicable taxes. Visit [www.mifab.com](http://www.mifab.com) for the most recent product information.

MIFAB, Inc., 1321 West 119th Street, Chicago, Illinois 60643-5109, USA

Toll Free 1-800-465-2736, Fax 773-341-3049

All sales subject to MIFAB's Terms and Warranties. Please refer to inside front cover.