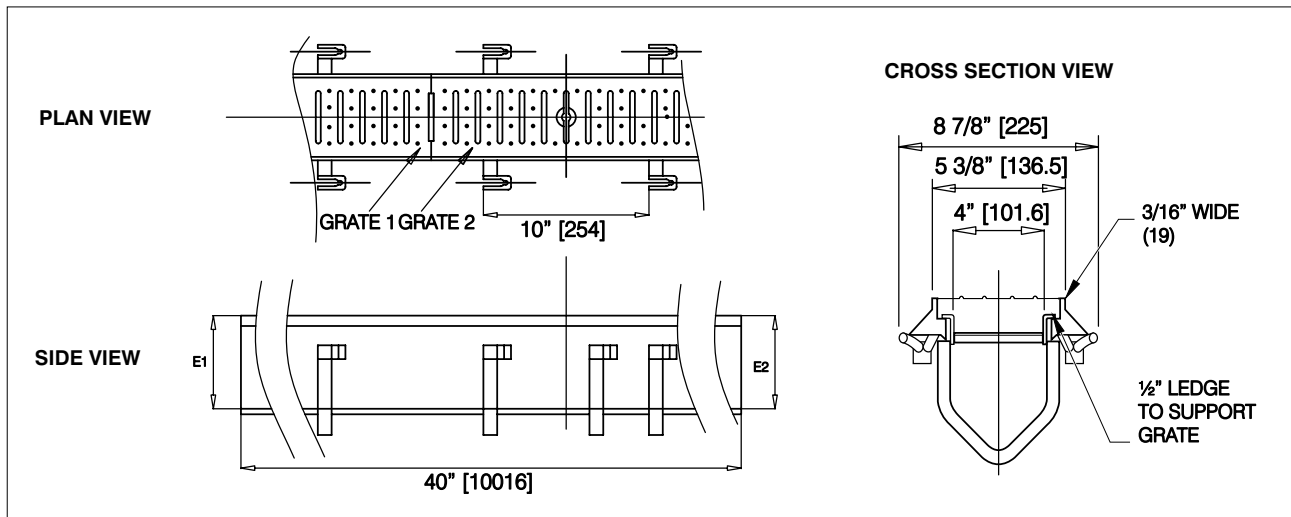


## T1400 SERIES 6" WIDE TRENCH DRAIN SYSTEM

## T1400 SERIES

**Specification:** MIFAB® Series T1400 channels shall be 39.33" long, 6" wide and have a 4" wide V shaped throat for maximum flow. Modular channels shall be made of High Density Polypropylene (HDPP) with interlocking ends for easy installation. Channels have either a flat (neutral) or a built in 1/4" slope. Channels are available to achieve an invert ranging from 5 1/4" to 9" and have an integral anchoring flange to accommodate vertical rebar for positioning and anchoring. Grates are available in Class A, B, C and/or E with mechanical lockdown devices. End caps, end outlets, bottom outlets, joint connectors and catch basins are available to complement the T1400 trench drain system.

**Function:** Used in car washes, malls and plazas, golf courses, factories and any other facilities that require large areas of surface drainage. Chemical resistant polypropylene material provides for long life. V configuration channel design ensures maximum flow of water. Polypropylene support board prevents debris from entering trench body during construction. Water resistant sealant recommended to seal between sections. Not recommended for exposed, overhead applications.



TRENCH DRAINS

BODY PART NO.	OVERALL DEPTH		MAX. FLOW RATE (GPM)
	E1 (MIN)	E2 (MAX)	
T1401-PB	5 1/4"	5 1/2"	130
T1402-PB	5 1/2"	5 3/4"	145
T1403-PB	5 3/4"	6"	160
T1403N-PB	6"	6"	-
T1404-PB	6"	6 1/4"	175
T1405-PB	6 1/4"	6 1/2"	190
T1406-PB	6 1/2"	6 3/4"	215
T1406N-PB	6 3/4"	6 3/4"	-
T1407-PB	6 3/4"	7"	230
T1408-PB	7"	7 1/4"	245

BODY PART NO.	OVERALL DEPTH		MAX. FLOW RATE (GPM)
	E1 (MIN)	E2 (MAX)	
T1409-PB	7 1/4"	7 1/2"	260
T1409N-PB	7 1/2"	7 1/2"	-
T1410-PB	7 1/2"	7 3/4"	275
T1411-PB	7 3/4"	8"	290
T1412-PB	8"	8 1/4"	305
T1412N-PB	8 1/4"	8 1/4"	-
T1413-PB	8 1/4"	8 1/2"	325
T1414-PB	8 1/2"	8 3/4"	335
T1415-PB	8 3/4"	9"	350
T1415N-PB	9"	9"	350

**OPTIONAL VARIATIONS:**

- Bottom dome strainer -BDS
- 4" no hub bottom outlet -BO4
- Extra heavy duty ductile iron grate (Standard) -DG
- Extra heavy duty ductile iron grate with stainless steel veneer -DGSS
- 4" no hub end outlet -EO4
- Closed end cap -EC
- Fabricated stainless steel (Type 304) slotted grate -FS
- Galvanized extra heavy duty ductile iron grate -GDG
- Vandal resistant grate lockdown assembly -GLVP

**SUFFIX**

- Extra heavy duty cast frame assembly -HD
- Extra heavy duty galvanized cast frame assembly -HDG
- Heavy duty polypropylene heel proof grate -HPP
- Extra heavy duty cast frame assembly with stainless steel veneer -HDS
- Extra heavy duty ductile iron longitudinal slotted grate -LDG
- Galvanized extra heavy duty ductile iron longitudinal slotted grate -LDGG
- Perforated galvanized steel light duty grate -PG

**SUFFIX**

- Perforated stainless steel (Type 304) light duty grate -PS
- Reinforced stainless steel (Type 304) slotted grate -RFS
- Reinforced galvanized steel perforated grate -RPG
- Reinforced stainless steel (Type 304) perforated grate -RPS
- Stainless steel (Type 304) cast bar grate -SBG
- Stainless steel (Type 304) fabricated heel proof bar grate -SBGHP
- Type 304 stainless steel top veneer frame -SVF

See Counterline Price Book CLPB-2009-USA for List Prices and discount structure of T1400 Series of TRENCH DRAIN PRODUCTS

All sales subject to MIFAB's Terms and Warranties. Please refer to inside front cover.

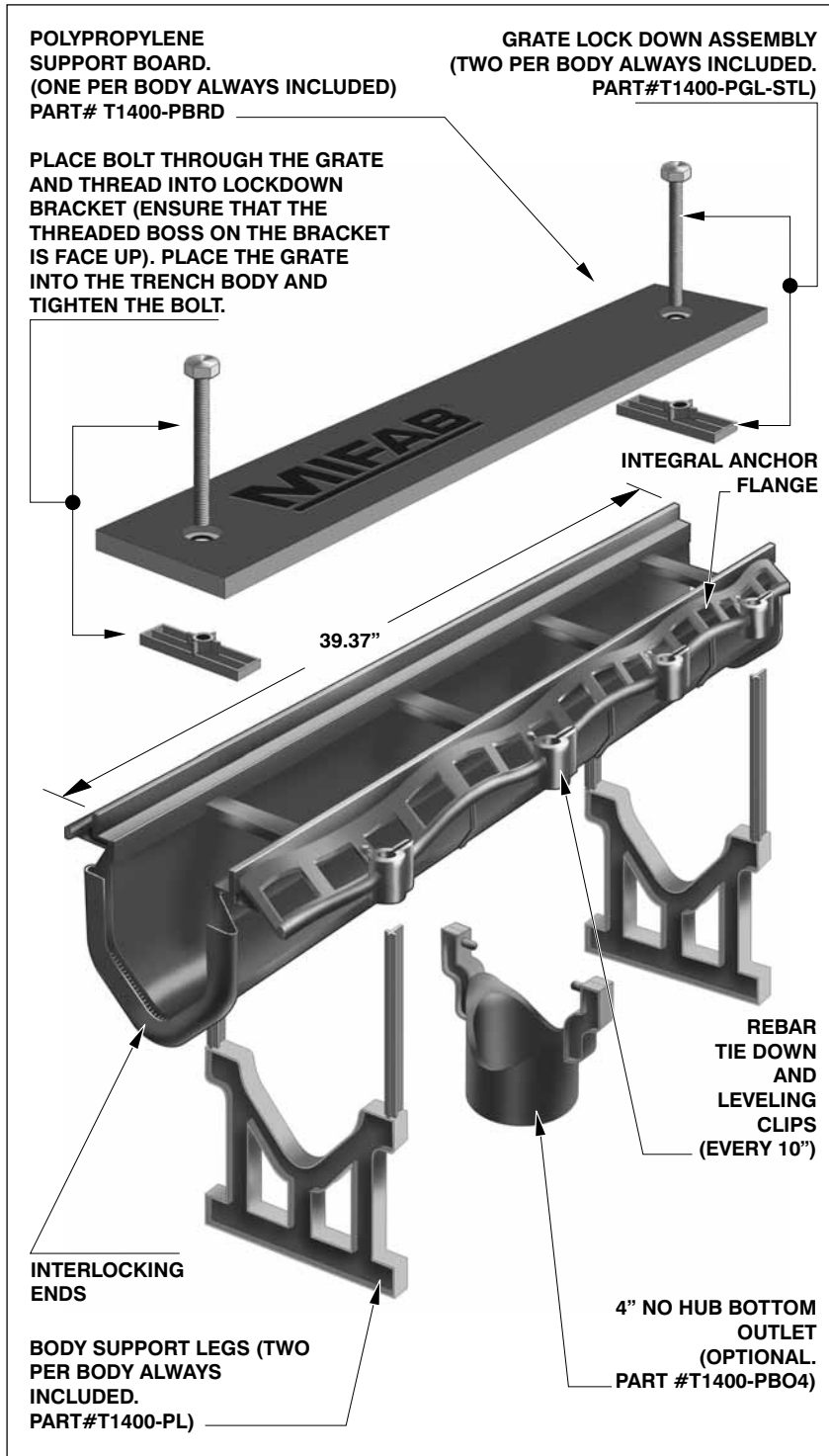
Design and dimensions are subject to modification. Prices do not include applicable taxes. Visit [www.mifab.com](http://www.mifab.com) for the most recent product information.

MIFAB, Inc., 1321 West 119th Street, Chicago, Illinois 60643-5109, USA

Toll Free 1-800-465-2736, Fax 773-341-3049

**6" WIDE POLYPROPYLENE TRENCH DRAIN SYSTEM**

**PROFORMER®**  
by MIFAB



■ **CLOSED END CAP - (Optional)**  
part # T1400-PEC. Suffix -EC  
Slide into body section with female end. Requires T1400-PCPL joint connector to use with male end body section.



■ **4" NO HUB END OUTLET - (Optional)**  
part # T1400-PEO4. Suffix -EO4  
Slide onto T1403-PB and deeper body sections with male end. Can use as an end inlet by cutting body section at double rib in body, and sliding over the male end.



■ **JOINT CONNECTOR - (Optional)**  
part # T1400-PCPL to connect 45° body parts to male end connections.

**TRENCH DRAINS**

See COUNTERLINE Price Book CLPB-2009-USA for List Prices and discount structure of T1400 Series of TRENCH DRAIN PRODUCTS

↓ PROFORMER® Profile 1/4" per section bottom slope. ↓

5 1/4"	T1401-PB	T1402-PB	T1403-PB	T1403N-PB	T1404-PB	T1405-PB	T1406-PB	T1406N-PB	T1407-PB	T1408-PB	7 1/4"
	NEUTRAL				NEUTRAL						

↑

All sales subject to MIFAB's Terms and Warranties. Please refer to inside front cover.

Design and dimensions are subject to modification. Prices do not include applicable taxes. Visit [www.mifab.com](http://www.mifab.com) for the most recent product information.

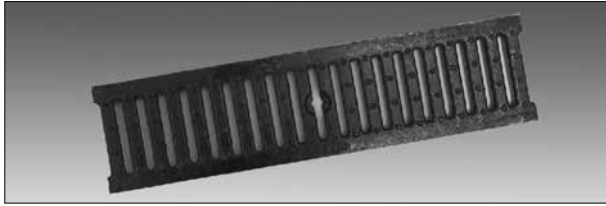
MIFAB, Inc., 1321 West 119th Street, Chicago, Illinois 60643-5109, USA

Toll Free 1-800-465-2736, Fax 773-341-3049

# GRATES

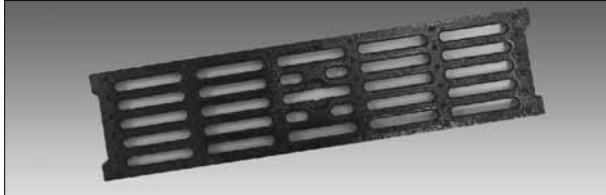
# PROFORMER<sup>®</sup>

**Load Class E.** Extra heavy duty load rated grates for high-speed cross traffic of 60 ton gross vehicle weight, 10 ton wheel load including solid tire and hard wheeled forklift traffic. Good resistance to impact from struts or metal wheels. All grates 20" long.

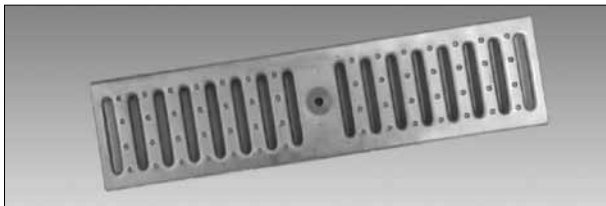


**NOTE:** Must use ductile iron frames with grates for class E + C load rating applications.

■ **T1400-PG-4** ductile iron slotted grate



■ **T1400-PG-LG-4** ductile iron longitudinal slotted grate. Horizontal slots for increased intake ability.



■ **T1400-PG-4-13** galvanized ductile iron slotted grate for corrosion resistance.

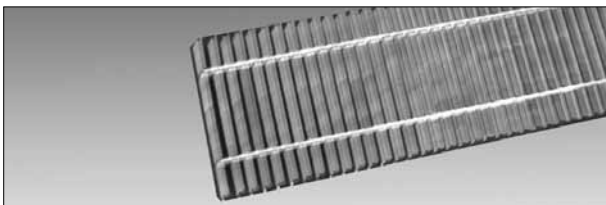


■ **T1400-PGV-4-3** ductile iron slotted grate with Type 304 stainless steel veneer. Illustrated with cast iron frame and Type 304 stainless steel veneer assembly. Must order assembled as illustrated.



■ **T1400-PGV-LG-4-3** ductile iron longitudinal slotted grate with Type 304 stainless steel veneer. Horizontal slots for increased intake ability. Illustrated with cast iron frame and Type 304 stainless steel veneer assembly. Must order assembled as illustrated.

**Load Class C.** Heavy duty rated grates for pneumatic tire vehicles and highway vehicles at low to moderate speeds. Applicable for parking areas and driveways.



■ **T1400-PG-SBG** cast stainless steel (Type 304) bar grate.

**See Counterline Price Book CLPB-2009-USA for List Prices and discount structure of T1400 Series of Trench Drain Products.**

TRENCH DRAINS

All sales subject to MIFAB's Terms and Warranties. Please refer to inside front cover.

Design and dimensions are subject to modification. Prices do not include applicable taxes. Visit [www.mifab.com](http://www.mifab.com) for the most recent product information.

MIFAB, Inc., 1321 West 119th Street, Chicago, Illinois 60643-5109, USA

Toll Free 1-800-465-2736, Fax 773-341-3049

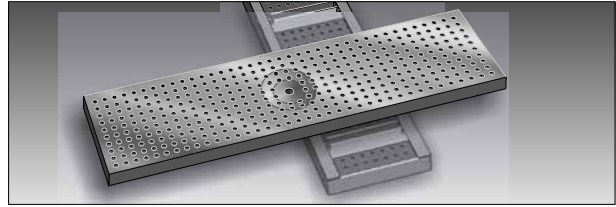
All sales subject to MIFAB's Terms and Warranties. Please refer to inside front cover.

## GRATES

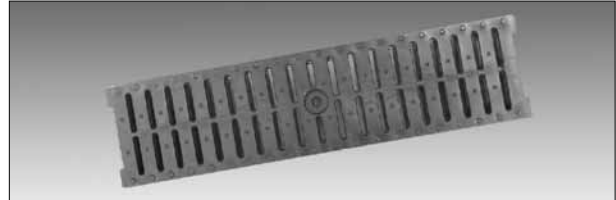
# PROFORMER<sup>®</sup>

**Load Class B.** Medium duty grates for slow speeds. Pneumatic tire traffic only.

- **T1400-RPGG** reinforced perforated galvanized steel grate. ¼" holes for efficient surface drainage and minimal solids collection. Heel proof and high corrosion resistance.



- **T1400-PG-HPP** polypropylene heel proof grate for chemical resistance.

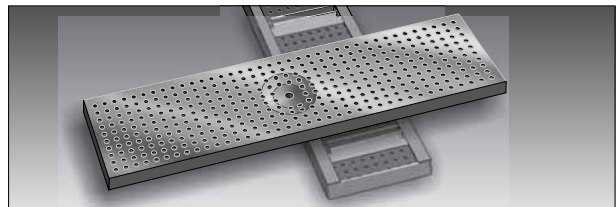


**Load Class A.** Light duty grates for pedestrian and bicycle traffic.

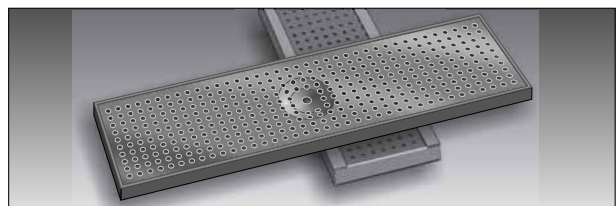
- **T1400-PG-RFS** reinforced slotted Type 304 stainless steel grate for corrosion resistance.



- **T1400-PG-RPS** reinforced perforated Type 304 stainless steel grate. ¼" holes for efficient surface drainage and minimal solids collection. Heel proof and high corrosion resistance.



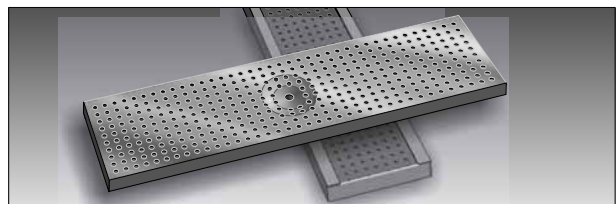
- **T1400-PG-PS** fabricated perforated Type 304 stainless steel grate. ¼" holes for efficient surface drainage and minimal solids collection. Heel proof and high corrosion resistance.



- **T1400-PG-FS** fabricated slotted Type 304 stainless steel grate for corrosion resistance.



- **T1400-PGG** fabricated perforated galvanized steel light duty grate. ¼" holes for efficient surface drainage and minimal solids collection. Heel proof and good corrosion resistance.



**See Counterline Price Book CLPB-2009-USA for List Prices and discount structure of T1400 Series of Trench Drain Products.**

Design and dimensions are subject to modification. Prices do not include applicable taxes. Visit [www.mifab.com](http://www.mifab.com) for the most recent product information.

MIFAB, Inc., 1321 West 119th Street, Chicago, Illinois 60643-5109, USA

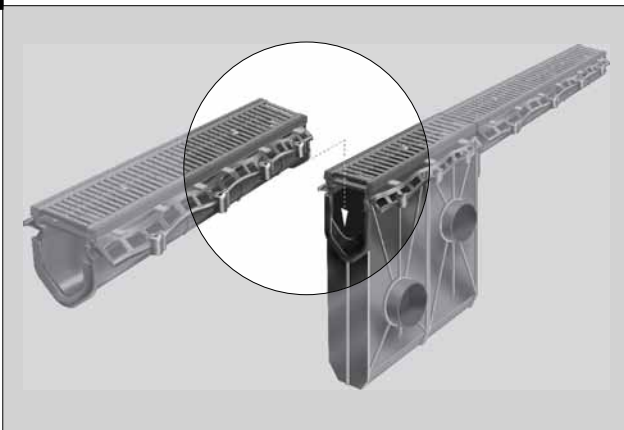
Toll Free 1-800-465-2736, Fax 773-341-3049

All sales subject to MIFAB's Terms and Warranties. Please refer to inside front cover.

**T1400-CB620 6" x 20" CATCH BASIN**

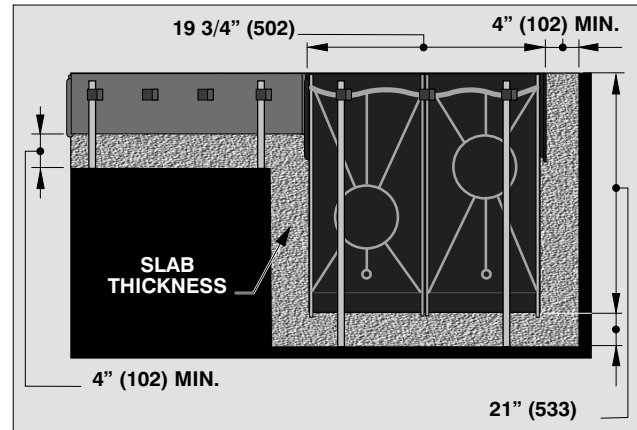
**T1400-CB620 SERIES**

SERIES



Easy to connect interlocking ends

**CROSS SECTION INSTALLATION**



TRENCH DRAINS

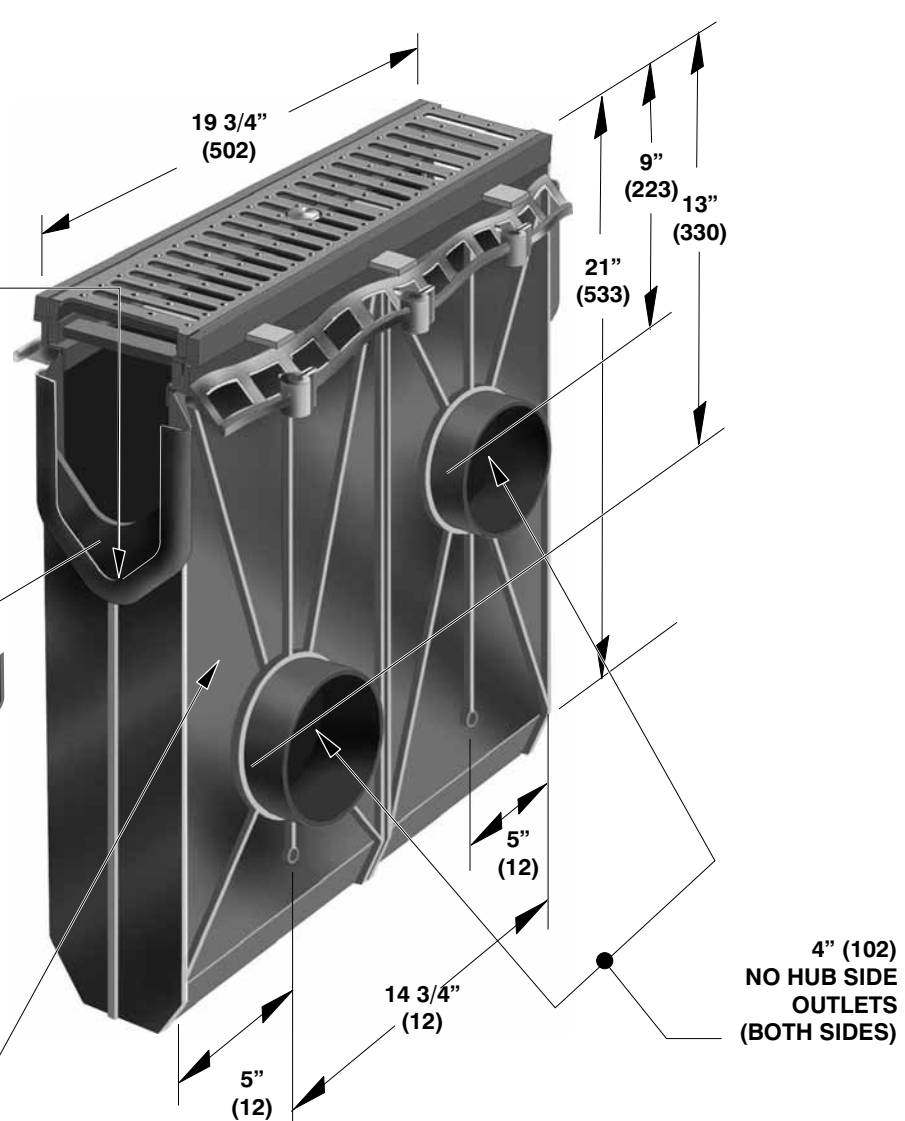
**INTERLOCKING ENDS**

FEMALE AT BOTH ENDS TO RECEIVE MALE END OF TRENCH DRAIN BODY SECTION. THIS ENSURES THAT TRENCH DRAIN BODY SECTIONS ALWAYS DRAINS TO CATCH BASIN

**FIELD TRIM**

T1400-CBA CATCH BASIN ADAPTER (TO FILL IN SPACE WHEN SHALLOW BODY SECTIONS ARE USED. NOT REQUIRED WITH T1415-PB BODY SECTION) CUT T1400-PEC CLOSED END CAP TO TRENCH BODY HEIGHT REQUIREMENTS.

**POLYPROPYLENE BODY**



Metric equivalents see chart below. (Dimension) Denotes Millimetres

T1400 product List Prices and Discount Structure are found in the CLPB-2009-USA Counterline List Price Book.

All sales subject to MIFAB's Terms and Warranties. Please refer to inside front cover.

Design and dimensions are subject to modification. Prices do not include applicable taxes. Visit [www.mifab.com](http://www.mifab.com) for the most recent product information.

MIFAB, Inc., 1321 West 119th Street, Chicago, Illinois 60643-5109, USA

Toll Free 1-800-465-2736, Fax 773-341-3049