



CAD-FR

CEILING OR WALL ACCESS DOOR, FIRE RESISTANT

Internet address: www.mifab.com

Toll Free: 1-800-465-2736

Canada Toll Free: 1-800-387-3880



SERIES CAD-FR

CEILING OR WALL ACCESS DOOR, FIRE RESISTANT

DESCRIPTION

The MIFAB® CAD-FR access door is designed for use in a suspended drywall ceiling. The CAD-FR is not fire rated. However, the combination of steel and fire rated tile supplied by others, may maintain the fire resistant quality of the ceiling assembly. The door is recessed 1 1/2" (38) to accommodate dual layered ceiling tile. Consult local fire codes for each application.

SPECIFICATIONS

Material CAD-FR Series is 16 gage satincoat steel door and 14 gage satincoat steel frame. The CAD-FR-SS stainless steel Series is 16 gage #304 stainless steel door and frame.

Finish Satincoat steel doors have a primed white finish. Stainless steel doors have a #2-B finish.

Door Recessed 1 1/2" (38) door pan to accept tile, drywall or finishing materials.

Frame Flush to surface. Mounting flange is 1-1/8" (28) wide and recessed 5/8" (15) from the door.

Hinge Latch Continuous piano hinge. 175 degree opening. Standard - Flush mounted, screwdriver operated cam. Optional - Allen key, cylinder key, or vandal resistant latch. All of MIFAB's cylinder key locks are keyed alike.

Packaging One door per carton.

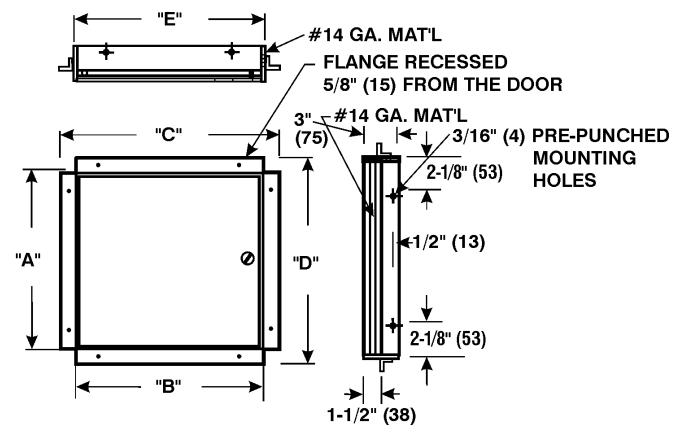
A-B Recess Area - Door Size - Minus 3/16" (4)

C-D Overall Dimensions - Door Size - Plus 2-1/4" (57)

E-F Wall Opening - Door Size - Plus 3/16" (4)

STANDARD SIZES (special sizes available upon request)

DOOR SIZE		WALL OPENING		SHIPPING WEIGHT		LAT-CHES
Inches	mm	Inches	mm	lbs.	kg.	
"B" x "A"	"B" x "A"	Inches	mm	lbs.	kg.	
12 x 12	305 x 305	12 3/16 x 12 3/16	310 x 310	7.3	3.3	1
18 x 18	457 x 457	18 3/16 x 18 3/16	462 x 462	12.5	5.6	3
24 x 24	610 x 610	24 3/16 x 24 3/16	614 x 614	21.8	9.9	3
22 x 30	559 x 762	22 3/16 x 30 3/16	564 x 767	26.0	11.8	3



OPTIONAL VARIATIONS:

- Allen key lock
- Cylinder key lock
- Stainless steel
- Vandal resistant

- suffix -A
- suffix -C
- suffix -SS
- suffix -VP

(Dimension) Denotes Millimetres

NOTE: The hinge is always furnished on the "A" or height (longer) dimension, unless otherwise specified.