



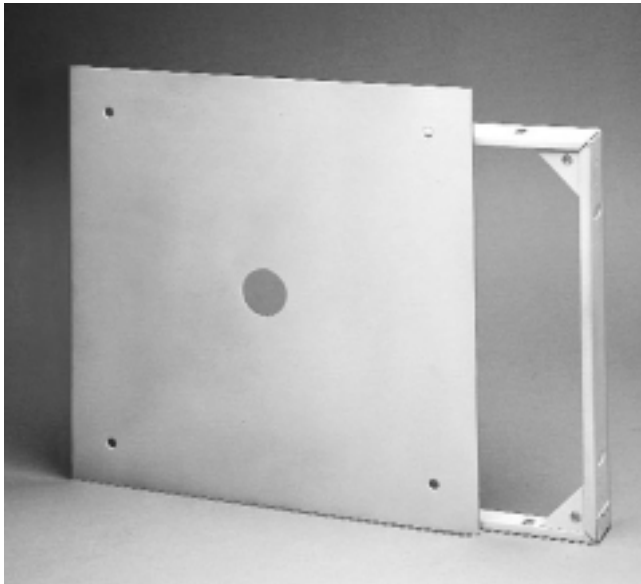
MI-FVP

FLUSH VALVE PANEL

Internet address: www.mifab.com

Toll Free: 1-800-465-2736

Canada Toll Free: 1-800-387-3880



SERIES MI-FVP

FLUSH VALVE PANEL

DESCRIPTION

The MIFAB® MI-FVP flush valve panel is designed for back supply toilets and urinals where the flush valve is built into the wall. This panel allows easy access to service the flush valve by maintenance personnel. The panel provides protection to the flush valve from vandalism.

SPECIFICATIONS

Material MI-FVP Series is 16 gage satincoat steel door and 16 gage satincoat steel frame. The MI-FVP-SS stainless steel Series is 16 gage #304 stainless steel door and frame.

Finish Steel doors have a primed white finish. Stainless steel doors have a #4 brush satin finish.

Door Has a 1 1/2" (38) diameter hole in the center of the panel for the flush valve pushbutton. Optional - solid door with no hole in the middle - Suffix "NH".

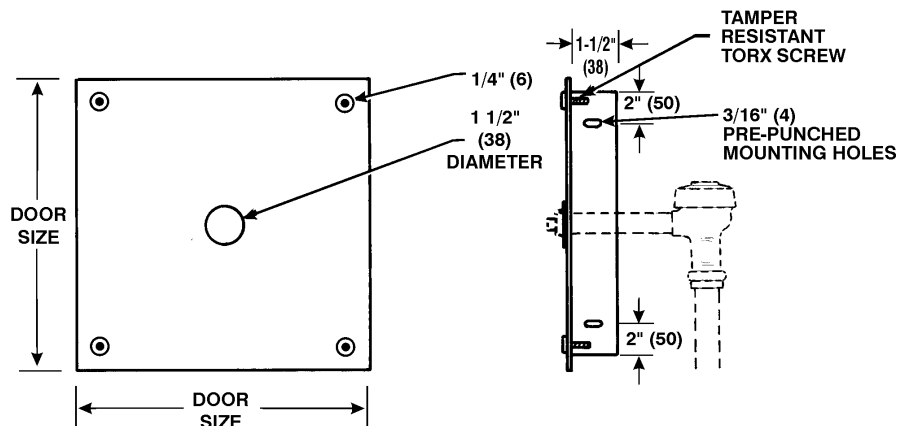
Frame One piece construction. The frame has pre-punched 3/16" (4) mounting holes for easy installation.

Latch Four 1/4" (6) - 20 x 1" (25) tamper resistant stainless steel torx screws.

Packaging One door per carton.

STANDARD SIZES (special sizes available upon request)

MODEL NO.	DOOR SIZE		WALL OPENING	
MI-FVP-1	12" x 12"	306 x 306	10 1/2" x 10 1/2"	268 x 268
MI-FVP-2	13" x 17"	332 x 434	11 1/2" x 15 1/2"	293 x 395



OPTIONAL VARIATIONS:

Stainless steel

suffix -SS

(Dimension) Denotes Millimetres

NOTE: The hinge is always furnished on the "A" or height (longer) dimension, unless otherwise specified.