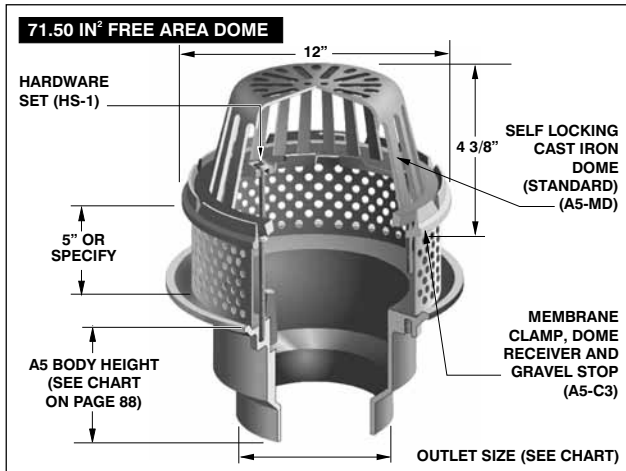


R1220-JC MEDIUM SUMP DRAIN WITH STAINLESS STEEL BALLAST GUARD



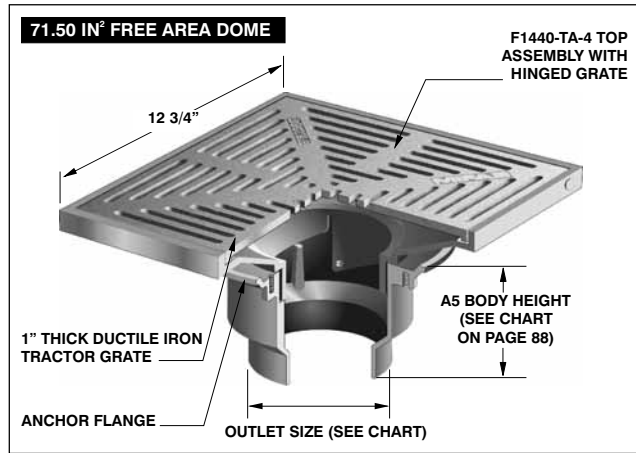
LACQUERED CAST IRON BODY WITH:				
MODEL NO.	WT Lbs.	OUTLET SIZE	CAST IRON DOME (-M)	
R1222,3,4,6-JC	21.00	2",3",4",6"	\$ 723.00	

R1220, R1220-EU, R1220-G, R1220-JC, R1220-PR, R1220-R AND R1220-RS SERIES OPTIONAL VARIATIONS:

SUFFIX	DESCRIPTION	LIST PRICE
-G	Ballast guard	\$ 323.00
-HC	Adjustable ballast guard with secondary clamp	\$ 400.00
-JC	Ballast guard with secondary clamp	\$ 400.00
-R	2" external water dam	\$ 99.00
-U	Underdeck clamp	\$ 77.00

MEDIUM SUMP PROMENADE DECK DRAIN

R1220-PR SERIES

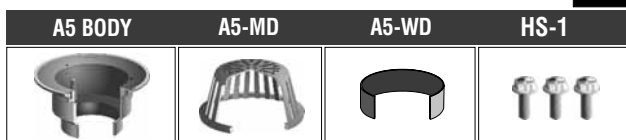
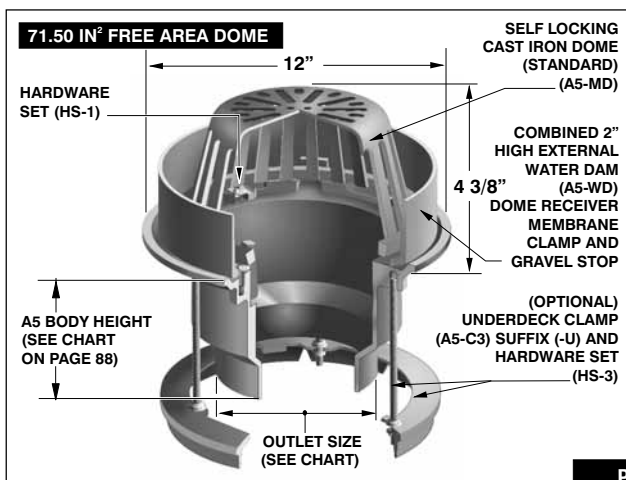


*Denotes Strainer finish (-1,-3 or -4)



LACQUERED CAST IRON BODY WITH:					
MODEL NO.	WT Lbs.	OUTLET SIZE	DUCTILE IRON (-4)	NICKEL BRONZE (VENEER) (-1)	STAINLESS STEEL (VENEER) (-3)
R1222,3,4,6-PR	53.00	2",3",4",6"	\$ 557.00	\$ 939.00	\$ 939.00

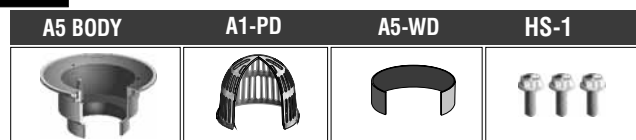
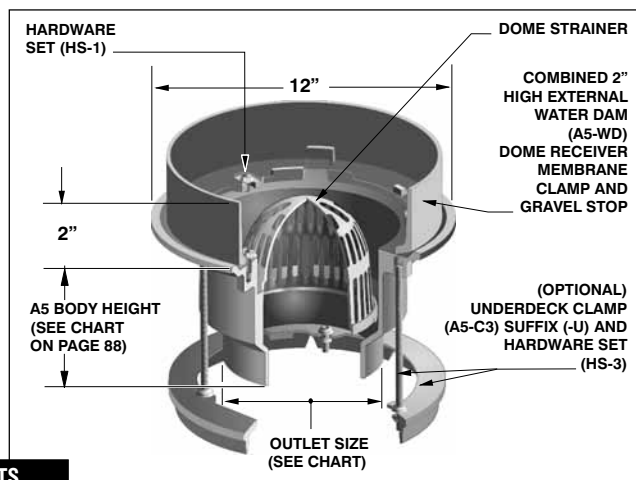
R1220-R MEDIUM SUMP ROOF DRAIN WITH INTEGRAL 2" WATER DAM



LACQUERED CAST IRON BODY WITH:				
MODEL NO.	WT Lbs.	OUTLET SIZE	CAST IRON DOME (-M)	
R1222,3,4,6-R	21.00	2",3",4",6"	\$ 422.00	

MEDIUM SUMP ROOF DECK CONDENSATE RECEPTOR DRAIN

R1220-RS SERIES



LACQUERED CAST IRON BODY WITH:				
MODEL NO.	WT Lbs.	OUTLET SIZE	POLY DOME (STANDARD)	
R1222,3,4,6-RS	28.00	2",3",4",6"	\$ 370.00	

Design and dimensions are subject to modification. Prices do not include applicable taxes.

Visit www.mifab.com for the most recent product information.

MIFAB, Inc., 1321 West 119th Street, Chicago, Illinois 60643-5109, USA

Toll Free 1-800-465-2736, Fax 773-341-3049

All sales subject to MIFAB's Terms and Warranties. Please refer to inside front cover.