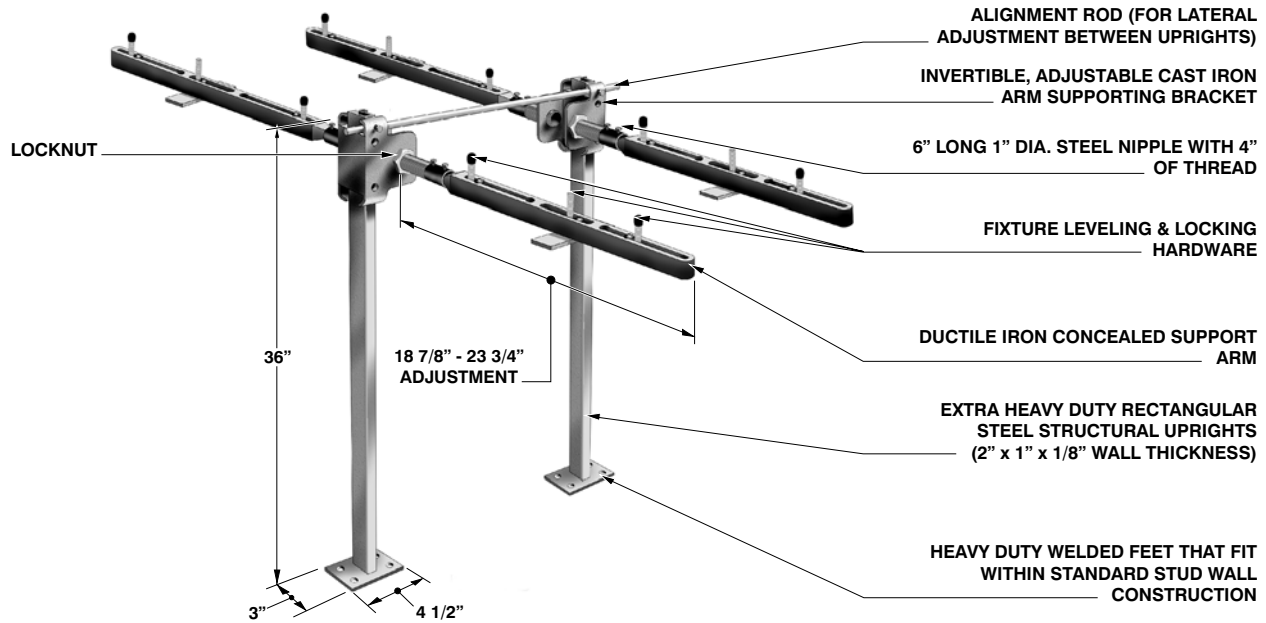


**MC-42D**  
SERIES

**BACK TO BACK FIXTURE CARRIER WITH CONCEALED ARMS FOR ADA LAVS**

**MC-42D SERIES**



**NOTE:** Foot supports should be securely anchored to floor with 1/2" bolts and anchors by others

MODEL NO.	WT Lbs.	DESCRIPTION	LIST PRICE
MC-42D	46.00	Back to Back ADA Concealed arms with two vertical uprights	\$ 753.00

**MC-42D OPTIONAL VARIATIONS:**

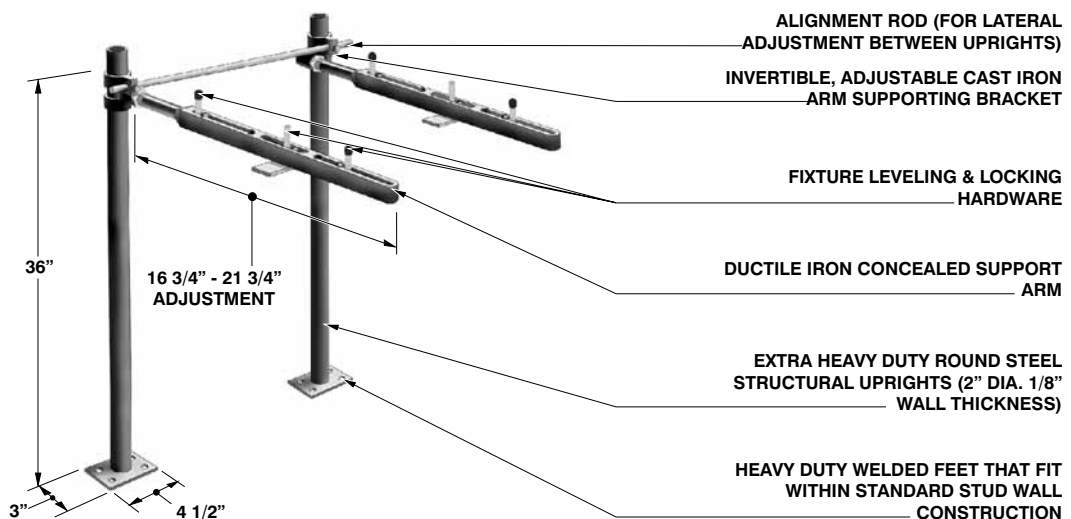
SUFFIX	DESCRIPTION	LIST PRICE	SUFFIX	DESCRIPTION	LIST PRICE
-A	Add per inch for nipple length over 6"	\$ 49.00	-E2	2" Chrome plated escutcheons (2 pair)	\$ 162.00
-B	Floor to ceiling uprights	\$ 487.00	-PF	Prefabricated carrier bank (per carrier)	\$ 112.00
			-G	Wall support plate, per plate (MC-31-PUP)	\$ 73.00

CARRIERS

**MC-42-R SERIES**

**ADA LAV CARRIER WITH CONCEALED ARMS AND ROUND UPRIGHTS**

**MC-42-R SERIES**



**NOTE:** Foot supports should be securely anchored to floor with 1/2" bolts and anchors by others

MODEL NO.	WT Lbs.	DESCRIPTION	LIST PRICE
MC-42-R	28.00	ADA Concealed arms with Round Uprights	\$ 569.00

**MC-42-R OPTIONAL VARIATIONS:**

SUFFIX	DESCRIPTION	LIST PRICE	SUFFIX	DESCRIPTION	LIST PRICE
-B	Floor to ceiling upright	\$ 487.00	-G	Wall support plate, per plate (MC-31-PUP)	\$ 73.00
-E2	2" Chrome plated escutcheons (pair)	\$ 81.00	-PF	Prefabricated carrier bank (per carrier)	\$ 56.00

Design and dimensions are subject to modification. Prices do not include applicable taxes. Visit [www.mifab.com](http://www.mifab.com) for the most recent product information.

MIFAB, Inc., 1321 West 119th Street, Chicago, Illinois 60643-5109, USA

Toll Free 1-800-465-2736, Fax 773-341-3049

All sales subject to MIFAB's Terms and Warranties. Please refer to inside front cover.