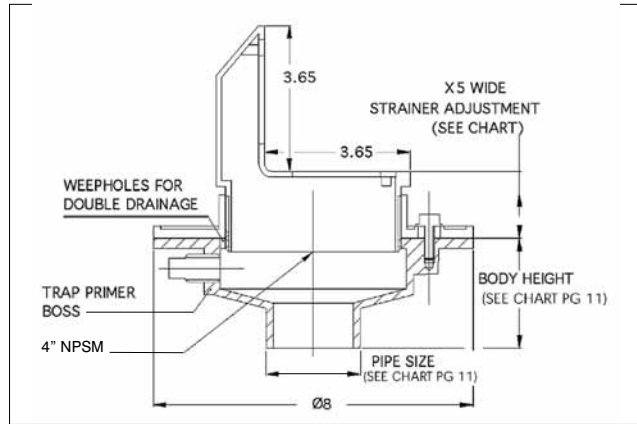
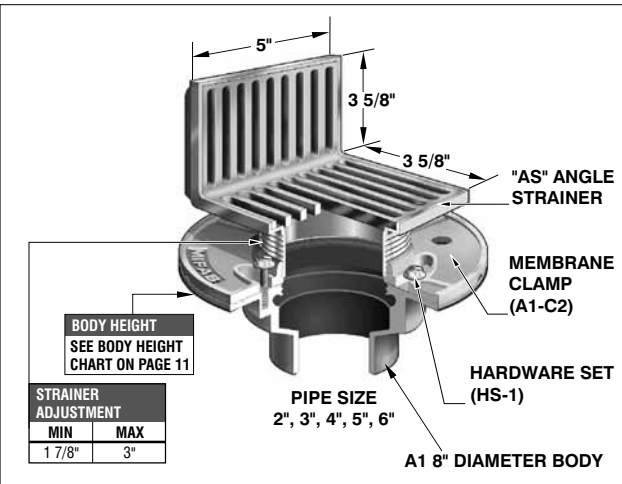


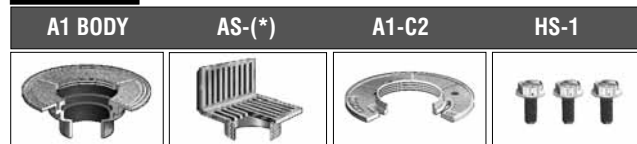
## F1100-C-AS FLOOR DRAIN WITH ADJUSTABLE ANGLE STRAINER

## F1100-C-AS SERIES

SERIES



### PARTS



(\* Denotes strainer finish (-1 or -3)

### FLOOR DRAIN WITH ADJUSTABLE ANGLE STRAINER

MODEL NUMBER	WT. Lbs	STRAINER SIZE	NICKEL BRONZE (-1) STAINLESS STEEL (-3)
F1102, 3, 4-C-AS	11.00	4" x 5" x 4"	\$1007.00

WHEN NO MEMBRANE CLAMP IS REQUIRED, DELETE SUFFIX (-C) AND DEDUCT \$43.00

### F1100-C-AS, F1100-C-DD, F1100-C-EF, and F1100-C-EG SERIES OPTIONAL VARIATIONS:

CONTINUE

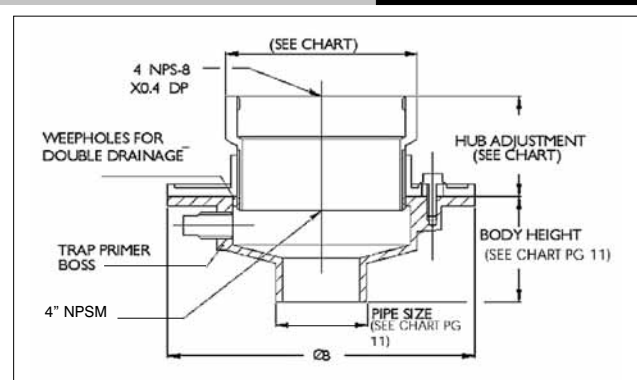
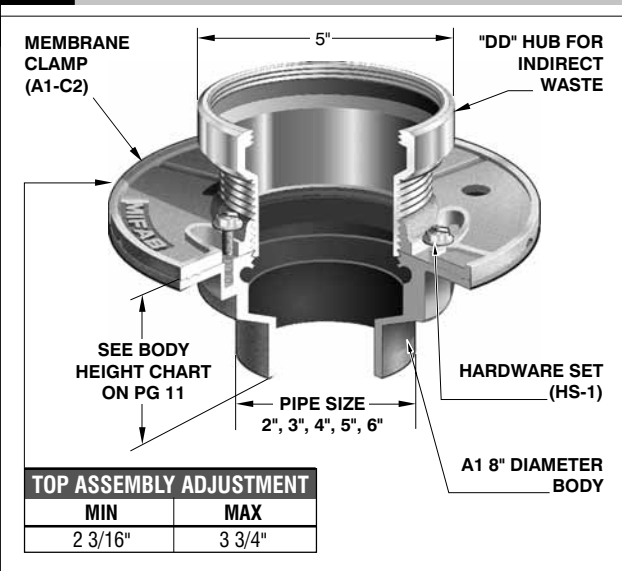
SUFFIX	DESCRIPTION	LIST PRICE	SUFFIX	DESCRIPTION	LIST PRICE
-5	Sediment bucket (A1-PB)	\$ 56.00	-21	Secondary flat strainer (FD-9600 Series)	\$ 31.00
-6	Security screws (TR25 Torx and pin)	\$ 28.00	-28	Stainless Steel Body (Type 304) (2", 3", 4" No Hub only)	P.O.A.
-7	Trap seal primer tapping	Standard	-30	PVC Socket Connection Body (2", 3" or 4")	No Add
-8	Backwater valve (BV1250 Series)	\$ 195.00	-31	ABS Socket Connection Body (2", 3" or 4")	No Add
-10	Decorative polished top (10 piece Min. order)	\$ 87.00	-34	Closure plug (C1440 Series)	\$ 187.00
-11	Acid resistant epoxy coated body (Min. order 25 pcs. or P.O.A)	\$ 133.00	-40	Underdeck clamp (A1-C3)	\$ 77.00
-13	Galvanized body (Min. order 25 pcs. or P.O.A)	\$ 101.00	-41	Sump receiver (A1-BP)	\$ 132.00
-15	Extension (DD-50)	\$ 71.00			

PVC/ABS Socket bodies available for 2", 3" or 4" connection sizes

## F1100-C-DD FLOOR DRAIN WITH ADJUSTABLE HUB INDIRECT WASTE STRAINER

## F1100-C-DD SERIES

SERIES



### PARTS



(\* Denotes strainer finish (-1, -3 or -50)

### FLOOR DRAIN WITH ADJUSTABLE HUB INDIRECT STRAINER

MODEL NUMBER	WT. Lbs	STRAINER SIZE	LIST PRICE: NICKEL BRONZE (-1) STAINLESS STEEL (-3)	LIST PRICE CAST IRON (-50)
F1102,3,4-C-DD	9.50	HUB DRAIN	\$380.00	-
F1102,3,4-C-DD-50	9.50	HUB DRAIN	-	\$170.00

WHEN NO MEMBRANE CLAMP IS REQUIRED, DELETE SUFFIX (-C) AND DEDUCT \$43.00

All sales subject to MIFAB's Terms and Warranties. Please refer to inside front cover.

Design and dimensions are subject to modification. Prices do not include applicable taxes. Visit [www.mifab.com](http://www.mifab.com) for the most recent product information.

MIFAB, Inc., 1321 West 119th Street, Chicago, Illinois 60643-5109, USA

Toll Free 1-800-465-2736, Fax 773-341-3049

All sales subject to MIFAB's Terms and Warranties. Please refer to inside front cover.