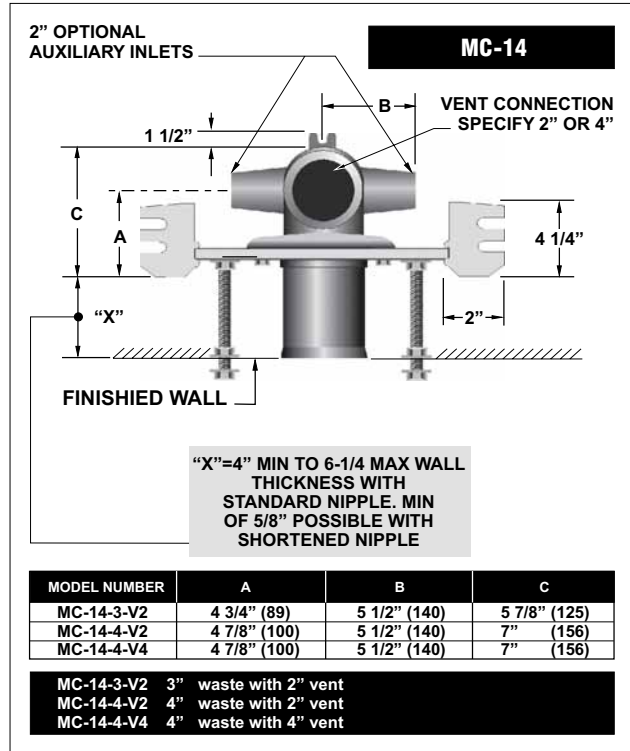
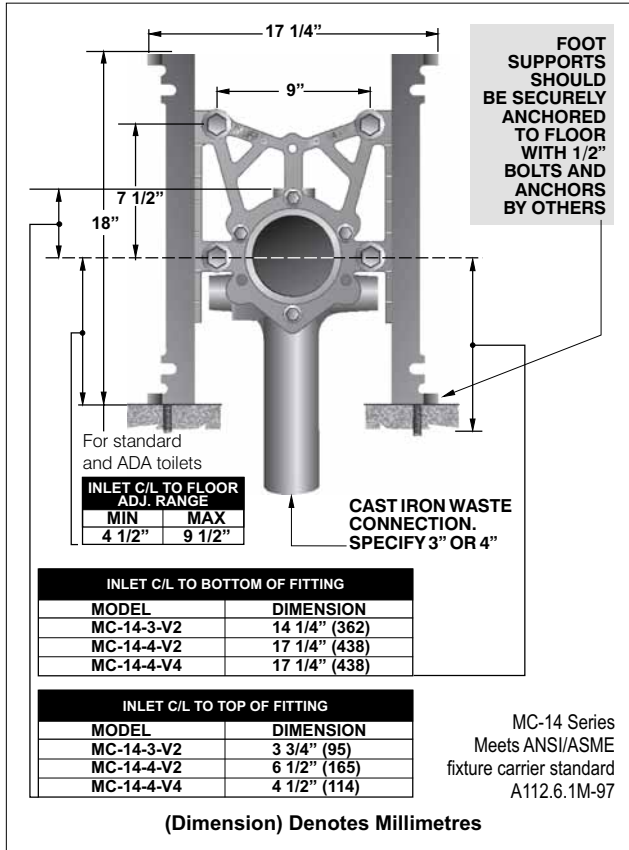


MC-14 SERIES FIXED VERTICAL ON-STACK WATER CLOSET CARRIER

**MC-14
SERIES**



Note: 8" tapered thread ABS nipple shipped standard with MC-14 Series carriers. The universal faceplate assembly accepts all nipple variations, rolling thread (-OR), cast iron (-CI) and tapered thread ABS with adjustable horn (-AH).

MC-14 SERIES			
MODEL NO.	DESCRIPTION	WEIGHT (Lbs.)	LIST PRICE
MC-14-3-V2	3" No-Hub Single - with 2" vent	62.00	\$ 698.00
MC-14-4-V2	4" No-Hub Single - with 2" vent	70.00	\$ 698.00
MC-14-4-V4	4" No-Hub Single - with 2" vent	70.00	\$ 698.00
Add for: -HS Hub and spigot connection			\$ 18.00

MC-14 OPTIONAL VARIATIONS:					
SUFFIX	DESCRIPTION	LIST PRICE	SUFFIX	DESCRIPTION	LIST PRICE
-01	Neoprene bowl gasket	\$ 31.00	-HDX	1,000 lb. rated extra heavy duty	\$1319.00
-1	Finishing / Tiling frame	\$ 40.00	-PF	Prefabricated carriers	No Add
-3	Rear anchor support	No Add	-10	Auxiliary support, recommended with nipple lengths over 12"	\$ 421.00
-12	12" tapered thread ABS nipple*	No Add	-13	All galvanized (Min. order 25 pcs. or P.O.A.)	\$ 713.00
-OR8	8" rolling thread ABS nipple	No Add	-14	Vandal proof finished trim	\$ 66.00
-OR12	12" rolling thread ABS nipple*	No Add	-17	Test plug for custom cast iron nipples	\$ 30.00
-AH8	8" ABS nipple with adjustable horn	No Add	-19	Nipple wrench	\$ 52.00
-AH12	12" ABS nipple with adjustable horn*	No Add	-20	Flush valve support	\$ 43.00
-CI-4	4" rolling thread cast iron nipple	No Add	-22	Less fitting	\$ 349.00
-CI-6	6" rolling thread cast iron nipple	No Add	-25	2" Auxiliary inlet, right side	\$ 178.00
-CI-8	8" rolling thread cast iron nipple	No Add	-26	2" Auxiliary inlet, left side	\$ 178.00
-CI-12	12" rolling thread cast iron nipple*	\$ 49.00	-31	Two 2" Auxiliary inlets	\$ 355.00
-CI-24	24" rolling thread cast iron nipple	\$ 152.00			
-HD	500 lb. rated heavy duty	\$ 355.00			

* H-1167-KA-14 (Threaded rods for 12" nipples 5/8" x 14") 12.00

Design and dimensions are subject to modification. Prices do not include applicable taxes. Visit www.mifab.com for the most recent product information.

MIFAB, Inc., 1321 West 119th Street, Chicago, Illinois 60643-5109, USA

Toll Free 1-800-465-2736, Fax 773-341-3049

All sales subject to MIFAB's Terms and Warranties. Please refer to inside front cover.

CARRIERS

