



CAD-DW

CEILING OR WALL ACCESS DOOR WITH DRYWALL BEAD

Internet address: www.mifab.com

Toll Free: 1-800-465-2736

Canada Toll Free: 1-800-387-3880



SERIES CAD-DW

CEILING OR WALL ACCESS DOOR WITH DRYWALL BEAD

DESCRIPTION

The MIFAB® CAD-DW recessed access door is designed for use in acoustical, drywall or tiled surfaces. The door panel is recessed 5/8" (15) to allow the insertion of various types of material. The outer frame has a galvanized drywall taping bead. Drywall cement can be applied over the beading at the same time as the wallboard joints and corners. It has a unique white finish.

SPECIFICATIONS

Material CAD-DW Series is 14 gage satincoat steel door and 14 gage satincoat steel frame. The CAD-DW-SS is 16 gage #304 stainless steel door and frame.

Finish Satincoat steel doors have a primed white finish. Stainless steel doors have a #2-B finish.

Door Recessed 5/8" (15) door pan to accept tile, drywall or other finishing materials.

Frame Drywall corner bead on all sides.

Hinge Concealed pivot rod.

Latch Standard - Flush mounted, screwdriver operated cam. Optional - Allen key, cylinder key, or vandal resistant latch. All of MIFAB's cylinder key locks are keyed alike.

Packaging One door per carton.

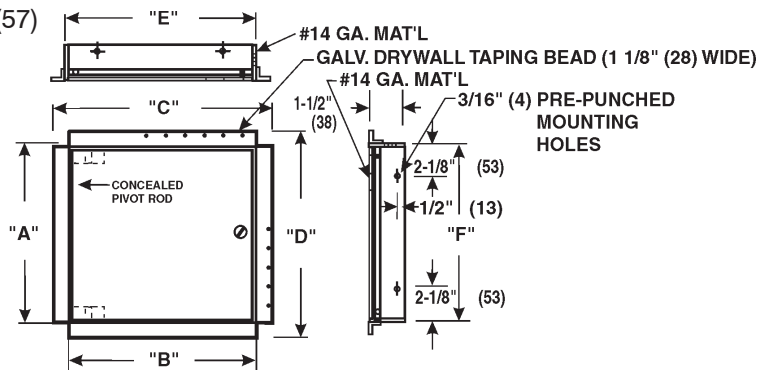
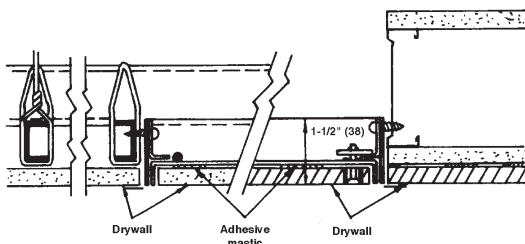
STANDARD SIZES (special sizes available upon request)

DOOR SIZE		WALL OPENING		SHIPPING WEIGHT		LATCHES
Inches	mm	Inches	mm	lbs.	kg.	
"B" x "A"	"B" x "A"	Inches	mm	lbs.	kg.	
8 x 8	203 x 203	8 3/8 x 8 3/8	213 x 213	5.0	2.2	1
12 x 12	305 x 305	12 3/8 x 12 3/8	314 x 314	7.5	3.4	1
12 x 24	305 x 610	12 3/8 x 24 3/8	314 x 619	13.0	5.9	1
14 x 14	356 x 356	14 3/8 x 14 3/8	365 x 365	9.5	4.7	1
16 x 16	406 x 406	16 3/8 x 16 3/8	416 x 416	11.5	5.7	1
18 x 18	457 x 457	18 3/8 x 18 3/8	467 x 467	13.0	5.9	3
24 x 24	610 x 610	24 3/8 x 24 3/8	619 x 619	19.5	8.8	3
24 x 36	610 x 914	24 3/8 x 36 3/8	619 x 924	23.0	10.4	4

A-B Recess - Door Size - Minus 3/16" (4)

C-D Overall Dimensions - Door Size - Plus 2 1/4" (57)

E-F Wall Opening - Door Size - Plus 3/8" (9)



OPTIONAL VARIATIONS:

- Allen key lock
- Cylinder key lock

suffix -A
suffix -C

- Stainless steel
- Vandal resistant

suffix -SS
suffix -VP

(Dimension) Denotes Millimetres

NOTE: The hinge is always furnished on the "A" or height (longer) dimension, unless otherwise specified.