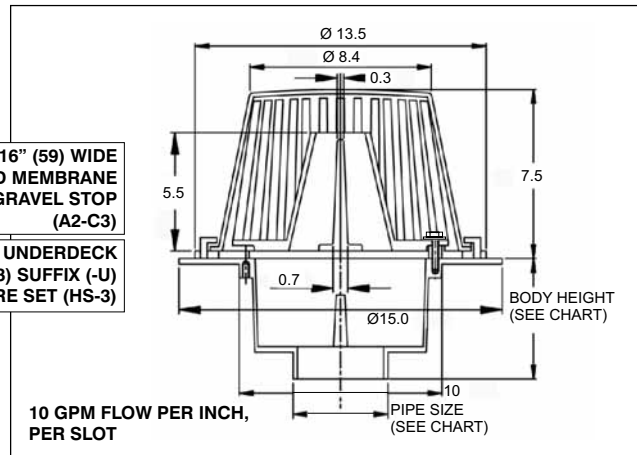
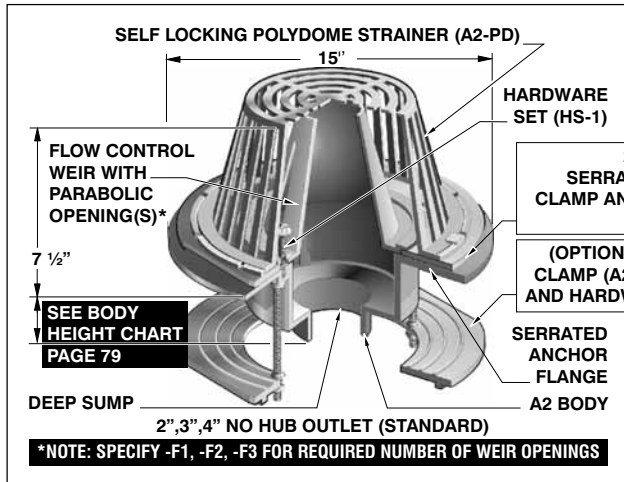


R1200-F SERIES

LARGE SUMP ROOF DRAIN WITH PARABOLIC FLOW CONTROL WEIR

R1200-F SERIES



LACQUERED CAST IRON BODY WITH:

MODEL NO.	WT Lbs.	OUTLET SIZE	POLY DOME (STANDARD)	CAST IRON DOME (-M)
R1202, 3, 4-F	26.00	2", 3", 4"	\$996.00	\$1105.00

PARTS

A2 BODY	A2-PD	A2-C3	HS-1	A2-F* WEIR

(*) Denotes number of slots in weir (1, 2 or 3)

R1200-BUV, R1200-EU, R1200-F, AND R1200-G SERIES OPTIONAL VARIATIONS/ (CONTINUED FROM PAGE 80):

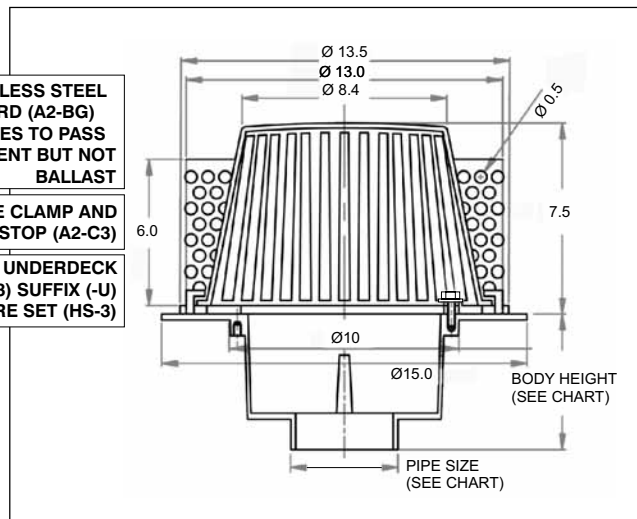
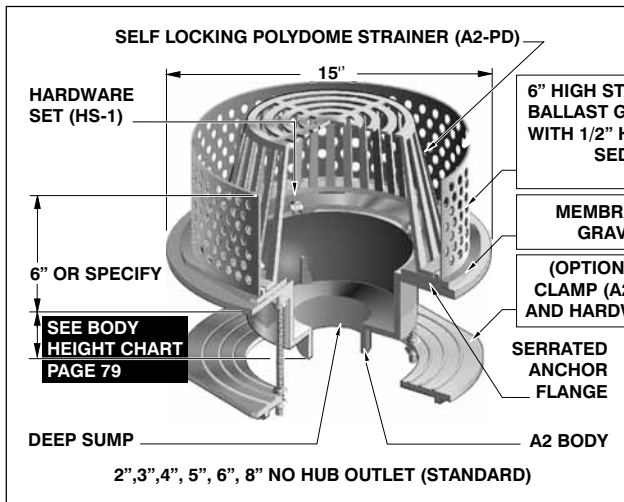
SUFFIX	DESCRIPTION	LIST PRICE	SUFFIX	DESCRIPTION	LIST PRICE
-C	Secondary clamp (A2-C3)	\$ 124.00	-U	Underdeck clamp (A2-C3) (Incl. w/ich BUV)	\$ 124.00
-E	Adjustable extension (see page 72, point #7)	\$ 363.00	-U3	Underdeck clamp with cut away side (A2-C3-CO)	\$ 124.00
-EG	Galvanized adjustable extension	\$ 548.00	-V	Fixed extension. (2", 3", 4") (A2-V2, A2-V3-A2-V4)	\$ 340.00
-F1, -F2, -F3	Accuflow (parabolic weir) (A2-F1, A2-F2 or A2-F3)	\$ 632.00	-VG	Galvanized fixed extension. (2", 3", 4")	\$ 522.00
-G	Ballast guard (A2-BG)	\$ 405.00	-W	Adjustable water dam (5" high x 4" diameter) (W-31)	\$ 217.00
-HC	Adj. ballast guard with secondary clamp	\$ 529.00	-W-1	Water proofing flange (A2-W-1)	\$ 228.00
-JC	Ballast guard with secondary clamp	\$ 529.00	-W2	2" internal water dam (A2-C3-W and W-31)	\$ 217.00
M-80	Low aluminum dome (4 1/4" high) (A2-MDL-80)	\$ 127.00	-W3	3" internal water dam (A2-C3-W and W-31)	\$ 217.00
-P	Push on outlet, (2", 3", 4", 6")*	No Add	-W4	4" internal water dam (A2-C3-W and W-31)	\$ 217.00
-R	2" external water dam (A2-WD)	\$ 119.00	X	Inside caulk outlet (2", 3", 4", 6")	No Add
T	Threaded outlet, (2", 3", 4", 6")	\$ 40.00	-Z	Extended wide flange (20" Dia. x 1/4" thick)	P.O.A.

* Specify POG-6 for C.I. pipe and POG-6-PVC for PVC pipe 2", 3", 4" sizes use same gasket.

R1200-G SERIES

LARGE SUMP ROOF DRAIN WITH BALLAST GUARD FOR I.R.M.A. ROOFS

R1200-G SERIES



LACQUERED CAST IRON BODY WITH:

MODEL NO.	WT Lbs.	OUTLET SIZE	POLY DOME (STANDARD)	CAST IRON DOME (-M)
R1202, 3, 4-G	21.00	2", 3", 4"	\$ 769.00	\$ 878.00
R1205, 6-G	23.00	5", 6"	\$ 926.00	\$ 1035.00
R1208-G	25.00	8"	\$ 1083.00	\$ 1192.00

PARTS

A2 BODY	A2-PD	A2-BG	A2-C3	HS-1

Design and dimensions are subject to modification. Prices do not include applicable taxes. Visit www.mifab.com for the most recent product information.

MIFAB, Inc., 1321 West 119th Street, Chicago, Illinois 60643-5109, USA

Toll Free 1-800-465-2736, Fax 773-341-3049

All sales subject to MIFAB's Terms and Warranties. Please refer to inside front cover.

ROOF DRAINS