



## CAD-PL

### CEILING OR WALL ACCESS DOOR, PLASTER FINISH

Internet address: [www.mifab.com](http://www.mifab.com)

Toll Free: 1-800-465-2736

Canada Toll Free: 1-800-387-3880



## SERIES CAD-PL

CEILING OR WALL ACCESS DOOR, PLASTER FINISH

### DESCRIPTION

The MIFAB® CAD-PL recessed access door is designed for use in acoustic plaster walls and ceilings. The door panel is recessed 5/8" (15) and is lined with a self-furring metal lath to allow the insertion of plaster within the door panel. A 2-3/4" (70) wide metal lath extends from the perimeter of the frame. Only the thickness of the door and frame edges are exposed. It has a unique white finish.

### SPECIFICATIONS

**Material** CAD-PL Series is 14 gage satincoat steel door and 14 gage satincoat steel frame. The CAD-PL-SS stainless steel Series is 16 gage #304 stainless steel door and frame.

**Finish** Satincoat steel doors have a primed white finish. Stainless steel doors have a #2-B finish.

**Door** Recessed 5/8" (15) door pan with self-furring metal lath to accept plaster.

**Frame** Mounting flange is 1-1/8" (28) wide and recessed 5/8" (15) from the door and lined with a 2-3/4" (70) wide self-furring metal lath.

**Hinge** Concealed pivot rod.

**Latch** Standard - Flush mounted, screwdriver operated cam. Optional - Allen key, cylinder key, or vandal resistant latch. All of MIFAB's cylinder key locks are keyed alike.

**Packaging** One door per carton.

#### STANDARD SIZES (special sizes available upon request)

DOOR SIZE		WALL OPENING		SHIPPING WEIGHT		LAT-CHES
Inches	mm	Inches	mm	lbs.	kg.	
"B" x "A"	"B" x "A"	Inches	mm	lbs.	kg.	
12 x 12	305 x 305	12 3/8 x 12 3/8	314 x 314	8.5	3.8	1
12 x 24	305 x 610	12 3/8 x 24 3/8	314 x 619	15.0	6.8	1
18 x 18	457 x 457	18 3/8 x 18 3/8	467 x 467	15.0	6.8	3
24 x 24	610 x 610	24 3/8 x 24 3/8	619 x 619	23.0	10.4	3
24 x 36	610 x 914	24 3/8 x 36 3/8	619 x 924	27.0	12.2	4

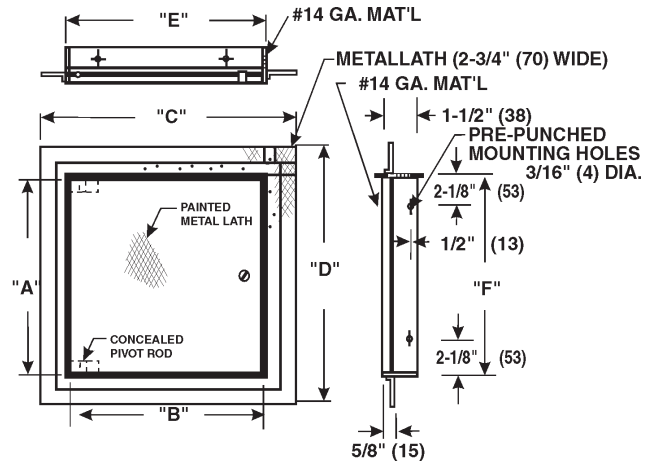
- A-B Recess - Door Size - Minus 3/16" (4)
- C-D Overall Dimensions - Door Size - Plus 5-1/2" (140)
- E-F Wall Opening - Door Size - Plus 3/8" (9)

#### OPTIONAL VARIATIONS:

- Allen key lock
- Cylinder key lock
- Stainless steel
- Vandal resistant

- suffix -A
- suffix -C
- suffix -SS
- suffix -VP

(Dimension) Denotes Millimetres



**NOTE:** The hinge is always furnished on the "A" or height (longer) dimension, unless otherwise specified.