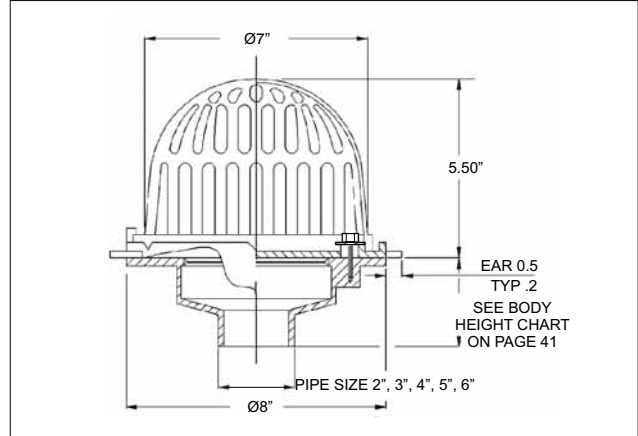
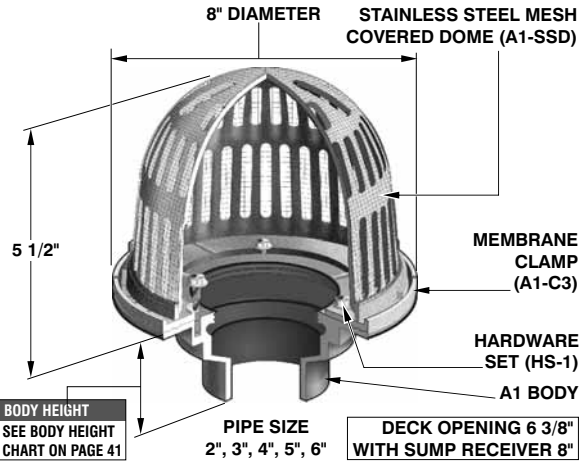


F1810 SERIES PLANTING AREA DRAIN

F1810 SERIES



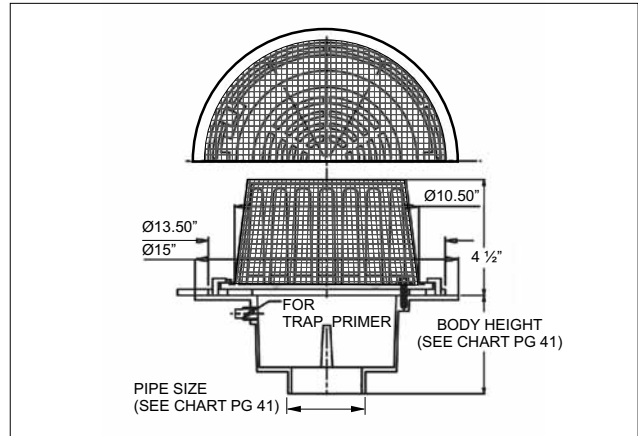
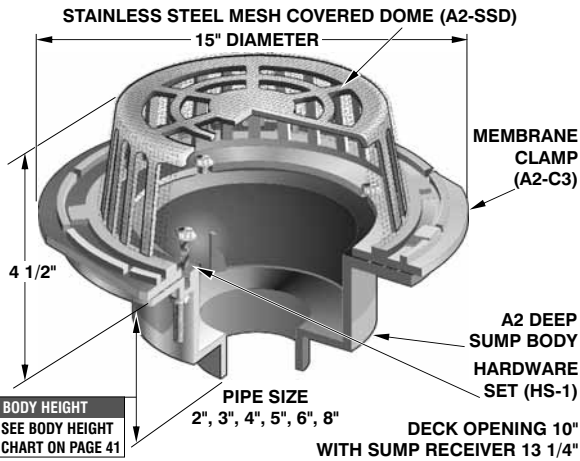
F1810 PLANTING AREA DRAIN		
MODEL NUMBER	WT. Lbs	LACQUERED CAST IRON BODY WITH METAL DOME WITH SS MESH SCREEN (-50)
F1812,3,4,6	7.00	\$577.00

PARTS			
A1 BODY	A1-C3	A1-SSD	HS-1

F1810 OPTIONAL VARIATIONS:					
SUFFIX	DESCRIPTION	LIST PRICE	SUFFIX	DESCRIPTION	LIST PRICE
-6	Vandal proof dome	\$ 59.00	-41	Sump receiver (A1-BP)	\$133.00
-11	Acid resistant epoxy coating (Min. order 25 pcs. or P.O.A.)	\$104.00	-81	Rough bronze dome with mesh	\$106.00
-13	All galvanized (Min. order 25 pcs. or P.O.A.)	\$104.00	-90	Threaded side outlet (2", 3", 4") (4" - \$159.00)	\$112.00
-30	PVC socket connection body (2", 3", 4")	No Add	P	Push on outlet (2", 3", 4")	No Add
-31	ABS socket connection body (2", 3", 4")	No Add	T	Threaded outlet (2", 3", 4")	\$ 40.00
-40	Deck clamp (A1-C3)	\$ 77.00	X	Inside caulk outlet (2", 3", 4")	No Add

F1820 SERIES LARGE FREE AREA PLANTING AREA DRAIN

F1820 SERIES



F1820 LARGE FREE AREA PLANTING AREA DRAIN		
MODEL NUMBER	WT. Lbs	LACQUERED CAST IRON BODY WITH ALUMINUM DOME WITH SS MESH SCREEN (-4)
F1822,3,4,6,8	31.50	\$563.00

PARTS			
A2 BODY	A2-C3	A2-SSD	HS-1

F1820 OPTIONAL VARIATIONS:					
SUFFIX	DESCRIPTION	LIST PRICE	SUFFIX	DESCRIPTION	LIST PRICE
-6	Vandal proof dome	\$ 65.00	-41	Sump receiver (A2-BP)	\$139.00
-11	Acid resistant epoxy coating (Min. order 25 pcs. or P.O.A.)	\$202.00	-81	Rough bronze dome with mesh	\$166.00
-13	All galvanized (Min. order 25 pcs. or P.O.A.)	\$202.00	-90	Threaded side outlet (2", 3", 4")	\$190.00
-30	PVC socket connection body (2", 3", 4")	No Add	P	Push on outlet (2", 3", 4")	No Add
-31	ABS socket connection body (2", 3", 4")	No Add	T	Threaded outlet (2", 3", 4")	\$ 40.00
-40	Deck clamp (A2-C3)	\$123.00	X	Inside caulk outlet (2", 3", 4")	No Add

Design and dimensions are subject to modification. Prices do not include applicable taxes. Visit www.mifab.com for the most recent product information.

MIFAB, Inc., 1321 West 119th Street, Chicago, Illinois 60643-5109, USA

Toll Free 1-800-465-2736, Fax 773-341-3049

All sales subject to MIFAB's Terms and Warranties. Please refer to inside front cover.