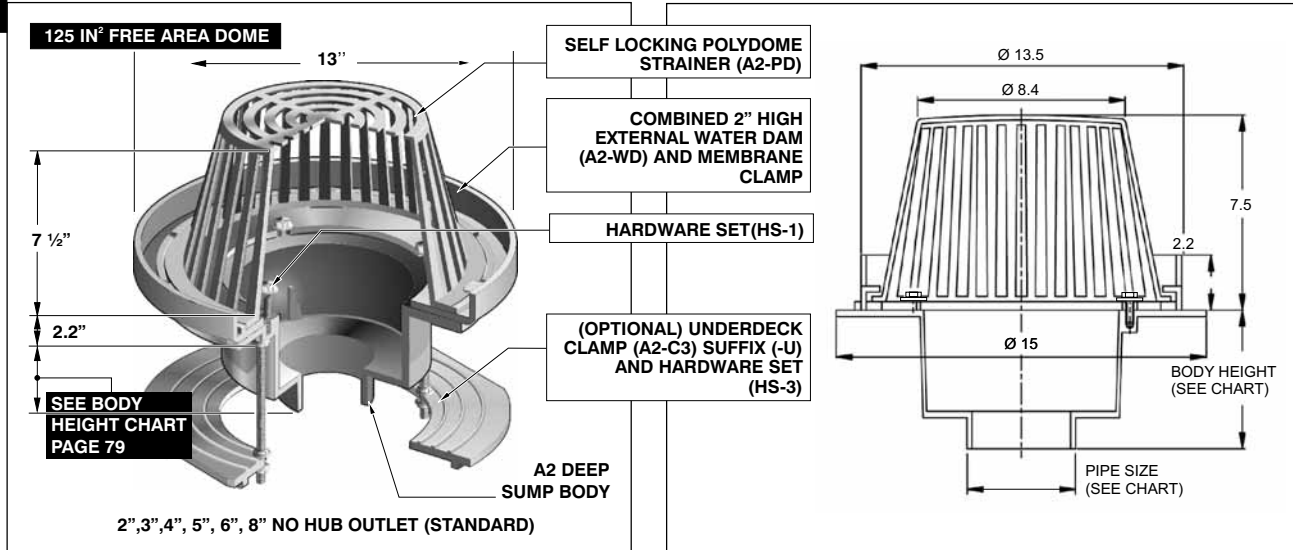


**R1200-R**  
SERIES

**LARGE SUMP ROOF DRAIN WITH EXTERNAL 2" HIGH WATER DAM**

**R1200-R** SERIES



**LACQUERED CAST IRON BODY WITH:**

MODEL NO.	WT Lbs.	OUTLET SIZE	POLY DOME (STANDARD)	CAST IRON (-M)
R1202, 3, 4-R	21.50	2", 3", 4"	\$483.00	\$592.00
R1205, 6-R	24.00	5", 6"	\$640.00	\$749.00
R1208-R	26.75	8"	\$797.00	\$906.00



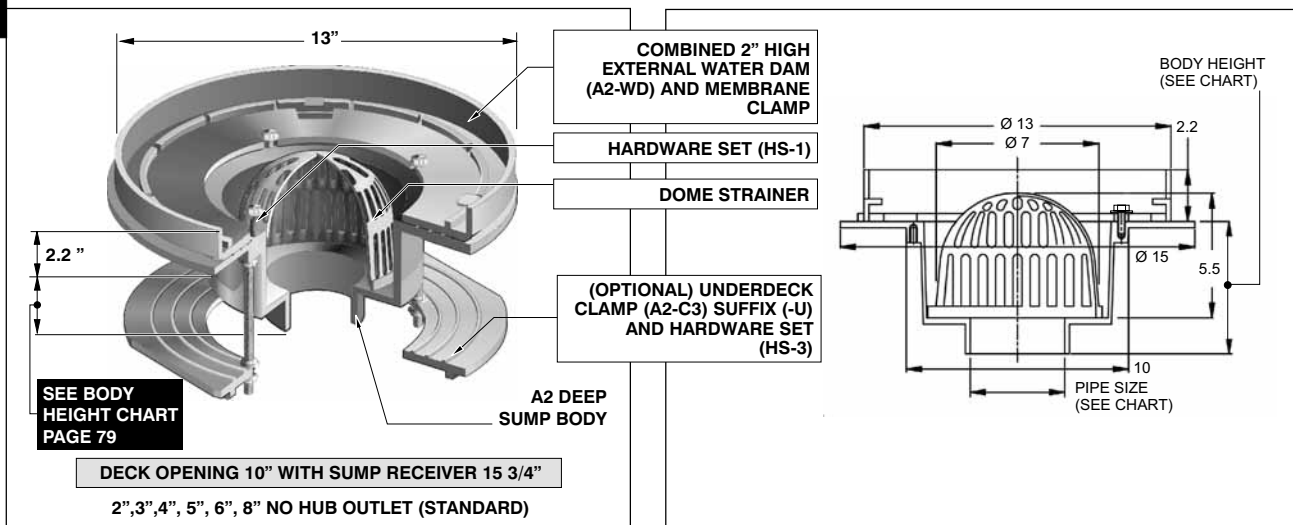
**R1200-R, R1200-RS, R1200-W, AND R1200-Z SERIES OPTIONAL VARIATIONS:**

SUFFIX	DESCRIPTION	LIST PRICE	SUFFIX	DESCRIPTION	LIST PRICE
-6	Vandal proof dome (Metal dome only) (H-1029)	\$ 64.00	-30	PVC socket connection body* (2", 3", 4")	No Add
-11	Acid resistant epoxy (Excluding polydome)	\$ 710.00	-31	ABS socket connection body* (2", 3", 4")	No Add
-12	Galvanized metal dome (Min. order 25 pcs. or P.O.A.)	\$ 190.00	-81	Rough bronze dome (A2-MDL-81)	\$ 427.00
-12A	Galvanized body and membrane clamp (Min. order 25 pcs. or P.O.A.)	\$ 441.00	-83	Stainless steel mesh screen over dome (A2-SSD)	\$ 259.00
-13	Galvanized body, membrane clamp and dome (Min. order 25 pcs. or P.O.A.)	\$ 628.00	-90	Threaded side outlet (cast iron only) (2", 3", 4")	\$ 190.00
-28	Stainless steel body (Type 304)	P.O.A.	-90NH	No hub side outlet (cast iron only) (2", 3", 4")	\$ 190.00
			-B	Sump receiver (A2-BP) (A2-BP-90 for R1200-90 Series)	\$ 139.00

**R1200-RS**  
SERIES

**LARGE SUMP ROOF DECK CONDENSATE RECEPTION DRAIN**

**R1200-RS** SERIES



**LACQUERED CAST IRON BODY WITH:**

MODEL NO.	WT Lbs.	OUTLET SIZE	POLY DOME (STANDARD)
R1202, 3, 4-RS	22.00	2", 3", 4"	\$483.00
R1205, 6-RS	23.00	5", 6"	\$647.00



Design and dimensions are subject to modification. Prices do not include applicable taxes. Visit [www.mifab.com](http://www.mifab.com) for the most recent product information.

MIFAB, Inc., 1321 West 119th Street, Chicago, Illinois 60643-5109, USA

Toll Free 1-800-465-2736, Fax 773-341-3049

All sales subject to MIFAB's Terms and Warranties. Please refer to inside front cover.